

One-Touch
Fittings /
Miniature Fittings

P.1087

+ New Specs



Straight, Hex, Male Connector
P.1089

+ New Specs



Elbow, Hex, Male Connector
P.1090

+ New Specs



Straight, Round, Male Connector
P.1091



Hex, Female Connector
P.1092



Bulkhead, Female Threaded
P.1093



Elbow, Hex, Male Connector
P.1094

+ New Specs



Hex, Swivel Male Elbow
P.1095

+ New Specs



Bulk Head Union
P.1096

+ New Specs



Union Straight,
Equal Dia. / Unequal Dia.
P.1097~P.1098

+ New Specs



Union Elbow,
Push To Connect
P.1099

+ New Specs



Union T Push To Connect
P.1100~P.1101



Male Branch T Push To Connect
P.1102

+ New Specs



Union Y Push To Connect
P.1103~P.1104

+ New Specs



Male Branch Y Push To Connect
P.1105

+ New Specs



Union Cross Push To Connect
P.1106



Double Union Y Push To Connect,
Unequal Dia.
P.1107

+ New Specs



Triple Union T Push To Connect,
Unequal Dia.
P.1108

+ New Specs



Blind Plug
P.1109

New Products



Reducer Straight
P.1110



Miniature, Straight, Hex,
Male Connector
P.1111



Miniature, Elbow, Hex,
Male Connector
P.1112



Miniature, Straight, Round,
Male Connector
P.1113



Swivel Joints Straight, Hex,
Male Connector
P.1114



Swivel Joints Elbow, Hex,
Male Connector
P.1115

One-Touch Fittings
Brass / Compressing
Fittings Brass / Screw-In
Plugs Brass

P.1116

New Products



Straight, Hex,
Male Connector
P.1116

New Products



Elbow, Hex,
Male Connector
P.1117

New Products



Straight, Hex,
Female Connector
P.1118

New Products



Straight, Round,
Male Connector
P.1119

One-Touch Fittings
Brass / Compressing
Fittings Brass / Screw-In
Plugs Brass

P.1116

New
Products



Bulkhead Union
P.1120

New
Products



Union Elbow /
Straight, Push To Connect
P.1121~P.1122

New
Products



Union T Push To Connect
P.1123

New
Products



Union Y Push To Connect
P.1124

New
Products



Straight, Male Connector
P.1125

New
Products



Elbow, Male Connector
P.1126

New
Products



Bulk Head Joint
P.1127

New
Products



Elbow Joint
P.1128

New
Products



Straight Joint
P.1129

New
Products



Tees
P.1130

New
Products



Hex Socket, Male Threaded
P.1131

New
Products



Hex Head, Male Threaded
P.1132

One-Touch Fittings Stainless
Steel / Compressing Fittings
Stainless Steel / Screw-In
Plugs Stainless Steel

P.1133

New
Products



Straight, Hex,
Male Connector
P.1133

New
Products



Elbow, Hex,
Male Connector
P.1134

New
Products



Straight, Round,
Male Connector
P.1135

New
Products



Straight, Hex,
Female Connector
P.1136

New
Products



Bulk Head Union
P.1137

New
Products



Union Elbow,
Push To Connect
P.1138~P.1139

New
Products



Union T Push To Connect
P.1140

New
Products



Union Y Push To Connect
P.1141

New
Products



Male Connector
P.1142

New
Products



Elbow, Male Connector
P.1143

New
Products



Bulk Head
P.1144

New
Products



Elbow Joint
P.1145

New
Products



Straight Joint
P.1146

New
Products



Tees
P.1147

New
Products



Hex Socket, Male Threaded
P.1148

New
Products



Hex Head, Male Threaded
P.1149

Speed
Controllers /
Hand Valves

P.1150



Elbow Type
P.1150



In-Line Type
P.1151

New
Products



Brass Meter-Out,
One-Touch Type
P.1152

New
Products



Brass Meter-Out,
Screw-In Type
P.1153

New
Products



Stainless Steel Meter-Out,
One-Touch Type
P.1154

New
Products



One-Touch Fitting /
Male Thread
P.1155



Union Straight
P.1156

Tubes

P.1157

New
Specs



Polyurethane PU
P.1157

New
Products



Nylon PA
P.1158

New
Products



Teflon PTFE
P.1159

New
Products



Polyether Grade PU
P.1160

Brass
Screw-In
Fittings

P.1161

New
Products



Male / Female Elbows, Equal Dia. /
Bushing, Unequal Dia.
P.1161

New
Products



Nipple, Equal Dia. /
Unequal Dia.
P.1162

New
Products



Male Threaded Elbow, Equal Dia. /
Reducer, Unequal Dia.
P.1163

New
Products



Tees, Equal Dia. /
Nipple T, Equal Dia.
P.1164

New
Products



Female / Male T, Equal Dia. /
Bushing, Equal Dia.
P.1165

New
Products



Elbow, Equal Dia. /
Male Plug
P.1166

New
Products



Female Cap /
Reducer, Unequal Dia.
P.1167

New
Products



Sleeve, Equal Dia.
P.1168

Stainless
Steel Screw-In
Fittings / Brass
Hose Fittings

P.1169

New
Products



Bushing, Unequal Dia. /
Nipple, Unequal Dia.
P.1169

New
Products



Elbow, Equal Dia. /
Tees, Equal Dia.
P.1170

New
Products



Male / Female Elbows, Equal Dia. /
Sleeve, Equal Dia.
P.1171

New
Products



40 Degree Elbow, Equal Dia. /
Sleeve, Unequal Dia.
P.1172

New
Products



Tees, Unequal Dia. /
Nipple, Equal Dia.
P.1173

New
Products



Brass Nipple / Joint
P.1174~P.1175

New
Products



Stainless Nipple / Joint
P.1176

Recommended Best Seller Fitting·Tube Products

- Commonly used market specifications are available, and the complete set of pneumatic components can be purchased, saving time and labor.
- MISUMI quality assured.
- Large stock and short delivery time.

01 One-Touch Fitting × 31 P.1089



Applicable tube O.D. 6mm
Connecting thread nominal 1(R1/8)
PACK-MEPC6-1

749
THB/pack

Quantity	Unit price	Total price
1	749	749
4	637	2,548

02 Brass Screw-In Fittings × 15 P.1162



Material: #58-03 Brass
Connecting Thread Nominal R1/8
E-SJSRN6A

33
THB/pcs

Quantity	Unit price	Total price
10	33	330
30	28	840

03 One-Touch Fitting Stainless Steel × 37 P.1134



Material Stainless Steel 316
Applicable tube O.D. 6mm
Connecting Thread Nominal 1(R1/8)
E-PACK-MSSPL6-1

2,213
THB/pack

Quantity	Unit price	Total price
1	2,213	2,213
4	1,882	7,528

04 Stainless Steel Screw-In Fittings × 10 P.1173



Material Stainless Steel 304
Connecting Thread Nominal R1/8
E-SUTNRJ6A-304

94
THB/pcs

Quantity	Unit price	Total price
5	94	470
30	80	2,400

05 Tube × 4 P.1157



Color Black
O.D. 6mm
Length 200m
MET6-200-B

2,472
THB/roll

Quantity	Unit price	Total price
1	2,472	2,472
4	2,102	8,408

06 Stainless Steel Screw-In Fittings × 10 P.1169



Material Stainless Steel 304
Connecting Thread Nominal R1/8
E-SUTPB12-304

73
THB/pcs

Quantity	Unit price	Total price
1	73	73
30	62	1,860

* All products prices are without tax. For prices reference, please visit MISUMI official website.

* The reference price is estimated based on the quantity or approximate length of the product used in the example, and is not calculated as a starting price.

Economy series Fittings / Tubes

Plastic, Brass & Stainless Steel Materials provided in total 72 series!

Wide range of categories

Quality assured

All in stock



New Products

vs Standard Type

Saving up to

84%

Features 1 The specifications and categories have increased significantly, fully meet various design requirements.

Plastic One-Touch Fittings 31 Series	Brass One-Touch Fittings 19 Series	Stainless Steel One-Touch Fittings 18 Series	Nylon / Teflon / Polyurethane / Polyether Tubes 4 Series
<p>Maximum Dia, 16mm New Specs</p>	<p>New Products</p>	<p>New Products</p>	<p>New Products</p>

Features 2 Strict material selection, strict test, and safety use

New Products The following two major features are fully guaranteed

Sealing Performance 1

Used glue imported from Japan to guarantee pressure
Brass 2.5MPa, Stainless Steel 3MPa

Corrosion Resistance 2

Strict selected materials of standard brass and stainless steel
(Resolutely eliminating recycled materials)
Salt Spray Test:
Brass SUS304→48H, SUS316→72H

New Products Consistent Quality Assurance

Reference Parameters for Operating Environment

Item	Fitting Material		
	Plastic (P.1089~P.1115)	Brass (P.1116~P.1132)	Stainless Steel (P.1133~P.1149)
Fluid Used	Air	Air, steam, water	Air, steam, water, drugs
Sealing Material	Nitrile Rubber NBR	Fluoro Rubber FKM70	Fluoro Rubber FKM70
Operating Temperature Range	0~60°C	-5~150°C	-5~200°C
Ultimate Temperature Resistance Range	80°C	-40~240°C	-40~240°C
Operating Pressure Range	-100KPa~1MPa	-100KPa~1.2MPa	-100KPa~1.2MPa
Pressure Resistance	1.5MPa	2.5MPa	3MPa
Corrosion Resistance	▲	○	◎
Use of Grease	Yes	Yes	Yes
Thread Sealing Glue	Yes	No	Yes
Mating Tube Material	Polyurethane (PU)-P.1157 Polyether Grade (Tubes)-P.1160	Polyurethane (PU)-P.1157 Nylon (PA)-Pressure Resistance-P.1158	Polyurethane (PU)-P.1157 Nylon (PA)-Pressure Resistance-P.1158 Teflon (PTFE)-Temperature & Pressure Resistance-P.1159

* Please confirm the operating pressure and temperature ranges of the tubes

▲→Average ○→Good ◎→Excellent

16

Fittings / Tubes

Plastic Fittings

P.1087

Brass Fittings / Plugs

P.1116

Stainless Steel Fittings / Plugs

P.1133

Speed Controllers / Hand Valves / Tubes

P.1150

Stainless Steel Screw-In Fittings / Brass Hose Fittings

P.1161

Economy series Screw-In Fittings

Brass, Stainless Steel & Thread
Hose Fitting in total 41 series!

Complete specifications

Quality assured

Short Lead Time



Features 1 Product specifications are complete and meet design requirements in all aspects.

Brass Total 17 Series

New Products



90° Elbow

Hose Fittings

Unequal Dia. Screw-In Fittings

Stainless Steel 304/316 Total 24 Series

New Products



Hex Screw-In Fittings

Hose Fittings

Screw-In Fittings Sleeve

Features 2 Product quality is fully guaranteed through product testing in strict accordance with industry regulations

Water Pressure Test: Sealing Assurance

Material	Brass		Stainless Steel (304/316)	
	Max. pressure published in the catalog	5MPa		12MPa
Industry standard test pressure	15MPa		36MPa	
Product/test pressure	Generic products on the market	Economy Series	Generic products on the market	Economy Series
Water Pressure: 8	Leaking	OK	OK	OK
Water Pressure: 15	-	OK	OK	OK
Water Pressure: 24	-	-	Leaking	OK
Water Pressure: 36	-	-	-	OK

* "-": Test Aborted

* Industry standard test pressure: 3 times the maximum pressure published in the catalog based on industry experience value

* The hose fitting, due to its use with the hose, has a published pressure of 3.45MPa (hose withstand pressure)

Salt Spray Test: Corrosion Resistance Assurance

Material	Brass		Stainless Steel			
			304		316	
Test Item	Generic products on the market	Economy Series	Generic products on the market	Economy Series	Generic products on the market	Economy Series
Test Subject Solution	Sodium Chloride Solution		Sulfur Dioxide Solution			
Test Time (48H)	Rusty	OK	OK	OK	OK	OK
Test Time (72H)	-	-	Rusty	OK	Rusty	OK
Test Time (96H)	-	-	-	-	-	OK
Equivalent time in daily environment	Less than 1 year	3 years and above	Less than 3 year	3 years and above	Less than 3 year	4 years and above

* "-": Test Aborted

* The equivalent time in daily environment is the estimated time based on the experience value, for reference only

Applicable Environment Reference Parameters

Material	Brass	Stainless Steel	
		304	316
Applicable Fluid	Water, steam, oil	Water, steam, oil, chemicals	Water, steam, oil, chemicals, pharmaceuticals
Applicable Temperature Range	-50~150°C	-50~800°C	-50~800°C
Maximum Operating Pressure	5MPa	12MPa	12MPa
Corrosion Resistance	▲	○	◎
Recommended Applicable Industries	3C and other traditional electronic industries	Emerging industries such as new energy, semiconductor, and medical * 316 is especially suitable for highly corrosive liquids such as chemicals and pharmaceuticals	

*▲: Average ○: Good ◎: Excellent

16

Fittings / Tubes

Plastic Fittings

P.1087

Brass Fittings / Plugs

P.1116

Stainless Steel Fittings / Plugs

P.1133

Speed Controllers / Hand Valves / Tubes

P.1150

Stainless Steel Screw-In Fittings / Brass Hose Fittings

P.1161

+ New Specs

Representative model: PACK-MEPC6-1

Save Up to **58%** vs Standard Type

Shipping from **1 day**



749 THB

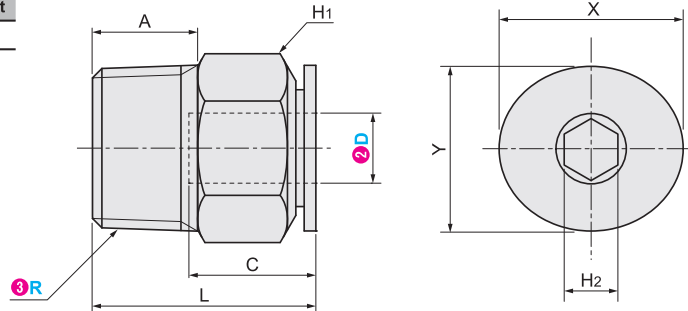
Volume Discount

Quantity	1~3	4~5	6~
Discount	Unit Price	15%	30%



Shipping days may differ by Quantity.
Quantity of volume discount above is for representative Part No. It may differ by the Part.

Material	Surface Treatment
Brass	Nickel Plating



Part Number		③Connecting Thread Nominal R	Thread Size R	L	A	C	Width Across H1	H2 Hexagon Socket	X	Y		
①Type	②Applicable Tube O.D. D											
PACK-MEPC (20~50 pcs included)	4	M5	M5	20	3.5	15	10	2	12	10		
		1	R1/8								7.5	
		2	R1/4								9.5	
	6	6	M5	M5	21	3.5	16	12	4	14	13	
			1	R1/8								7.5
			2	R1/4								9.5
			3	R3/8								10.5
	8	8	M5	M5	23.7	3.5	18	14	5	16	14	
			1	R1/8								7.5
			2	R1/4								9.5
			3	R3/8								10.5
	10	10	M5	M5	25.7	3.5	20	17	6	19	17	
			1	R1/8								7.5
			2	R1/4								9.5
			3	R3/8								10.5
	12	12	M5	M5	26.9	3.5	23	21	8	23	20	
			1	R1/8								7.5
			2	R1/4								9.5
			3	R3/8								10.5
	16	16	M5	M5	31.2	3.5	24	24	10	27	24	
			1	R1/8								7.5
			2	R1/4								9.5
			3	R3/8								10.5

Ordering Example

Please order after selecting part number and parameters according to the selection steps ① to ③.

Part Number (①Type · ②Applicable Tube O.D. D) - ③Connecting Thread Nominal R
PACK-MEPC6 - 1

How to search on website

By Type: Search on MISUMI official website
PACK-MEPC

By Keyword: Step 1 Search on MISUMI official website
fitting straight

Step 2 Select MISUMI economy series brand
 MISUMI **MISUMI economy**

MISUMI contact

Tel: 038-959200 or 1382
 Email: cs@misumi.co.th

MISUMI WEB "Chat"



Install MISUMI APP



16

Fittings / Tubes

Plastic Fittings

P.1087

Brass Fittings / Plugs

P.1116

Stainless Steel Fittings / Plugs

P.1133

Speed Controllers / Hand Valves / Tubes

P.1150

Stainless Steel Screw-in Fittings / Brass Hose Fittings

P.1161

+ New Specs



Representative model: PACK-MEPL6-1

Save Up to **60%** vs Standard Type

1,063 THB

Shipping from **1 day**

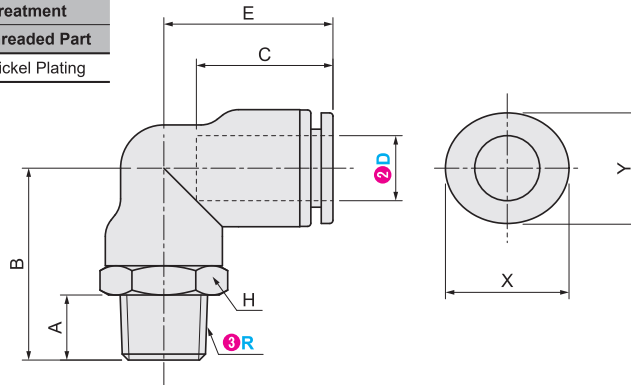
Volume Discount

Quantity	1~3	4~5	6~
Discount	Unit Price	15%	30%



Shipping days may differ by Quantity.
Quantity of volume discount above is for representative Part No. It may differ by the Part.

Material		Surface Treatment	
Body	Threaded Part	Body	Threaded Part
PBT	Brass	-	Nickel Plating



Part Number		③ Connecting Thread Nominal R	Thread Size R	E	B	A	C	Width Across H	X	Y
① Type	② Applicable Tube O.D. D									
PACK-MEPL (20~50 pcs included)	4	M5	M5	18	19	3.5	16	10	12	10
		1	R1/8		17	7.5				
		2	R1/4	18.8	20	9.5				
	6	M5	M5	19.3	21	3.5	17	10	14	13
		1	R1/8		19	7.5				
		2	R1/4	22.5	10					
		3	R3/8	22	10.5					
	8	M5	M5	19.8	25.5	13.5	19	21	16	14
		1	R1/8		22.8	26.5		3.5		
		2	R1/4	24.7	7.5					
		3	R3/8	23.2	10					
	10	M5	M5	22	24	11	21	14	19	17
		1	R1/8		22.8	26.2		13.5		
		2	R1/4	28	8					
		3	R3/8	29.5	10					
	12	M5	M5	26	26.5	11	24.5	21	23	20
		1	R1/8		27	28.2		13.5		
		2	R1/4	30.3	28	7.5				
		3	R3/8	30	32	10				
	16	M5	M5	30	30	14	24	21	27	24
		1	R1/8		29.6	28.5		11		
		2	R1/4	30	31	14				
		3	R3/8	43	9.5					
	16	M5	M5	33	44	10.5	24	24	27	24
1		R1/8	47		13.5					

Ordering Example

Please order after selecting part number and parameters according to the selection steps ① to ③.

Part Number (①Type · ②Applicable Tube O.D. D) - ③Connecting Thread Nominal R
 PACK-MEPL - 1



By Type Search on MISUMI official website
 PACK-MEPL

By Keyword Step 1 Search on MISUMI official website
 fitting elbow

Step 2 Select MISUMI economy series brand
 MISUMI MISUMI economy

MISUMI contact

Tel: 038-959200 or 1382
 Email: cs@misumi.co.th

MISUMI WEB "Chat"



Install MISUMI APP



+ New Specs

Representative model: PACK-MEPOC6-1

Save Up to **54%** vs Standard Type

Shipping from **1 day**



947 THB

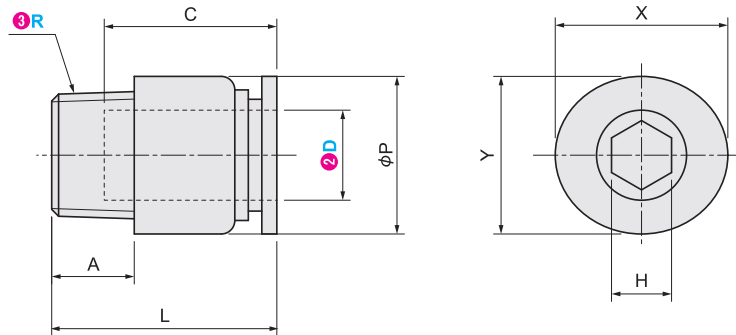
Volume Discount

Quantity	1~3	4~5	6~
Discount	Unit Price	15%	30%



Shipping days may differ by Quantity.
Quantity of volume discount above is for representative Part No. It may differ by the Part.

Material	Surface Treatment
Brass	Nickel Plating



Part Number		③ Connecting Thread Nominal R	Thread Size R	L	A	C	φP	H Hexagon Socket	X	Y
① Type	Applicable Tube O.D. ② D									
PACK-MEPOC (20~50 pcs included)	4	M5	M5	20	4	15	10	2	12	10
		1	R1/8		8		3			
		2	R1/4	18.2	9.5		13.5			
	6	M5	M5	21	4	16	12	2	14	13
		1	R1/8		8		4			
		2	R1/4		10		13.5			
		3	R3/8		19.1		10.5	17		
	8	M5	M5	23.7	3.5	18	14	2	16	14
		1	R1/8		8		5			
		2	R1/4		25		10	6		
		3	R3/8		11		17			
	10	M5	M5	28	10	20	17	5	20	17
		1	R1/8		29.4		8	6		
		2	R1/4		10		8			
		3	R3/8		11		21			
	12	M5	M5	30	11	23	20	5	23	20
		1	R1/8		31.2		7.5	6		
		2	R1/4		10		8			
		3	R3/8		11		21			
	16	M5	M5	37	9.5	24	24	6	27	24
		1	R1/8		38		10.5	8		
		2	R1/4		10		8			
		3	R3/8		11		21			
	16	M5	M5	39.5	13.5	24	24	6	27	24
1		R1/8	38		10.5		8			
2		R1/4	10		8					
3		R3/8	11		21					

Ordering Example

Please order after selecting part number and parameters according to the selection steps ① to ③.

Part Number (① Type · ② Applicable Tube O.D. D) - ③ Connecting Thread Nominal R
 PACK-MEPOC6 - 1

How to search on website



By Type Search on MISUMI official website
 PACK-MEPOC

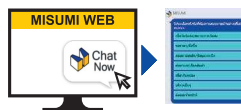
By Keyword Step 1 Search on MISUMI official website
 fitting straight

Step 2 Select MISUMI economy series brand
 MISUMI MISUMI economy

MISUMI contact

Tel: 038-959200 or 1382
 Email: cs@misumi.co.th

MISUMI WEB "Chat"



Install MISUMI APP



16
 Fittings / Tubes
 Plastic Fittings
 P.1087
 Brass Fittings / Plugs
 P.1116
 Stainless Steel Fittings / Plugs
 P.1133
 Speed Controllers / Hand Valves / Tubes
 P.1150
 Stainless Steel Screw-in Fittings / Brass Hose Fittings
 P.1161

Representative model: E-PACK-MPCF6-1



Save Up to **32%** vs Standard Type

Shipping from **1 day**

1,713 THB

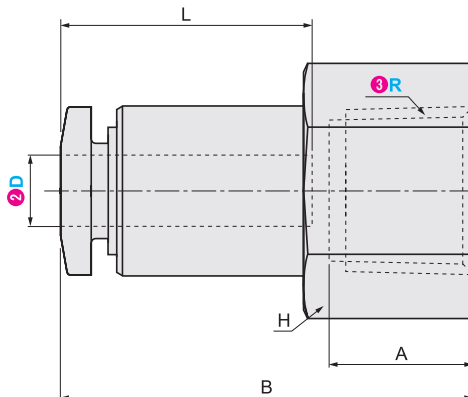
Volume Discount

Quantity	1~3	4~5	6~
Discount	Unit Price	15%	30%



Shipping days may differ by Quantity.
Quantity of volume discount above is for representative Part No. It may differ by the Part.

Material	Surface Treatment
Brass	Nickel Plating



Part Number		Connecting Thread Nominal	Thread Size R	A	B	L	Width Across H	
1 Type	Applicable Tube O.D. 2 D	3 R					H	
E-PACK-MPCF (50 pcs included)	4	M5	M5	5.5	21.3	14.8	10	
		1	Rc1/8	8.5	24.3		14	
		2	Rc1/4	11	26.8		17	
	6	M5	M5	5.5	21.8	15.8	12	
		1	Rc1/8	8.5	25.3		14	
		2	Rc1/4	11	27.8		17	
	8	8	1	Rc1/8	8.5	27	17.3	14
			2	Rc1/4	11	29		17
			3	Rc3/8	12	30		19
	10	10	2	Rc1/4	8.5	29	19.6	17
			3	Rc3/8	11	31.6		19
			4	Rc1/2	12	32.6		19
12	12	2	Rc1/4	11	34.1	22.2	21	
		3	Rc3/8	12	35.1		24	
		4	Rc1/2	14	37.1		24	

Ordering Example

Please order after selecting part number and parameters according to the selection steps 1 to 3.

Part Number (1 Type · 2 Applicable Tube O.D. D) - 3 Connecting Thread Nominal R
E-PACK-MPCF6 - 1

How to search on website



By Type Search on MISUMI official website
E-PACK-MPCF

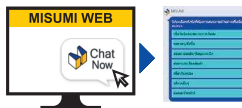
By Keyword Step 1 Search on MISUMI official website
fitting bulkhead

Step 2 Select MISUMI economy series brand
 MISUMI MISUMI economy

MISUMI contact

Tel: 038-959200 or 1382
Email: cs@misumi.co.th

MISUMI WEB "Chat"



Install MISUMI APP



Representative model: E-PACK-MPMF6-1

Save Up to **30%**
vs Standard Type

Shipping
from
1 day



2,500 THB

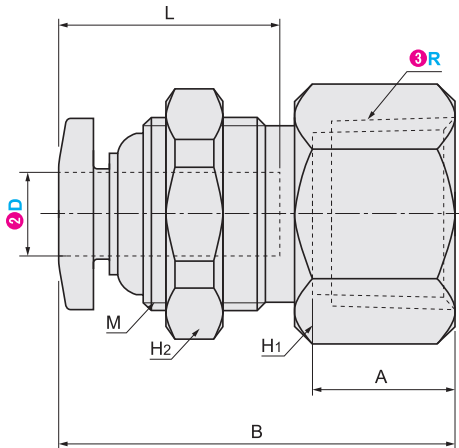
Volume Discount

Quantity	1~3	4~5	6~
Discount	Unit Price	15%	30%



Shipping days may differ by Quantity.
Quantity of volume discount above is for representative Part No. It may differ by the Part.

Material	Surface Treatment
Brass	Nickel Plating



Part Number		Connecting Thread Nominal ③R	Thread Size R	A	B	M	L	Width Across		
①Type	Applicable Tube O.D. ②D							H1	H2	
E-PACK-MPMF (50 pcs included)	4	M5	M5	5.5	21.5	M12	14.8	14	14	
		1	Rc1/8	8.5	24.5					
	6	1	Rc1/8	8.5	25.8	M14	15.8	17	17	
		2	Rc1/4	11	28.2					
	8	1	Rc1/8	8.5	27	M16	17.3	19	19	
		2	Rc1/4	11	30.5					
	10	1	Rc1/8	8.5	28.6	M20	19.6	24	24	
		2	Rc1/4	11	32.1					
	12	3	Rc3/8	12.5	33.6	M22	22.2	27	27	
		2	Rc1/4	11	34.4					
			3	Rc3/8	12.5	35.4				
			4	Rc1/2	14	37.4				

Ordering Example

Please order after selecting part number and parameters according to the selection steps ① to ③.

Part Number (①Type · ②Applicable Tube O.D. D) - ③Connecting Thread Nominal R
E-PACK-MPMF6 - 1

How to search on website



By Type Search on MISUMI official website
E-PACK-MPMF

By Keyword Step 1 Search on MISUMI official website
fitting bulkhead

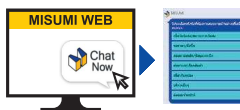
Step 2 Select MISUMI economy series brand

MISUMI MISUMI economy

MISUMI contact

Tel: 038-959200 or 1382
Email: cs@misumi.co.th

MISUMI WEB "Chat"



Install MISUMI APP





Representative model: E-PACK-MPLL6-1

Save Up to **71%** vs Standard Type

1,779 THB

Shipping from **1 day**

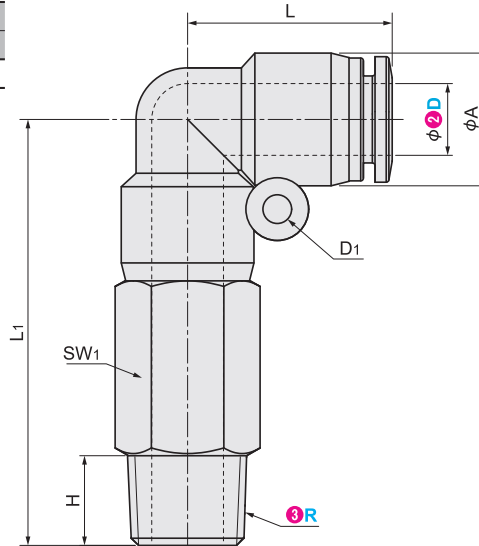
Volume Discount

Quantity	1~3	4~5	6~
Discount	Unit Price	15%	30%



Shipping days may differ by Quantity.
Quantity of volume discount above is for representative Part No. It may differ by the Part.

Material		Surface Treatment	
Body	Threaded Part	Body	Threaded Part
PBT	Brass	-	Nickel Plating



Part Number		Connecting Thread Nominal	Thread Size	SW1	L1	L	A	D1	Width Across H		
①Type	Applicable Tube O.D. ②D	③R	R								
E-PACK-MPLL (50 pcs included)	4	M5	M5	3.5	34	18.8	11.3	3.2	10		
		1	R1/8	7.5	37						
	6	M5	M5	3.5	37	19.3	13.3		3.2	12	
		2	R1/4	9.5	42.5						
	8	M5	M5	3.5	45	22.8	15		4.2	14	
		2	R1/4	9.5	47						
	10	M5	M5	3.5	54.3	28	18.7	4.2		17	
		2	R1/4	9.5	56.3						
	12	M5	M5	3.5	57.3	29.8	21.3			4.2	21
		3	R3/8	10.5	57.3						
	12	M5	M5	3.5	61.5	29.8	21.3		4.2		21
		3	R3/8	10.5	62.5						
12	M5	M5	3.5	65.5	29.8	21.3	4.2	21			
	4	R1/2	13.5	65.5							

Ordering Example

Please order after selecting part number and parameters according to the selection steps ① to ③.

Part Number (①Type · ②Applicable Tube O.D. D) - ③Connecting Thread Nominal R
E-PACK-MPLL6 - 1

How to search on website



By Type Search on MISUMI official website
E-PACK-MPLL

By Keyword Step 1 Search on MISUMI official website
fitting elbow

Step 2 Select MISUMI economy series brand

MISUMI MISUMI economy

MISUMI contact

Tel: 038-959200 or 1382
Email: cs@misumi.co.th

MISUMI WEB "Chat"



Install MISUMI APP



+ New Specs



Representative model: E-PACK-MPH6-1

Save Up to **67%** vs Standard Type

1,525 THB

Shipping from **1 day**

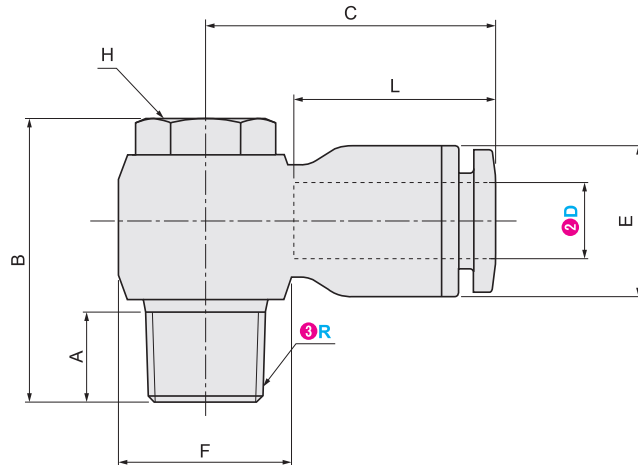
Volume Discount

Quantity	1~3	4~5	6~
Discount	Unit Price	15%	30%

CAD 2D 3D

Shipping days may differ by Quantity.
Quantity of volume discount above is for representative Part No. It may differ by the Part.

Material		Surface Treatment	
Body	Threaded Part	Body	Threaded Part
PBT	Brass	-	Nickel Plating



Part Number		③ Connecting Thread Nominal R	Thread Size R	A	B	C	E	F	L	Width Across H	Weight (g)	
① Type	② Applicable Tube O.D. D											
E-PACK-MPH (50 pcs included)	4	M5	M5	3.5	17.2	20	10.5	10	15.3	8	6.6	
		M6	M6×1	4.5	18.1							
	6	1	R1/8	R1/8	7.5	24	22.5	14.4	16.7	10	12	
			M5	M5×0.8	3.5	17.2						
		2	M6	M6×1	4.5	18.1	12.5	18.3	19.1	14	22	
			R1/8	R1/8	7.5	24						24.1
			R1/4	R1/4	9.5	26.3						26.2
	3	R3/8	R3/8	10.5	32	29.5	22	19	37.4			
		8	1	R1/8	7.5	24	26.1	14.4	10	12		
			2	R1/4	9.5	26.3	29.2	18.3	14	23.4		
	10	3	R3/8	10.5	32	30	22	19	41.9			
		1	R1/8	7.5	24	28.4	14.4	10	15.7			
2		R1/4	9.5	26.3	32	18.3	21.2	14	25.5			
12	3	R3/8	10.5	32	33.5	22	19	43				
	2	R1/4	9.5	26.3	35.2	18.3	14	27				
	3	R3/8	10.5	32	37.3	20.4	22	24.4	19	45		
	4	R1/2	13.5	38.6	38.8	28	24	74				

Ordering Example

Please order after selecting part number and parameters according to the selection steps ① to ③.

Part Number (①Type · ②Applicable Tube O.D. D) - ③Connecting Thread Nominal R
E-PACK-MPH6 - 1

How to search on website



By Type Search on MISUMI official website
E-PACK-MPH

By Keyword Step 1 Search on MISUMI official website
fitting univ elbow

Step 2 Select MISUMI economy series brand
MiSUMI economy

MISUMI contact

Tel: 038-959200 or 1382
Email: cs@misumi.co.th

MISUMI WEB "Chat"



Install MISUMI APP



+ New Specs



Representative model: E-PACK-MPM6

Save Up to **30%** vs Standard Type

2,800 THB

Shipping from **1 day**

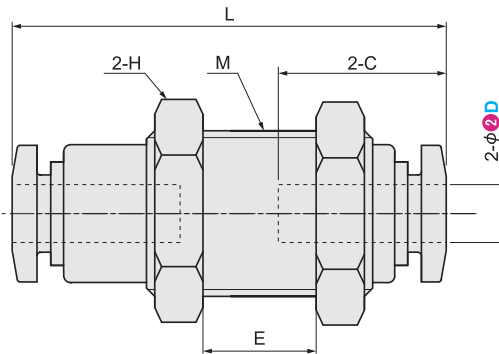
Volume Discount

Quantity	1~3	4~5	6~
Discount	Unit Price	15%	30%



Shipping days may differ by Quantity.
Quantity of volume discount above is for representative Part No. It may differ by the Part.

Material	Surface Treatment
Brass	Nickel Plating



Part Number		C	E	L	Width Across H	Thread Size M	Weight (g)
① Type	Applicable Tube O.D. ② D						
E-PACK-MPM (20~50 pcs included)	4	14.8	8.2	31.5	14	M12×1	15
	6	15.8	8.3	33.1	17	M14×1	20.5
	8	17.3	7.8	35.5	19	M16×1	26
	10	19.6	10.3	40.2	24	M20×1	40
	12	22.2	14	45.4	27	M22×1	62
	16	25	16.3	51.5	30	M26×1	84.4

Ordering Example

Please order after selecting part number and parameters according to the selection steps ① to ②.

Part Number (① Type · ② Applicable Tube O.D. D)
E-PACK-MPM6

How to search on website



By Type Search on MISUMI official website
E-PACK-MPM

By Keyword Step 1 ▶ Search on MISUMI official website
fitting bulk union

Step 2 ▶ Select MISUMI economy series brand
 MISUMI **MISUMI economy**

MISUMI contact

Tel: 038-959200 or 1382
Email: cs@misumi.co.th

MISUMI WEB "Chat"



Install MISUMI APP



+ New Specs



Representative model: PACK-MEPU6

Save Up to **79%** vs Standard Type

624 THB

Shipping from **1 day**

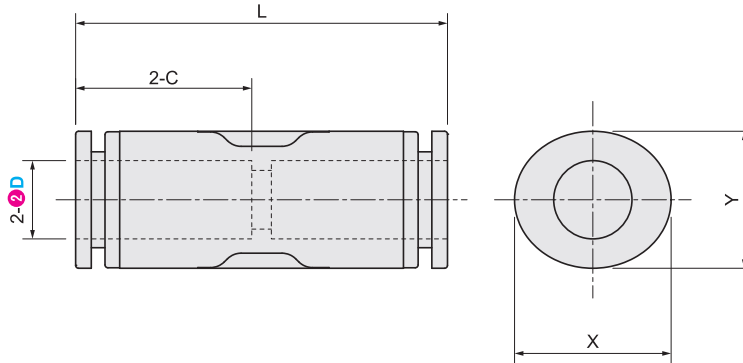
Volume Discount

Quantity	1~3	4~5	6~
Discount	Unit Price	15%	30%



Shipping days may differ by Quantity.
Quantity of volume discount above is for representative Part No. It may differ by the Part.

Material
Body
PBT



Part Number		L	C	X	Y
1 Type	Applicable Tube O.D. 2 D				
PACK-MEPU (20~50 pcs included)	4	33	15	12	10
	6	35	16	14	13
	8	38	18	16	14
	10	43	21	19	17
	12	46	23	23	20
	16	50.5	24	27	24

Ordering Example

Please order after selecting part number and parameters according to the selection steps 1 to 2.

Part Number (1 Type · 2 Applicable Tube O.D. D)
PACK-MEPU6

How to search on website



By Type
Search on MISUMI official website
PACK-MEPU

By Keyword
Step 1 Search on MISUMI official website
union straight

Step 2 Select MISUMI economy series brand
 MISUMI MISUMI economy

MISUMI contact

Tel: 038-959200 or 1382
Email: cs@misumi.co.th

MISUMI WEB "Chat"



Install MISUMI APP



16

Fittings / Tubes

Plastic Fittings

P.1087

Brass Fittings / Plugs

P.1116

Stainless Steel Fittings / Plugs

P.1133

Speed Controllers / Hand Valves / Tubes

P.1150

Stainless Steel Screw-In Fittings / Brass Hose Fittings

P.1161

+ New Specs

Representative model: PACK-MEPG6-4

Save Up to **80%** vs Standard Type

Shipping from **1 day**



657 THB

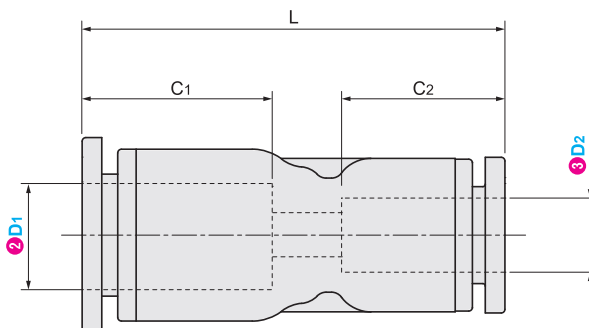
Volume Discount

Quantity	1~3	4~5	6~
Discount	Unit Price	15%	30%



Shipping days may differ by Quantity.
Quantity of volume discount above is for representative Part No. It may differ by the Part.

Material
Body
PBT



Part Number		Applicable Tube O.D. ③ D2	C1	C2	L
① Type	Applicable Tube O.D. ② D1				
PACK-MEPG (20~50 pcs included)	6	4	16	14	34.5
	8	4	18		37
	8	6		21	16
	10	6	18		18
	10	8		23	
	12	8	24		23
	12	10		23	
	16	12	24		23

Ordering Example

Please order after selecting part number and parameters according to the selection steps ① to ③.

Part Number (① Type · ② Applicable Tube O.D. D1) - ③ Applicable Tube O.D. D2
PACK-MEPG6 - 4



By Type Search on MISUMI official website
PACK-MEPG

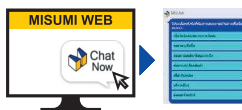
By Keyword Step 1 Search on MISUMI official website
union straight

Step 2 Select MISUMI economy series brand
 MISUMI MISUMI economy

MISUMI contact

Tel: 038-959200 or 1382
 Email: cs@misumi.co.th

MISUMI WEB "Chat"



Install MISUMI APP



+ New Specs



Representative model: PACK-MEPV6

Save Up to **79%** vs Standard Type

624 THB

Shipping from **1 day**

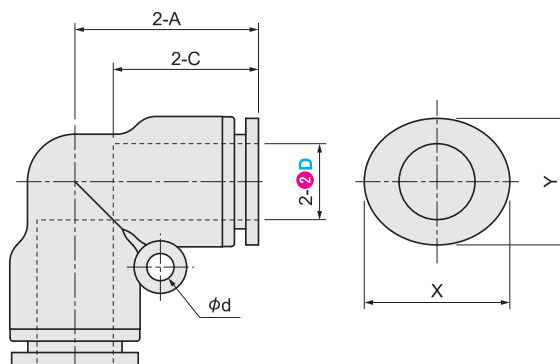
Volume Discount

Quantity	1~3	4~5	6~
Discount	Unit Price	15%	30%



Shipping days may differ by Quantity.
Quantity of volume discount above is for representative Part No. It may differ by the Part.

Material
Body
PBT



Part Number		A	C	X	Y	d
1 Type	Applicable Tube O.D. 2 D					
PACK-MEPV (20~50 pcs included)	4	18	15	12	10	3.2
	6	19	16	14	13	
	8	23	18	16	14	
	10	27	21	19	17	4.2
	12	29	23	23	20	
	16	33.5	24	27	24	

Ordering Example

Please order after selecting part number and parameters according to the selection steps 1 to 2.

Part Number (1 Type · 2 Applicable Tube O.D. D)
PACK-MEPV6

How to search on website



By Type Search on MISUMI official website
PACK-MEPV

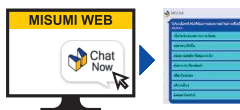
By Keyword Step 1 ▶ Search on MISUMI official website Step 2 ▶ Select MISUMI economy series brand
union elbow

MISUMI MISUMI economy

MISUMI contact

Tel: 038-959200 or 1382
Email: cs@misumi.co.th

MISUMI WEB "Chat"



Install MISUMI APP



+ New Specs



Representative model: PACK-MEPE6

Save Up to **79%** vs Standard Type

807 THB

Shipping from **1 day**

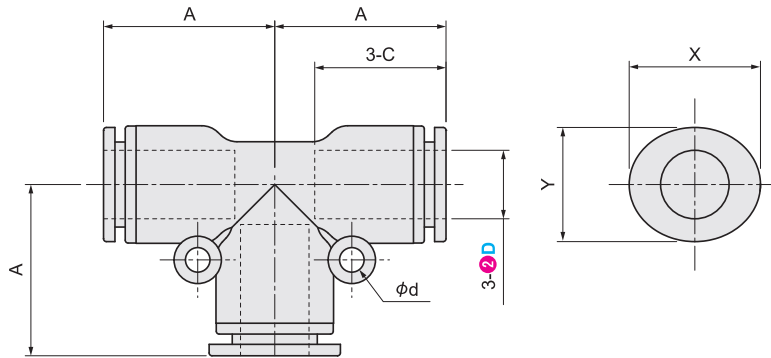
Volume Discount

Quantity	1~3	4~5	6~
Discount	Unit Price	15%	30%



Shipping days may differ by Quantity.
Quantity of volume discount above is for representative Part No. It may differ by the Part.

Material
Body
PBT



Part Number		A	C	X	Y	d
1 Type	Applicable Tube O.D. 2 D					
PACK-MEPE (20~50 pcs included)	4	18	15	12	10	3.2
	6	19	15	14	13	
	8	22	18	16	14	
	10	26.5	21	19	17	4.2
	12	30	23	23	20	
	16	32	24	27	24	

Ordering Example

Please order after selecting part number and parameters according to the selection steps 1 to 2.

Part Number (1 Type · 2 Applicable Tube O.D. D)
PACK-MEPE6

How to search on website



By Type Search on MISUMI official website
PACK-MEPE

By Keyword Step 1 Search on MISUMI official website
union t

Step 2 Select MISUMI economy series brand
 MISUMI MISUMI economy

MISUMI contact

Tel: 038-959200 or 1382
Email: cs@misumi.co.th

MISUMI WEB "Chat"



Install MISUMI APP



+ New Specs



Representative model: E-PACK-MPEG8-6

Save Up to **75%** vs Standard Type

1,095 THB

Shipping from 1 day

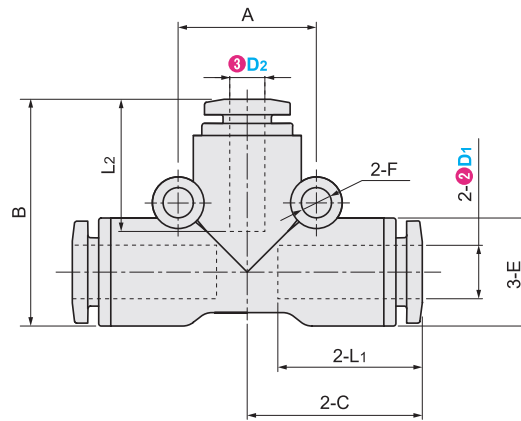
Volume Discount

Quantity	1~3	4~5	6~
Discount	Unit Price	15%	30%



Shipping days may differ by Quantity.
Quantity of volume discount above is for representative Part No. It may differ by the Part.

Material
Body
PBT



Part Number		Applicable Tube O.D.	A	B	C	E	F	L1	L2	Weight (g)
1 Type	2 D1	3 D2								
E-PACK-MPEG (20~50 pcs included)	6	4	16	26.3	20.2	12.5	3.2	16.7	15.3	9
	8	4		27	23	15	3.3	19		9.1
	8	6	18	30	23.5	14		4.3	19.1	16.7
	10	6	20	32	25.5	18.4	21.2		19.1	
	10	8	24	37	26.8	18		24		20
	12	8	21.5		29.5	21	24.4		21.2	
	12	10	27	41	30.8	20.4		23.6		21.2
	16	12	30.5	44	32.5	26.3	5		23.6	39

Ordering Example

Please order after selecting part number and parameters according to the selection steps 1 to 3.
Part Number (1 Type · 2 Applicable Tube O.D. D1) - (3 Applicable Tube O.D. D2)
E-PACK-MPEG8 - 6

How to search on website



By Type Search on MISUMI official website
E-PACK-MPEG

By Keyword Step 1 Search on MISUMI official website
union t

Step 2 Select MISUMI economy series brand
 MISUMI **MISUMI economy**

MISUMI contact

Tel: 038-959200 or 1382
 Email: cs@misumi.co.th

MISUMI WEB "Chat"



Install MISUMI APP



16

Fittings / Tubes

Plastic Fittings

P.1087

Brass Fittings / Plugs

P.1116

Stainless Steel Fittings / Plugs

P.1133

Speed Controllers / Hand Valves / Tubes

P.1150

Stainless Steel Screw-in Fittings / Brass Hose Fittings

P.1161

Representative model: E-PACK-MPB6-1

Save Up to **63%** vs Standard Type

Shipping from **1 day**



1,486 THB

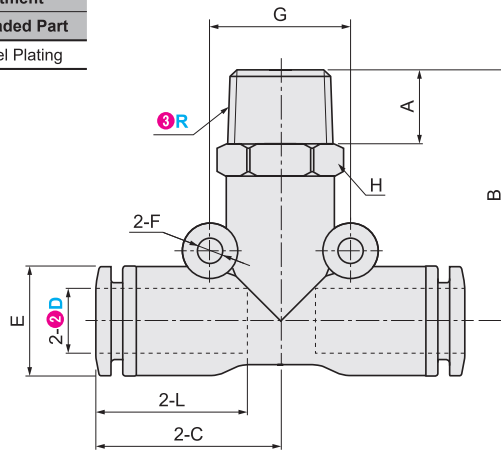
Volume Discount

Quantity	1~3	4~5	6~
Discount	Unit Price	15%	30%



Shipping days may differ by Quantity.
Quantity of volume discount above is for representative Part No. It may differ by the Part.

Material		Surface Treatment	
Body	Threaded Part	Body	Threaded Part
PBT	Brass	-	Nickel Plating



Part Number		Connecting Thread Nominal ③R	Thread Size R	A	B	C	G	F	E	L	Width Across H	
①Type	Applicable Tube O.D. ②D											
E-PACK-MPB (50 pcs included)	4	M5	M5×0.8	3.5	21.8	18	14	3.3	10.5	15.3	10	
		1	R1/8	7.5	24.3							
	6	1	M5	M5×0.8	3.5	23.8	20.3	16	3.2	12.5	16.7	12
		2	R1/4	9.5	29.3							
	8	8	1	R1/8	7.5	30	23.5	18	3.3	14	19.1	14
			2	R1/4	9.5	32						
			3	R3/8	10.5	33.5						
	10	10	1	R1/8	7.5	33.8	26.8	24	4.3	18	21.2	17
			2	R1/4	9.5	35.9						
			3	R3/8	10.5	36.9						
	12	12	2	R1/4	9.5	39.5	30.8	27	4.3	20.4	24.4	21
			3	R3/8	10.5	40.5						
4			R1/2	13.5	43.5							

Ordering Example

Please order after selecting part number and parameters according to the selection steps ① to ③.
Part Number (①Type · ②Applicable Tube O.D. D) - ③Connecting Thread Nominal R
E-PACK-MPB6 - 1



By Type Search on MISUMI official website
E-PACK-MPB

By Keyword Step 1 Search on MISUMI official website
branch t

Step 2 Select MISUMI economy series brand
 MISUMI **MISUMI economy**

MISUMI contact

Tel: 038-959200 or 1382
Email: cs@misumi.co.th

MISUMI WEB "Chat"



Install MISUMI APP



+ New Specs



Representative model: PACK-MEPY6

Save Up to **80%** vs Standard Type

808

THB

Shipping from **1 day**

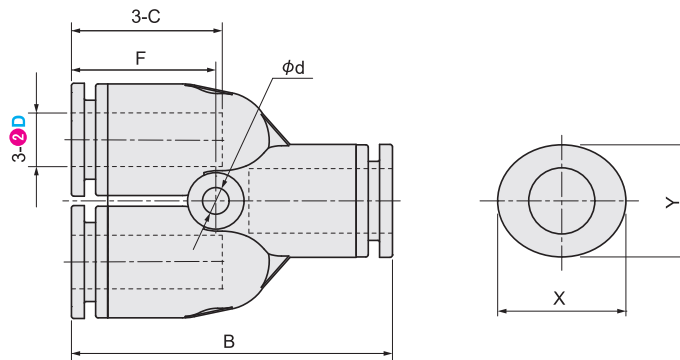
Volume Discount

Quantity	1~3	4~5	6~
Discount	Unit Price	15%	30%



Shipping days may differ by Quantity.
Quantity of volume discount above is for representative Part No. It may differ by the Part.

Material
Body
PBT



Part Number		B	F	C	d	X	Y
1 Type	2 Applicable Tube O.D. D						
PACK-MEPY (20~50 pcs included)	4	36	14	15	3.2	12	10
	6	37	16	16		14	13
	8	42	17	17		16	14
	10	48.5	19.5	20	4.2	19	17
	12	54.5	29	23		23	20
	16	58.5	22.5	24		5.2	27

Ordering Example

Please order after selecting part number and parameters according to the selection steps 1 to 2.

Part Number (1 Type · 2 Applicable Tube O.D. D)
PACK-MEPY6

How to search on website



By Type: Search on MISUMI official website
PACK-MEPY

By Keyword: Step 1 Search on MISUMI official website Step 2 Select MISUMI economy series brand
union y

MISUMI MISUMI economy

MISUMI contact

Tel: 038-959200 or 1382
Email: cs@misumi.co.th

MISUMI WEB "Chat"



Install MISUMI APP



+ New Specs



Representative model: E-PACK-MPW8-6

Save Up to **75%** vs Standard Type

Shipping from **1 day**

1,090 THB

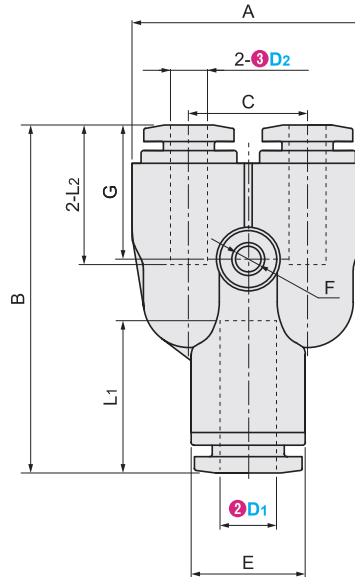
Volume Discount

Quantity	1~3	4~5	6~
Discount	Unit Price	15%	30%



Shipping days may differ by Quantity.
Quantity of volume discount above is for representative Part No. It may differ by the Part.

Material
Body
PBT



Part Number		Applicable Tube O.D.	A	B	C	E	F	G	L1	L2	Weight (g)
1 Type	Applicable Tube O.D. 2 D1	3 D2									
E-PACK-MPW (20~50 pcs included)	6	4	25.5	38.2	13	12.5	3.2	14.7	16.7	15.3	9
	8	4	25.7	39.3		15		15.5	18.2		
	8	6	29	42.9	15	14	3.3	19.2	19.1	16.7	12.7
	10	6	29.7	45.6		18		17	20.8		13.9
	10	8	36	49	18	4.3	20.5	21.2	19.1	19	
	12	8		52	15.8		21	21.5	24	20	20.6
	12	10	41.5	54.8	21	20.4	22	24.4	21.2	28	
	16	12	50.5	64.5	24	26	5.2	28	24	24	77

Ordering Example

Please order after selecting part number and parameters according to the selection steps 1 to 3.

Part Number (1 Type · 2 Applicable Tube O.D. D1) - 3 Applicable Tube O.D. D2
E-PACK-MPW8 - 6

How to search on website



By Type Search on MISUMI official website
E-PACK-MPW

By Keyword Step 1 Search on MISUMI official website Step 2 Select MISUMI economy series brand
union y

MISUMI MISUMI economy

MISUMI contact

Tel: 038-959200 or 1382
 Email: cs@misumi.co.th

MISUMI WEB "Chat"



Install MISUMI APP





Representative model: E-PACK-MPX6-1

Save Up to **64%**
vs Standard Type

Shipping
from
1 day

1,497 THB

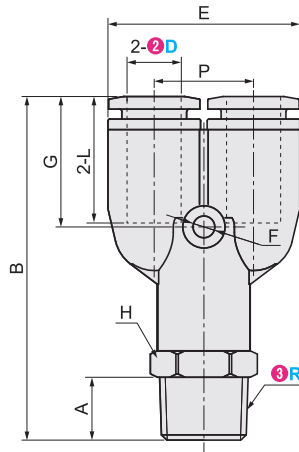
Volume Discount

Quantity	1~3	4~5	6~
Discount	Unit Price	15%	30%



Shipping days may differ by Quantity.
Quantity of volume discount above is for representative Part No. It may differ by the Part.

Material		Surface Treatment	
Body	Threaded Part	Body	Threaded Part
PBT	Brass	-	Nickel Plating



Part Number	Connecting Thread Nominal	Thread Size	A	B	G	F	E	P	L	Width Across				
											Type	Applicable Tube O.D.	R	H
E-PACK-MPX	M5	M5×0.8	3.5	39.7	14.2	3.3	21.5	11	15.3	10				
											1	R1/8	7.5	42.2
	M5	M5×0.8	3.5	42	15	3.2	26	13	15.9	12				
											1	R1/8	7.5	45
	M5	M5×0.8	3.5	49.9	19.7	3.3	29	15	19.1	14				
											2	R1/4	9.5	47.5
	M5	M5×0.8	3.5	51.9	20.5	4.3	36	18	21.2	17				
											1	R1/8	7.5	56
											2	R1/4	9.5	58.1
	M5	M5×0.8	3.5	59.1	22.8	4.3	21	41.5	24.4	21				
											3	R3/8	10.5	53.4
											2	R1/4	9.5	64.3
M5	M5×0.8	3.5	68.3	22.8	4.3	21	41.5	24.4	21					
										3	R3/8	10.5	65.3	
M5	M5×0.8	3.5	68.3	22.8	4.3	21	41.5	24.4	21					
										4	R1/2	13.5	68.3	

Ordering Example

Please order after selecting part number and parameters according to the selection steps 1 to 3.

Part Number (1Type · 2Applicable Tube O.D. D) - 3Connecting Thread Nominal R
E-PACK-MPX6 - 1

How to search on website



By Type

Search on MISUMI official website

E-PACK-MPX



By Keyword

Step 1 Search on MISUMI official website

branch y



Step 2 Select MISUMI economy series brand

MISUMI



MISUMI contact

Tel: 038-959200 or 1382
Email: cs@misumi.co.th

MISUMI WEB "Chat"



Install MISUMI APP





Representative model: E-PACK-MPZA8

Save Up to **76%**
vs Standard Type

Shipping
from
1 day

1,560 THB

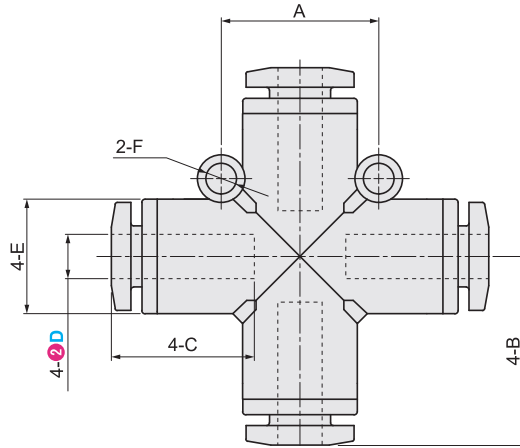
Volume Discount

Quantity	1~3	4~5	6~
Discount	Unit Price	15%	30%



Shipping days may differ by Quantity.
 Quantity of volume discount above is for representative Part No. It may differ by the Part.

Material
Body
PBT



Part Number		C	B	E	A	F
①Type	Applicable Tube O.D. ②D					
E-PACK-MPZA (50 pcs included)	4	15.3	19.2	12.5	14	3.3
	6	16.7	20.5	12.5	16	3.2
	8	19.1	22.8	14	18	3.3
	10	21.2	27.3	18	24	4.3
	12	24.4	29.6	20.4	27	4.3

Ordering Example

Please order after selecting part number and parameters according to the selection steps ① to ②.

Part Number (①Type · ②Applicable Tube O.D. D)
E-PACK-MPZA8

How to search on website



By Type

Search on MISUMI official website

E-PACK-MPZA

By Keyword

Step 1 ▶ Search on MISUMI official website

union cross

Step 2 ▶ Select MISUMI economy series brand

MiSUMI



MISUMI contact

Tel: 038-959200 or 1382
Email: cs@misumi.co.th

MISUMI WEB "Chat"



Install MISUMI APP



16

Fittings / Tubes

Plastic Fittings

P.1087

Brass Fittings / Plugs

P.1116

Stainless Steel Fittings / Plugs

P.1133

Speed Controllers / Hand Valves / Tubes

P.1150

Stainless Steel Screw-in Fittings / Brass Hose Fittings

P.1161



Representative model: E-PACK-MPRG8-6

Save Up to **66%** vs Standard Type

1,030 THB



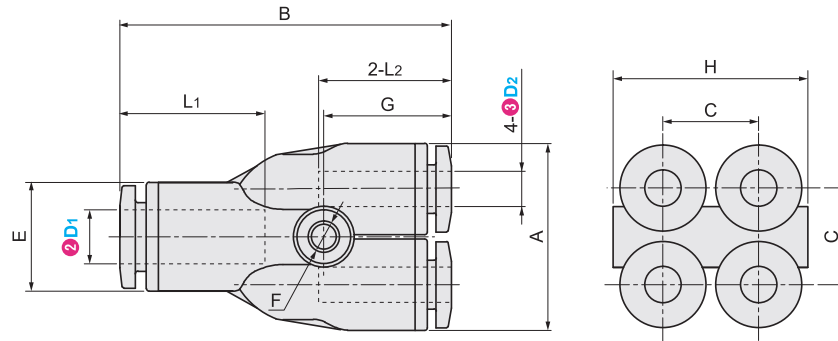
Volume Discount

Quantity	1~3	4~5	6~
Discount	Unit Price	15%	30%



Shipping days may differ by Quantity.
Quantity of volume discount above is for representative Part No. It may differ by the Part.

Material
Body
PBT



16 Fittings / Tubes Plastic Fittings

Brass Fittings / Plugs

Stainless Steel Fittings / Plugs

Speed Controllers / Hand Valves / Tubes

Stainless Steel Screw-in Fittings / Brass Hose Fittings

Part Number		Applicable Tube O.D.	A	B	C	E	F	G	H	L ₁	L ₂
1 Type	Applicable Tube O.D. 2 D ₁	Applicable Tube O.D. 3 D ₂									
E-PACK-MPRG (20 pcs included)	6	4	21.5	37	11	12.5	3.2	10	22.4	16.7	15.3
	8	6	25.5	39	13	14	3.3	14.7	26.3	19.1	16.7



Please order after selecting part number and parameters according to the selection steps 1 to 3.

Part Number (1 Type · 2 Applicable Tube O.D. D₁) - 3 Applicable Tube O.D. D₂
E-PACK-MPRG8 - 6

How to search on website



By Type Search on MISUMI official website
E-PACK-MPRG

By Keyword Step 1 Search on MISUMI official website
union y

Step 2 Select MISUMI economy series brand
 MISUMI **MISUMI economy**

MISUMI contact

Tel: 038-959200 or 1382
 Email: cs@misumi.co.th

MISUMI WEB "Chat"



Install MISUMI APP



Representative model: E-PACK-MPKG8-6



Save Up to **84%** vs Standard Type

1,197 THB

Shipping from **1 day**

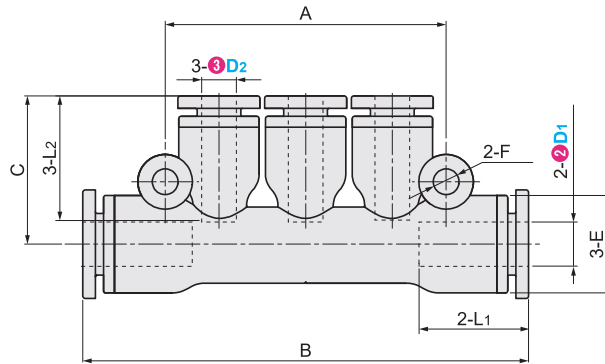
Volume Discount

Quantity	1~3	4~5	6~
Discount	Unit Price	15%	30%



Shipping days may differ by Quantity.
Quantity of volume discount above is for representative Part No. It may differ by the Part.

Material
Body
PBT



Part Number		Applicable Tube O.D. ③ D2	A	B	C	E	F	L1	L2
① Type	Applicable Tube O.D. ② D1								
E-PACK-MPKG (20 pcs included)	6	4	36	57.6	19	12.5	3.2	16.7	15.3
	8	6	42	62.6	20.3	14	3.3	19.1	16.7
	10	8	63	91	25	18	4.3	21.2	19.1

Ordering Example

Please order after selecting part number and parameters according to the selection steps ① to ③.

Part Number (① Type · ② Applicable Tube O.D. D1) - ③ Applicable Tube O.D. D2
E-PACK-MPKG8 - 6

How to search on website



By Type Search on MISUMI official website
E-PACK-MPKG

By Keyword Step 1 Search on MISUMI official website
union t

Step 2 Select MISUMI economy series brand
 MISUMI MISUMI economy

MISUMI contact

Tel: 038-959200 or 1382
Email: cs@misumi.co.th

MISUMI WEB "Chat"



Install MISUMI APP



One-Touch Fittings Blind Plug

+ New Specs

Representative model: PACK-MEPP6

Save Up to **81%** vs Standard Type

Shipping from **1 day**



340 THB

Volume Discount

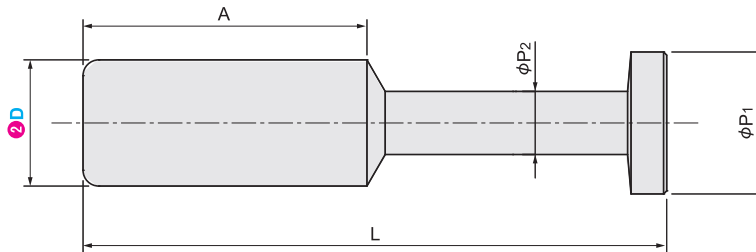
Quantity	1~3	4~5	6~
Discount	Unit Price	15%	30%



Shipping days may differ by Quantity.

Quantity of volume discount above is for representative Part No. It may differ by the Part.

Material
Body
PBT



16

Fittings / Tubes

Plastic Fittings

P.1087

Brass Fittings / Plugs

P.1116

Stainless Steel Fittings / Plugs

P.1133

Speed Controllers / Hand Valves / Tubes

P.1150

Stainless Steel Screw-In Fittings / Brass Hose Fittings

P.1161

Part Number		A	L	P ₁	P ₂
① Type	Applicable Tube O.D. ② D				
PACK-MEPP (20~50 pcs included)	4	15	28	5	3
	6	17	33	7	
	8	18	37	9	4
	10	21	42	11	5
	12	23	44	13	6
	16	24.5	45.5	15.5	8.8

Ordering Example

Please order after selecting part number and parameters according to the selection steps ① to ②.

Part Number (①Type · ②Applicable Tube O.D. D)
PACK-MEPP6

How to search on website



By Type Search on MISUMI official website
PACK-MEPP

By Keyword Step 1 ▶ Search on MISUMI official website
blind plug

Step 2 ▶ Select MISUMI economy series brand
 MISUMI MISUMI economy

MISUMI contact

Tel: 038-959200 or 1382
Email: cs@misumi.co.th

MISUMI WEB "Chat"



Install MISUMI APP



One-Touch Fittings Reducer Straight

New Products



Representative model: E-PACK-MPGJ6-4

Save Up to **54%**
vs Standard Type

Shipping
from
1 day

1,282 THB

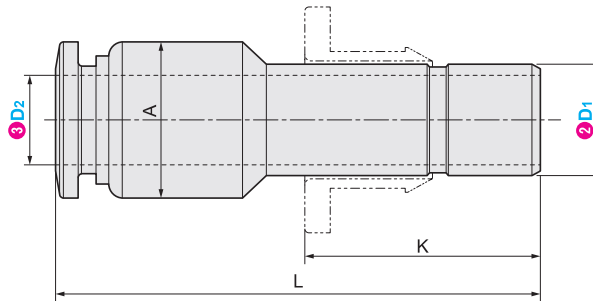
Volume Discount

Quantity	1~3	4~5	6~
Discount	Unit Price	15%	30%



Shipping days may differ by Quantity.
Quantity of volume discount above is for representative Part No. It may differ by the Part.

Material	Surface Treatment
Brass	Nickel Plating



Part Number		3 D2	A	L	K
1 Type	2 D1				
E-PACK-MPGJ (20~50 pcs included)	6	4	10	34.3	13
	8	4	10	33.3	14
	8	6	12	35.6	14
	10	6	12	37.1	17
	10	8	14	40.7	17
	12	10	17	46.5	19
	16	12	20	49.2	22

Ordering Example

Please order after selecting part number and parameters according to the selection steps 1 to 3.

Part Number (1 Type · 2 D1) - 3 D2
E-PACK-MPGJ6 - 4

How to search on website



By Type

Search on MISUMI official website

E-PACK-MPGJ

By Keyword

Step 1 Search on MISUMI official website

reducer

Step 2 Select MISUMI economy series brand

MISUMI



MISUMI contact

Tel: 038-959200 or 1382
Email: cs@misumi.co.th

MISUMI WEB "Chat"



Install MISUMI APP



16

Fittings / Tubes

Plastic Fittings

P.1087

Brass Fittings / Plugs

P.1116

Stainless Steel Fittings / Plugs

P.1133

Speed Controllers / Hand Valves / Tubes

P.1150

Stainless Steel Screw-in Fittings / Brass Hose Fittings

P.1161

Representative model: E-PACK-MNPC6-M5



Save Up to **44%** vs Standard Type

1,415 THB



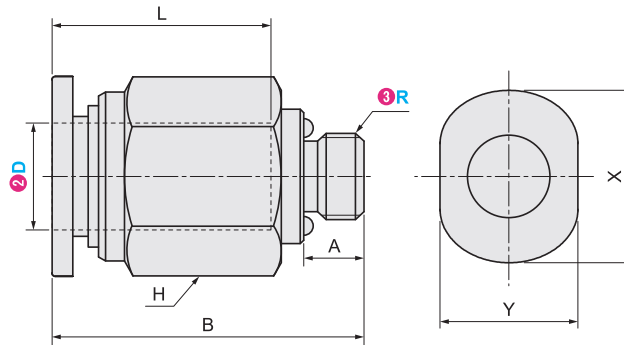
Volume Discount

Quantity	1~3	4~5	6~
Discount	Unit Price	15%	30%



Shipping days may differ by Quantity.
Quantity of volume discount above is for representative Part No. It may differ by the Part.

Material	Surface Treatment
Brass	Nickel Plating



Part Number		Connecting Thread Nominal ③R	Thread Size R	A	B	L	Width Across H	X	Y	
①Type	Applicable Tube O.D. ②D									
E-PACK-MNPC (50 pcs included)	4	M3	M3×0.5	3	16.7	12.2	8	10	8	
		M5	M5×0.8	3.5	17.3		8			
		M6	M6×1	4.5	18.4		9			
		1	R1/8	7.5	16.2					
6		M5	M5×0.8	3.5	17.4	12	10	11.6	9.7	
		M6	M6×1	4.5	18.8					
		1	R1/8	7.5	18.9					

Ordering Example

Please order after selecting part number and parameters according to the selection steps ① to ③.
Part Number (①Type · ②Applicable Tube O.D. D) - ③Connecting Thread Nominal R
E-PACK-MNPC6 - M5

How to search on website



By Type: Search on MISUMI official website
E-PACK-MNPC

By Keyword: Step 1 Search on MISUMI official website
fitting straight

Step 2 Select MISUMI economy series brand
 MISUMI MISUMI economy

MISUMI contact

Tel: 038-959200 or 1382
 Email: cs@misumi.co.th

MISUMI WEB "Chat"



Install MISUMI APP





Representative model: E-PACK-MNPL4-M5

Save Up to **68%**
vs Standard Type

Shipping
from
1 day

1,100 THB

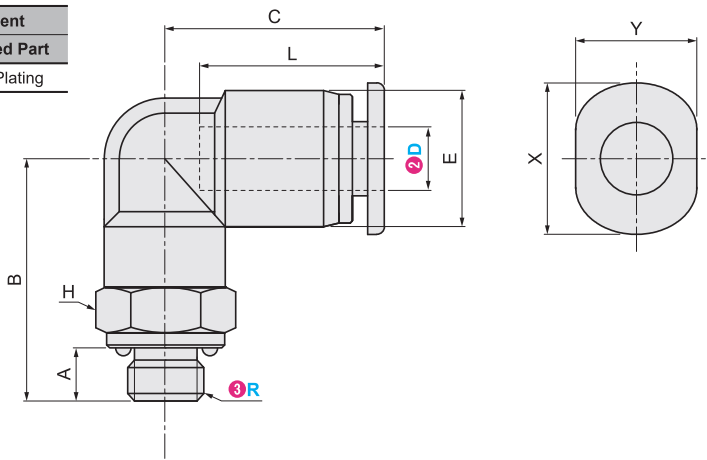
Volume Discount

Quantity	1~3	4~5	6~
Discount	Unit Price	15%	30%



Shipping days may differ by Quantity.
 Quantity of volume discount above is for representative Part No. It may differ by the Part.

Material		Surface Treatment	
Body	Threaded Part	Body	Threaded Part
PBT	Brass	-	Nickel Plating



Part Number		Connecting Thread Nominal ③R	Thread Size R	A	B	C	E	L	Width Across H	X	Y
①Type	Applicable Tube O.D. ②D										
E-PACK-MNPL (50 pcs included)	4	M3	M3×0.5	3	15.5	14.5	9.3	12.2	8	10	8
		M5	M5×0.8	3.5	16				10		
		M6	M6×1	4.5	17.5						
	6	1	R1/8	7.5	19.1	16.5	13	11.2	8	11.6	9.7
		M5	M5×0.8	3.5	16				10		
		M6	M6×1	4.5	17.5						
		1	R1/8	7.5	19.1						

Ordering Example

Please order after selecting part number and parameters according to the selection steps ① to ③.

Part Number (①Type · ②Applicable Tube O.D. D) - ③Connecting Thread Nominal R
E-PACK-MNPL4 - M5

How to search on website



By Type

Search on MISUMI official website

E-PACK-MNPL



By Keyword

Step 1 ▶ Search on MISUMI official website

fitting elbow



Step 2 ▶ Select MISUMI economy series brand

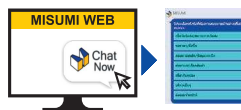
MISUMI



MISUMI contact

Tel: 038-959200 or 1382
Email: cs@misumi.co.th

MISUMI WEB "Chat"



Install MISUMI APP



Representative model: E-PACK-MNPOC4-M3



Save Up to **68%**
vs Standard Type

Shipping from **1 day**

1,146 THB

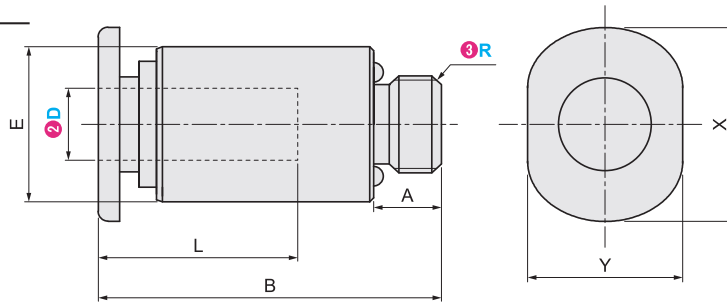
Volume Discount

Quantity	1~3	4~5	6~
Discount	Unit Price	15%	30%



Shipping days may differ by Quantity.
Quantity of volume discount above is for representative Part No. It may differ by the Part.

Material	Surface Treatment
Brass	Nickel Plating



Part Number		Connecting Thread Nominal ^③ R	Thread Size R	A	B	L	E	X	Y
^① Type	Applicable Tube O.D. ^② D								
E-PACK-MNPOC (50 pcs included)	4	M3	M3×0.5	3	16.7	12.2	8	10	8
		M5	M5×0.8	3.5	17.3				
		M6	M6×1	4.5	18.4		9		
		1	R1/8	7.5	16.2				
6	M5	M5×0.8	3.5	17.4	12	9.8	11.6	9.7	
	M6	M6×1	4.5	18.8					
	1	R1/8	7.5	18.9					

Ordering Example

Please order after selecting part number and parameters according to the selection steps ① to ③.
Part Number (①Type · ②Applicable Tube O.D. D) - ③Connecting Thread Nominal R
E-PACK-MNPOC4 - M3

How to search on website



By Type: Search on MISUMI official website
E-PACK-MNPOC

By Keyword: Step 1 ▶ Search on MISUMI official website
fitting straight

Step 2 ▶ Select MISUMI economy series brand
 MISUMI

MISUMI contact

Tel: 038-959200 or 1382
 Email: cs@misumi.co.th

MISUMI WEB "Chat"



Install MISUMI APP



Representative model: E-PACK-MNRC6-1



Save Up to **34%**
vs Standard Type

2,223 THB



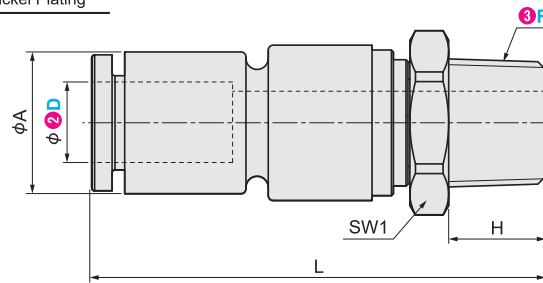
Volume Discount

Quantity	1~3	4~5	6~
Discount	Unit Price	15%	30%



Shipping days may differ by Quantity.
Quantity of volume discount above is for representative Part No. It may differ by the Part.

Material		Surface Treatment	
Body	Threaded Part	Body	Threaded Part
PBT	Brass	-	Nickel Plating



Part Number ①Type	Applicable Tube O.D. ②D	Connecting Thread Nominal ③R	Thread Size R	H	L	A	Width Across SW1	Allowable Rotational Speed (min ⁻¹)	Idling Torque (N-cm)	
E-PACK-MNRC (10 pcs included)	4	M5	M5	3.5	36.5	11	8	500	0.6	
		1	R1/8	7.5	38.3		12			
	6	M5	M5	3.5	37	13	8	400	1.2	
		1	R1/8	7.5	39.5		14			
	8	8	1	R1/8	7.5	44	15	17	300	1.5
			2	R1/4	10	47				
			3	R3/8	11	48				
	10	10	1	R1/8	7.5	51	18	22	250	2
			2	R1/4	10	53.5				
			3	R3/8	11	54.5				
	12	12	2	R1/4	10	56.5	21	22	250	3
			3	R3/8	11	57.5				
		4	R1/2	14	60.5					

Ordering Example

Please order after selecting part number and parameters according to the selection steps ① to ③.

Part Number (①Type · ②Applicable Tube O.D. D) - ③Connecting Thread Nominal R
E-PACK-MNRC6 - 1

How to search on website



By Type

Search on MISUMI official website

E-PACK-MNRC



By Keyword

Step 1 ▶ Search on MISUMI official website

swivel joint



Step 2 ▶ Select MISUMI economy series brand

MISUMI



MISUMI contact

Tel: 038-959200 or 1382
Email: cs@misumi.co.th

MISUMI WEB "Chat"



Install MISUMI APP





Representative model: E-PACK-MNRL6-1

Save Up to **34%**
vs Standard Type

Shipping
from
1 day

2,223 THB

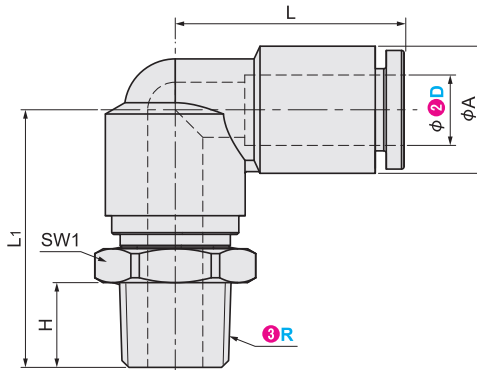
Volume Discount

Quantity	1~3	4~5	6~
Discount	Unit Price	15%	30%



Shipping days may differ by Quantity.
 Quantity of volume discount above is for representative Part No. It may differ by the Part.

Material		Surface Treatment	
Body	Threaded Part	Body	Threaded Part
PBT	Brass	-	Nickel Plating



Part Number ① Type	Applicable Tube O.D. ② D	Connecting Thread Nominal ③ R	Thread Size R	H	L1	A	L	Width Across SW1	Allowable Rotational Speed (min ⁻¹)	Idling Torque (N·cm)
4		M5	M5	3.5	21.5	11	21.3	12	500	0.6
		1	R1/8	7.5	23.3					
6		M5	M5	4	22	13	22.8	14	500	1.2
		1	R1/8	7.5	24.5					
8		1	R1/8	7.5	24.5	15	27	17	400	1.5
		2	R1/4	10	27.5					
10		1	R1/8	7.5	31	17.5	32	22	300	2
		2	R1/4	10	33.5					
		3	R3/8	11	34.5	18				
12		2	R1/4	10	34	21	34	24	200	3
		3	R3/8	11	35					
		4	R1/2	14	38					

Ordering Example

Please order after selecting part number and parameters according to the selection steps ① to ③.

Part Number (① Type · ② Applicable Tube O.D.) - ③ Connecting Thread Nominal R
E-PACK-MNRL6 - 1

How to search on website



By Type Search on MISUMI official website
E-PACK-MNRL

By Keyword Step 1 Search on MISUMI official website
swivel joint

Step 2 Select MISUMI economy series brand
 MISUMI MISUMI economy

MISUMI contact

Tel: 038-959200 or 1382
Email: cs@misumi.co.th

MISUMI WEB "Chat"



Install MISUMI APP



New Products



Representative model: E-PACK-MBPC6-2

Save Up to **53%**
vs Standard Type

782

THB

Shipping
from
1 day

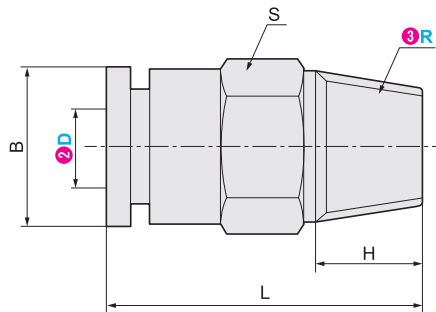
Volume Discount

Quantity	1~3	4~5	6~
Discount	Unit Price	15%	30%



Shipping days may differ by Quantity.
Quantity of volume discount above is for representative Part No. It may differ by the Part.

Part	Material	Surface Treatment
Body	Brass	Nickel Plating
Seal	FKM70	-



Part Number		③ Connecting Thread Nominal R	Thread Size R	B	L	H	S
① Type	② Applicable Tube O.D. D						
E-PACK-MBPC (5~20 pcs included)	4	M5	M5	8.5	19.4	4	8
		1	R1/8	8.8	15.9	7	10
		2	R1/4	8.8	18.4	9	14
		3	R3/8	8.8	20.9	11	17
	6	M5	M5	11.5	23	4	12
		1	R1/8	11.5	24.1	7	12
		2	R1/4	11.5	19.4	9	14
		3	R3/8	11.5	19.4	10	17
	8	M5	M5	13.8	24.1	4	14
		1	R1/8	13.8	26.6	7	14
		2	R1/4	13.8	26.6	9	14
		3	R3/8	13.8	20.6	10	17
	10	M5	M5	15.8	27.1	7	17
		1	R1/8	15.8	27.1	7	17
		2	R1/4	15.8	28.6	9	17
		3	R3/8	15.8	23.9	10	17
	12	M5	M5	18.5	26	7	19
		1	R1/8	18.5	26	7	19
		2	R1/4	18.5	31.8	9	19
		3	R3/8	18.5	29.8	10	19
	16	M5	M5	23.8	34.4	9	23
		2	R1/4	23.8	34.4	9	23
		3	R3/8	23.8	34.9	10	23
		4	R1/2	23.8	34.4	11	23

Ordering Example

Please order after selecting part number and parameters according to the selection steps ① to ③.
 Part Number (①Type · ②D) - ③R
 E-PACK-MBPC6 - 2



By Type Search on MISUMI official website
E-PACK-MBPC

By Keyword Step 1 Search on MISUMI official website
fitting straight

Step 2 Select MISUMI economy series brand
 MISUMI MISUMI economy

MISUMI contact

Tel: 038-959200 or 1382
Email: cs@misumi.co.th

MISUMI WEB "Chat"



Install MISUMI APP



New Products



Representative model: E-PACK-MBPL6-1

Save Up to **41%** vs Standard Type

1,582 THB

Shipping from **1 day**

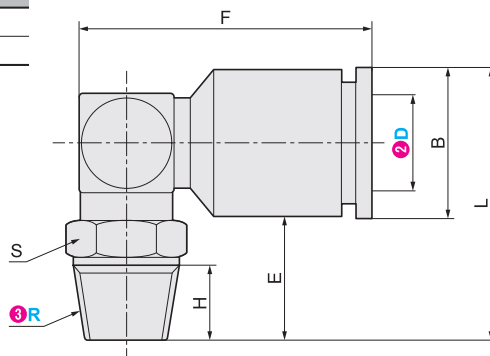
Volume Discount

Quantity	1~3	4~5	6~
Discount	Unit Price	15%	30%



Shipping days may differ by Quantity.
Quantity of volume discount above is for representative Part No. It may differ by the Part.

Part	Material	Surface Treatment
Body	Brass	Nickel Plating
Seal	FKM70	-



Part Number		③ Connecting Thread Nominal R	Thread Size R	B	E	F	L	H	S
① Type	② Applicable Tube O.D. D								
E-PACK-MBPL (5~20 pcs included)	4	M5	M5	8.8	13.1	22.8	21.8	4	8
		1	R1/8	8.8	14.1	22.8	22.8	7	10
		2	R1/4	8.8	16.6	22.8	25.3	9	14
	6	M5	M5	11.5	11.8	28.4	23.1	4	8
		1	R1/8	11.5	12.8	28.4	24.1	7	10
		2	R1/4	11.5	15.3	28.4	26.6	9	14
		3	R3/8	11.5	18.3	28.4	29.6	10	17
	8	M5	M5	13.8	14.7	31.6	28.5	4	12
		1	R1/8	13.8	17.5	31.6	30.9	7	12
		2	R1/4	13.8	17.5	31.6	30.9	9	14
		3	R3/8	13.8	20.5	31.6	33.9	10	17
	10	M5	M5	15.8	16.2	33.5	31.9	7	12
		1	R1/8	15.8	16.2	33.5	31.9	9	14
		2	R1/4	15.8	16.2	33.5	31.9	9	14
		3	R3/8	15.8	19.2	33.5	34.9	10	17
	12	M5	M5	18.5	15	36.7	33.2	7	12
		1	R1/8	18.5	15	36.7	33.2	7	12
		2	R1/4	18.5	15	36.7	33.2	9	14
		3	R3/8	18.5	18	36.7	36.2	10	17
	16	M5	M5	23.8	17.2	42.4	40.4	9	17
1		R1/8	23.8	17.2	42.4	40.4	10	17	
2		R1/4	23.8	17.2	42.4	40.4	10	17	
3		R3/8	23.8	17.7	42.4	40.9	10	17	
16	M5	M5	23.8	18.7	42.4	41.9	11	21	
	4	R1/2	23.8	18.7	42.4	41.9	11	21	

Ordering Example

Please order after selecting part number and parameters according to the selection steps ① to ③.
Part Number (①Type · ②D) - ③R
E-PACK-MBPL6 - 1

How to search on website



By Type Search on MISUMI official website
E-PACK-MBPL

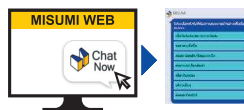
By Keyword Step 1 Search on MISUMI official website
fitting elbow

Step 2 Select MISUMI economy series brand
 MISUMI **MISUMI economy**

MISUMI contact

Tel: 038-959200 or 1382
 Email: cs@misumi.co.th

MISUMI WEB "Chat"



Install MISUMI APP



New Products



Representative model: E-PACK-MBPCF6-1

Save Up to **52%** vs Standard Type

997

THB

Shipping from **1 day**

Volume Discount

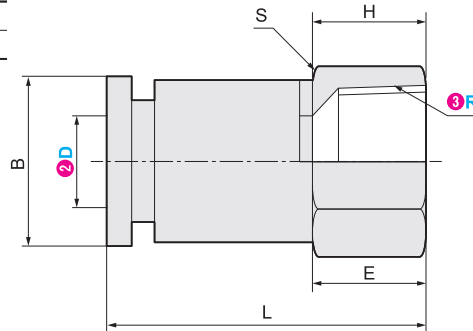
Quantity	1~3	4~5	6~
Discount	Unit Price	15%	30%



Shipping days may differ by Quantity.

Quantity of volume discount above is for representative Part No. It may differ by the Part.

Part	Material	Surface Treatment
Body	Brass	Nickel Plating
Seal	FKM70	-



Part Number		③ Connecting Thread Nominal R	Thread Size R	B	E	L	H	S
① Type	② Applicable Tube O.D. D							
E-PACK-MBPCF (10~20 pcs included)	4	M5	M5	8.8	6	19.6	5	8
		1	G1/8	8.8	9.8	22.6	8	12
		2	G1/4	8.8	11.8	24.6	10	15
	6	M5	M5	11.5	8	22.6	5	12
		1	G1/8	11.5	9.8	25.6	8	12
		2	G1/4	11.5	12.5	27.6	10	15
	8	3	G3/8	11.5	13	28.1	11	19
		4	G1/2	11.5	14.5	29.6	12	23
		1	G1/8	13.8	8	26.6	8	14
	10	2	G1/4	13.8	11.8	28.6	10	15
		3	G3/8	13.8	12.3	29.1	11	19
		4	G1/2	13.8	13.8	30.6	12	23
	12	1	G1/8	15.8	8	26.7	8	17
		2	G1/4	15.8	12	28.7	10	17
		3	G3/8	15.8	12.3	29.2	11	19
		4	G1/2	15.8	13.8	30.7	12	23
1		G1/8	18.5	8	28.4	8	19	
2		G1/4	18.5	11.8	30.4	10	19	
	3	G3/8	18.5	12.3	30.9	11	19	
	4	G1/2	18.5	13.8	32.4	12	23	

Ordering Example

Please order after selecting part number and parameters according to the selection steps ① to ③.

Part Number (①Type - ②D) - ③R
E-PACK-MBPCF6 - 1

How to search on website



By Type Search on MISUMI official website
E-PACK-MBPCF

By Keyword Step 1 Search on MISUMI official website
fitting straight

Step 2 Select MISUMI economy series brand
 MISUMI MISUMI economy

MISUMI contact

Tel: 038-959200 or 1382
Email: cs@misumi.co.th

MISUMI WEB "Chat"



Install MISUMI APP



New Products



Representative model: E-PACK-MBPOC6-1

Save Up to **50%** vs Standard Type

825

THB

Shipping from **1 day**

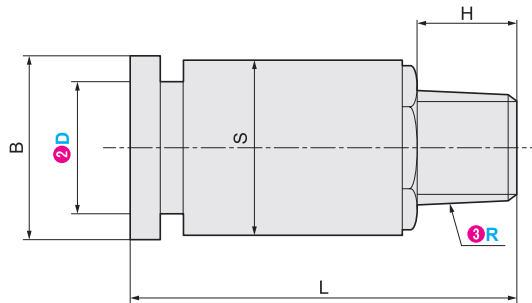
Volume Discount

Quantity	1~3	4~5	6~
Discount	Unit Price	15%	30%



Shipping days may differ by Quantity.
Quantity of volume discount above is for representative Part No. It may differ by the Part.

Part	Material	Surface Treatment
Body	Brass	Nickel Plating
Seal	FKM70	-



16

Fittings / Tubes

Plastic Fittings

P.1087

Brass Fittings / Plugs

P.1116

Stainless Steel Fittings / Plugs

P.1133

Speed Controllers / Hand Valves / Tubes

P.1150

Stainless Steel Screw-In Fittings / Brass Hose Fittings

P.1161

Part Number		③ Connecting Thread Nominal R	Thread Size R	B	L	Thread Length H	S
① Type	② Applicable Tube O.D. D						
E-PACK-MBPOC (5~20 pcs included)	4	M5	M5	8.5	19.2	4	7.8
		1	R1/8	8.8	15.9	7	9
		2	R1/4	8.8	16.5	9	9
		3	R3/8	8.8	17.1	10	9
	6	M5	M5	11.5	23	4	11.3
		1	R1/8	11.5	22.4	7	11.3
		2	R1/4	11.5	19.4	9	11.3
		3	R3/8	11.5	19.4	10	11.3
		4	R1/2	11.5	20.9	11	11.3
	8	M5	M5	13.8	24.6	4	13.5
		1	R1/8	13.8	26.6	7	13.5
		2	R1/4	13.8	23.6	9	13.5
		3	R3/8	13.8	20.6	10	13.5
	10	M5	M5	15.8	27.1	4	15.6
		1	R1/8	15.8	26.6	7	15.6
		2	R1/4	15.8	26.6	9	15.6
		3	R3/8	15.8	23.9	10	15.6
	12	M5	M5	18.5	29.8	4	18
		1	R1/8	18.5	29.8	7	18
		2	R1/4	18.5	31.8	9	18
3		R3/8	18.5	28.3	10	18	
16	M5	M5	23.8	34.4	4	22.5	
	1	R1/8	23.8	34.4	7	22.5	
	2	R1/4	23.8	34.4	9	22.5	
	3	R3/8	23.8	34.9	10	22.5	

Ordering Example

Please order after selecting part number and parameters according to the selection steps ① to ③.

Part Number (①Type · ②D) - (③R)
E-PACK-MBPOC6 - 1

How to search on website



By Type Search on MISUMI official website
E-PACK-MBPOC

By Keyword Step 1 Search on MISUMI official website
fitting straight

Step 2 Select MISUMI economy series brand
 MISUMI MISUMI economy

MISUMI contact

Tel: 038-959200 or 1382
Email: cs@misumi.co.th

MISUMI WEB "Chat"



Install MISUMI APP



New Products



Representative model: E-PACK-MBPM6

Save Up to **30%**
vs Standard Type

730

THB

Shipping
from
1 day

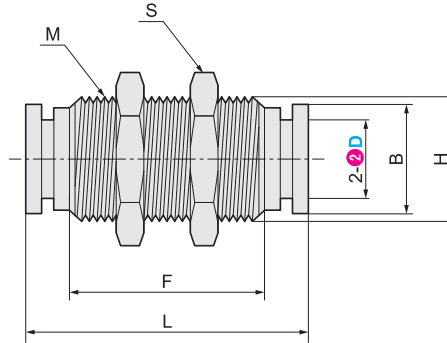
Volume Discount

Quantity	1~3	4~5	6~
Discount	Unit Price	15%	30%



Shipping days may differ by Quantity.
Quantity of volume discount above is for representative Part No. It may differ by the Part.

Part	Material	Surface Treatment
Body	Brass	Nickel Plating
Seal	FKM70	-



Part Number		B	F	L	S	H	M
① Type	② Applicable Tube O.D. D						
E-PACK-MBPM (5~10 pcs included)	4	8.8	19	28.3	12	10.2	10×1
	6	11.5	23	34.4	17	14.2	14×1
	8	13.8	25	36.2	19	16.2	16×1
	10	15.8	25	36.3	21	18.2	18×1
	12	18.5	29	40.3	23	20.2	20×1
	16	23.8	34.2	46.8	27	25.2	25×1

Ordering Example

Please order after selecting part number and parameters according to the selection steps ① to ②.

Part Number (①Type · ②D)
E-PACK-MBPM6

How to search on website



By Type
Search on MISUMI official website
E-PACK-MBPM

By Keyword
Step 1 ▶ Search on MISUMI official website
fitting bulkhead

Step 2 ▶ Select MISUMI economy series brand
 MISUMI **MISUMI economy**

MISUMI contact

Tel: 038-959200 or 1382
Email: cs@misumi.co.th

MISUMI WEB "Chat"



Install MISUMI APP



16

Fittings / Tubes

Plastic Fittings

P.1087

Brass Fittings / Plugs

P.1116

Stainless Steel Fittings / Plugs

P.1133

Speed Controllers / Hand Valves / Tubes

P.1150

Stainless Steel Screw-in Fittings / Brass Hose Fittings

P.1161

New Products



Representative model: E-PACK-MBPV6

Save Up to **30%** vs Standard Type

1,160 THB

Shipping from **1 day**

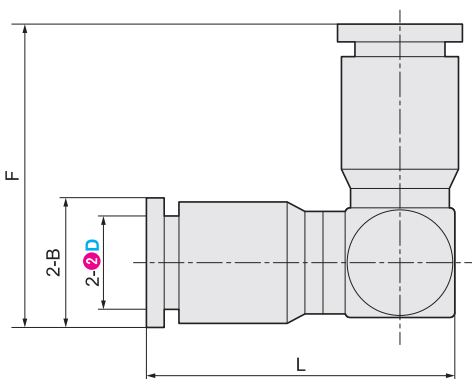
Volume Discount

Quantity	1~3	4~5	6~
Discount	Unit Price	15%	30%



Shipping days may differ by Quantity.
Quantity of volume discount above is for representative Part No. It may differ by the Part.

Part	Material	Surface Treatment
Body	Brass	Nickel Plating
Seal	FKM70	-



16

Fittings / Tubes

Plastic Fittings

P.1087

Brass Fittings / Plugs

P.1116

Stainless Steel Fittings / Plugs

P.1133

Speed Controllers / Hand Valves / Tubes

P.1150

Stainless Steel Screw-In Fittings / Brass Hose Fittings

P.1161

Part Number		B	F	L
① Type	② Applicable Tube O.D. D			
E-PACK-MBPV (10~20 pcs included)	4	8.8	22.8	24.8
	6	11.5	29.8	30.4
	8	13.8	32.5	34.1
	10	15.8	35.4	36
	12	18.5	40	39.3

Ordering Example

Please order after selecting part number and parameters according to the selection steps ① to ②.

Part Number (①Type · ②Applicable Tube O.D. D)
E-PACK-MBPV6

How to search on website



By Type

Search on MISUMI official website

E-PACK-MBPV

By Keyword

Step 1 Search on MISUMI official website

union elbow

Step 2 Select MISUMI economy series brand

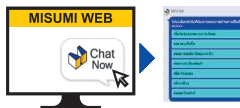
MISUMI



MISUMI contact

Tel: 038-959200 or 1382
Email: cs@misumi.co.th

MISUMI WEB "Chat"



Install MISUMI APP



New Products



Representative model: E-PACK-MBPU6-6

Save Up to **30%**
vs Standard Type

Shipping
from
1 day

1,120 THB

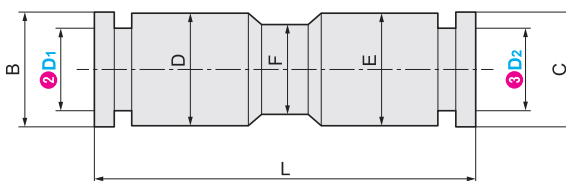
Volume Discount

Quantity	1~3	4~5	6~
Discount	Unit Price	15%	30%



Shipping days may differ by Quantity.
Quantity of volume discount above is for representative Part No. It may differ by the Part.

Part	Material	Surface Treatment
Body	Brass	Nickel Plating
Seal	FKM70	-



Type	Part Number		Applicable Tube O.D. D2	B	C	D	E	F	L	
	Type	Applicable Tube O.D. D1								
E-PACK-MBPU (5~20 pcs included)	4	4	4	8.8	8.8	8.5	8.5	7	28.3	
		6	4	11.5	8.8	11.3	8.5	-	31.2	
	6	6	6	11.5	11.5	11.3	11.3	9	34.4	
		8	4	4	13.8	8.8	13	8.5	-	32.2
			6	6	13.8	11.5	13	11.3	-	35.4
	8	8	8	13.8	13.8	13	13	11	36.2	
		10	6	6	15.8	11.5	15.6	11.3	-	35.5
			8	8	15.8	13.8	15.6	13	-	36.3
	10	10	10	15.8	15.8	15.6	15.6	13	36.3	
		12	8	8	18.5	13.8	18.5	13	-	38
			10	10	18.5	15.8	18.5	15.6	-	38
	12	12	12	18.5	18.5	18	18	15.6	39.7	
16		12	12	23.8	18.5	23	18	-	43.2	
		16	16	23.8	23.8	23	23	20	46.8	

Ordering Example

Please order after selecting part number and parameters according to the selection steps ① to ③.

Part Number (①Type · ②D1) - ③D2
E-PACK-MBPU6 - 6

How to search on website



By Type

Search on MISUMI official website

E-PACK-MBPU

By Keyword

Step 1 Search on MISUMI official website

union straight

Step 2 Select MISUMI economy series brand

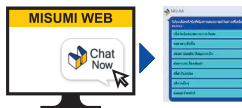
MISUMI



MISUMI contact

Tel: 038-959200 or 1382
Email: cs@misumi.co.th

MISUMI WEB "Chat"



Install MISUMI APP



16

Fittings / Tubes

Plastic Fittings

P.1087

Brass Fittings / Plugs

P.1116

Stainless Steel Fittings / Plugs

P.1133

Speed Controllers / Hand Valves / Tubes

P.1150

Stainless Steel Screw-in Fittings / Brass Hose Fittings

P.1161

New Products



Representative model: E-PACK-MBPE6-6

Save Up to **30%** vs Standard Type

1,120 THB

Shipping from **1 day**

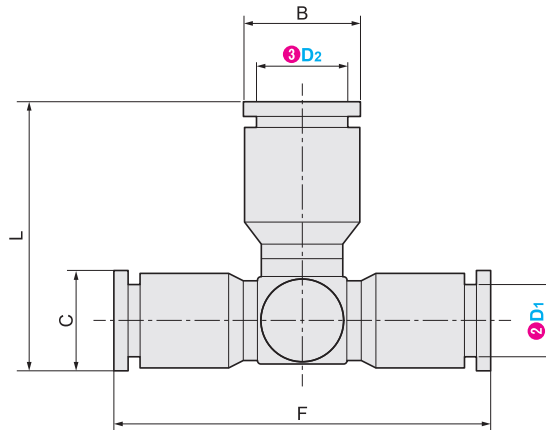
Volume Discount

Quantity	1~3	4~5	6~
Discount	Unit Price	15%	30%



Shipping days may differ by Quantity.
Quantity of volume discount above is for representative Part No. It may differ by the Part.

Part	Material	Surface Treatment
Body	Brass	Nickel Plating
Seal	FKM70	-



16

Fittings / Tubes

Plastic Fittings

P.1087

Brass Fittings / Plugs

P.1116

Stainless Steel Fittings / Plugs

P.1133

Speed Controllers / Hand Valves / Tubes

P.1150

Stainless Steel Screw-In Fittings / Brass Hose Fittings

P.1161

Part Number		Applicable Tube O.D.	B	C	F	L
Type	Applicable Tube O.D. D1	D2				
E-PACK-MBPE (5~20 pcs included)	4	4	8.8	8.8	36.9	24.8
	6	4	8.8	11.5	36.9	30.4
		6	11.5	11.5	48.1	31.8
	8	4	8.8	13.8	36.2	36
		6	11.5	13.8	42.4	36
	10	8	13.8	13.8	51.2	35
		6	11.5	15.8	42.4	36
	12	8	13.8	15.8	51.2	37
		10	15.8	15.8	55.1	38
	16	8	13.8	18.5	51.2	40.2
		10	15.8	18.5	55.1	41.2
	12	12	18.5	18.5	61.5	42.5
16		18.5	23.8	66.5	45.7	
16	12	18.5	23.8	67.8	48.3	
	16	23.8	23.8	67.8	48.3	

Ordering Example

Please order after selecting part number and parameters according to the selection steps 1 to 3.

Part Number (1 Type · 2 D1) - (3 D2)
E-PACK-MBPE6 - 6

How to search on website



By Type Search on MISUMI official website
E-PACK-MBPE

By Keyword Step 1 Search on MISUMI official website Step 2 Select MISUMI economy series brand
union t

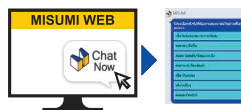
MISUMI



MISUMI contact

Tel: 038-959200 or 1382
Email: cs@misumi.co.th

MISUMI WEB "Chat"



Install MISUMI APP



New Products



Representative model: E-PACK-MBPY6-6

Save Up to **30%**
vs Standard Type

Shipping
from
1 day

1,230 THB

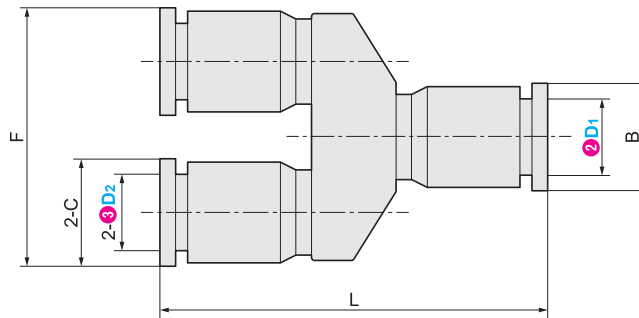
Volume Discount

Quantity	1~3	4~5	6~
Discount	Unit Price	15%	30%



Shipping days may differ by Quantity.
Quantity of volume discount above is for representative Part No. It may differ by the Part.

Part	Material	Surface Treatment
Body	Brass	Nickel Plating
Seal	FKM70	-



Part Number		Applicable Tube O.D.	B	F	L	C
Type	Applicable Tube O.D. D1	D2				
E-PACK-MBPY (5~10 pcs included)	4	4	8.8	21.2	37.7	8.8
		6	11.5	21.1	43.3	8.8
	8	6	11.5	23.9	48.9	11.5
		4	13.8	32.7	44.7	8.8
		6	13.8	32.7	45.8	11.5
	10	8	13.8	33.3	50.2	13.8
		6	15.8	32.7	49.7	11.5
		8	15.8	33.3	52.1	13.8
	12	10	15.8	35.3	54.1	15.8
		8	18.5	33.3	55.3	13.8
		10	18.5	35.3	57.3	15.8
			12	18.5	38	60.5

Ordering Example

Please order after selecting part number and parameters according to the selection steps 1 to 3.

Part Number (1 Type · 2 D1) - (3 D2)
E-PACK-MBPY6 - 6

How to search on website



By Type Search on MISUMI official website
E-PACK-MBPY

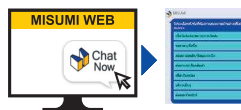
By Keyword Step 1 Search on MISUMI official website
union y

Step 2 Select MISUMI economy series brand
 MISUMI **MISUMI economy**

MISUMI contact

Tel: 038-959200 or 1382
Email: cs@misumi.co.th

MISUMI WEB "Chat"



Install MISUMI APP



16

Fittings / Tubes

Plastic Fittings

P.1087

Brass Fittings / Plugs

P.1116

Stainless Steel Fittings / Plugs

P.1133

Speed Controllers / Hand Valves / Tubes

P.1150

Stainless Steel Screw-in Fittings / Brass Hose Fittings

P.1161

New Products



Representative model: E-PACK-MBNPC6-1

Save Up to **76%** vs Standard Type

463

THB

Shipping from **1 day**

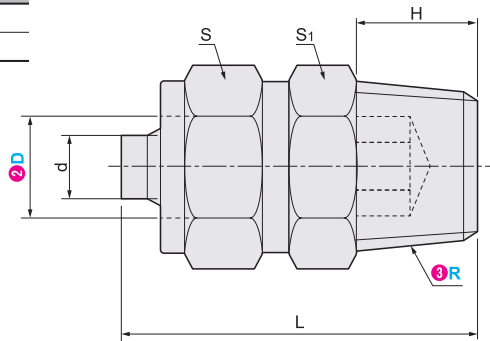
Volume Discount

Quantity	1~3	4~5	6~
Discount	Unit Price	15%	30%



Shipping days may differ by Quantity.
Quantity of volume discount above is for representative Part No. It may differ by the Part.

Part	Material	Surface Treatment
Body	Brass	Nickel Plating
Seal	FKM70	-



Part Number		③ Connecting Thread Nominal	Thread Size	Applicable Tube I.D.	L	H	S	S ₁	
① Type	② Applicable Tube O.D. D	R	R	d					
E-PACK-MBNPC (5~20 pcs included)	4	M5	M5	2.5	19	4	8	8	
		1	R1/8		21.5	7	8	10	
		2	R1/4		24	9	8	14	
	6	M5	M5	4	20	4	10	10	
		1	R1/8		23	7	10	10	
		2	R1/4		25	9	10	14	
		3	R3/8		27	10	10	17	
	8	1	R1/8	5	27	7	14	12	
		2	R1/4		29	9	14	14	
		3	R3/8		30	10	14	17	
		4	R1/2		31	11	14	21	
	10	1	R1/8	6.5	27	7	15	14	
		2	R1/4		29	9	15	14	
		3	R3/8		30	10	15	17	
	12	1	R1/8	8	31	11	15	21	
		2	R1/4		29	7	17	17	
		3	R3/8		31	9	17	17	
	16	1	R1/8	12	32	10	17	17	
		2	R1/4		34	11	17	21	
		3	R3/8		36	9	21	21	
		4	R1/2		37	10	21	21	
						38	11	21	23

Ordering Example

Please order after selecting part number and parameters according to the selection steps ① to ③.

Part Number (①Type · ②D) - ③R
E-PACK-MBNPC6 - 1

How to search on website



By Type Search on MISUMI official website
E-PACK-MBNPC

By Keyword Step 1 Search on MISUMI official website
compression fitting

Step 2 Select MISUMI economy series brand
 MISUMI MISUMI economy

MISUMI contact

Tel: 038-959200 or 1382
Email: cs@misumi.co.th

MISUMI WEB "Chat"



Install MISUMI APP



New Products



Representative model: E-PACK-MBNPL6-1

Save Up to **48%** vs Standard Type

1,016 THB

Shipping from **1 day**

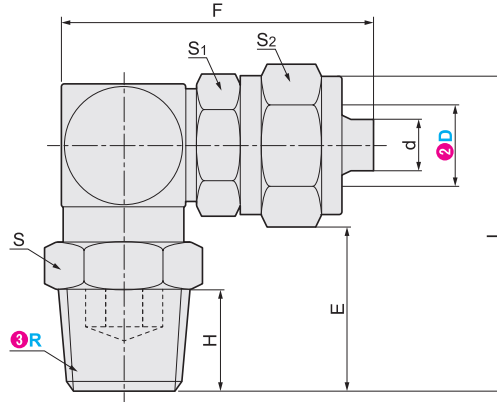
Volume Discount

Quantity	1~3	4~5	6~
Discount	Unit Price	15%	30%



Shipping days may differ by Quantity.
Quantity of volume discount above is for representative Part No. It may differ by the Part.

Part	Material	Surface Treatment
Body	Brass	Nickel Plating
Seal	FKM70	-



Part Number ① TYPE	② Applicable Tube O.D. D	③ Connecting Thread Nominal		Thread Size R	Applicable Tube I.D. d	E	F	L	H	S	S ₁	S ₂
		R	R									
E-PACK-MBNPL (5~20 pcs included)	4	M5	M5	2.5	2.5	12.8	23.2	21.8	4	8	8	8
		1	R1/8			13.9	23.2	22.8	7	10	8	8
		2	R1/4			16.3	23.2	25.3	9	14	8	8
	6	M5	M5	4	4	11.7	24.3	23	4	8	10	10
		1	R1/8			12.7	24.3	24	7	10	10	10
		2	R1/4			15.2	24.3	26.5	9	14	10	10
		3	R3/8			18.2	24.3	29.5	10	17	10	10
	8	4	R1/2	21.1	24.3	31	11	21	10	10		
		1	R1/8	16	30	31.9	7	12	12	14		
		2	R1/4	17.5	30	33.4	9	14	12	14		
		3	R3/8	19	30	34.9	10	17	12	14		
	10	4	R1/2	20.5	30	36.4	11	21	12	14		
		1	R1/8	15.3	30.8	32.6	7	12	14	15		
		2	R1/4	16.8	30.8	34.1	9	14	14	15		
		3	R3/8	18.3	30.8	35.6	10	17	14	15		
	12	4	R1/2	19.8	30.8	37.1	11	21	14	15		
		1	R1/8	14.2	34.3	33.7	7	12	15	17		
		2	R1/4	15.7	34.3	35.2	9	14	15	17		
		3	R3/8	17.2	34.3	36.7	10	17	15	17		
	16	4	R1/2	18.7	34.3	38.3	11	21	15	17		
		2	R1/4	16.6	43.3	40.3	9	17	19	21		
		3	R3/8	17.1	43.3	40.8	10	17	19	21		
		4	R1/2	18.1	43.3	41.8	11	21	19	21		

Ordering Example

Please order after selecting part number and parameters according to the selection steps ① to ③.

Part Number (①Type · ②D) - ③R
E-PACK-MBNPL6 - 1

How to search on website



By Type Search on MISUMI official website
E-PACK-MBNPL

By Keyword Step 1 Search on MISUMI official website
compression fitting

Step 2 Select MISUMI economy series brand
 MISUMI MISUMI economy

MISUMI contact

Tel: 038-959200 or 1382
Email: cs@misumi.co.th

MISUMI WEB "Chat"



Install MISUMI APP



16

Fittings / Tubes

Plastic Fittings

P.1087

Brass Fittings / Plugs

P.1116

Stainless Steel Fittings / Plugs

P.1133

Speed Controllers / Hand Valves / Tubes

P.1150

Stainless Steel Screw-in Fittings / Brass Hose Fittings

P.1161

New Products



Representative model: E-PACK-MBNPM6

Save Up to **48%** vs Standard Type

1,009 THB

Shipping from **1 day**

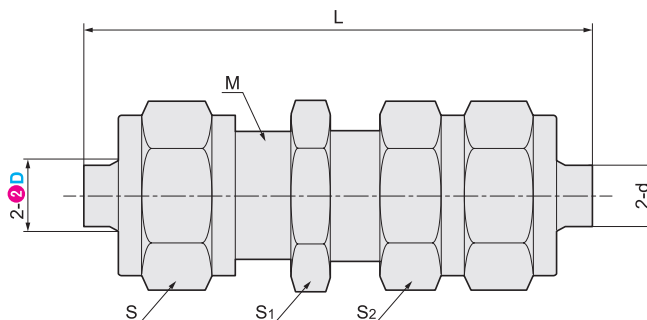
Volume Discount

Quantity	1~3	4~5	6~
Discount	Unit Price	15%	30%



Shipping days may differ by Quantity.
Quantity of volume discount above is for representative Part No. It may differ by the Part.

Part	Material	Surface Treatment
Body	Brass	Nickel Plating
Seal	FKM70	-



Part Number		Applicable Tube I.D. d	L	S	S ₁	S ₂	M
1 Type	2 Applicable Tube O.D. D						
E-PACK-MBNPM (5~20 pcs included)	4	2.5	35	8	8	8	6×1
	6	4	36	10	10	10	8×1
	8	5	43	14	14	14	11×1
	10	6.5	45	15	15	15	13×1
	12	8	50	17	17	17	15×1
	16	12	55	21	21	21	19×1

Ordering Example

Please order after selecting part number and parameters according to the selection steps 1 to 2.

Part Number (1 Type · 2 D)
E-PACK-MBNPM6

How to search on website



By Type: Search on MISUMI official website
E-PACK-MBNPM 🔍

By Keyword: Step 1 ▶ Search on MISUMI official website
compression fitting 🔍

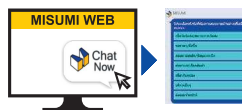
Step 2 ▶ Select MISUMI economy series brand

MISUMI MISUMI economy

MISUMI contact

Tel: 038-959200 or 1382
Email: cs@misumi.co.th

MISUMI WEB "Chat"



Install MISUMI APP



16

Fittings / Tubes

Plastic Fittings

P.1087

Brass Fittings / Plugs

P.1116

Stainless Steel Fittings / Plugs

P.1133

Speed Controllers / Hand Valves / Tubes

P.1150

Stainless Steel Screw-In Fittings / Brass Hose Fittings

P.1161

New Products



Representative model: E-PACK-MBNPV6

Save Up to **51%** vs Standard Type

1,092 THB

Shipping from **1 day**

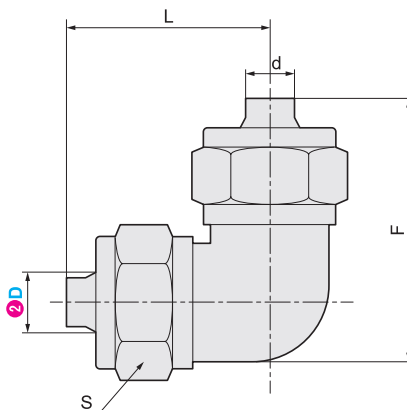
Volume Discount

Quantity	1~3	4~5	6~
Discount	Unit Price	15%	30%



Shipping days may differ by Quantity.
Quantity of volume discount above is for representative Part No. It may differ by the Part.

Part	Material	Surface Treatment
Body	Brass	Nickel Plating
Seal	FKM70	-



Part Number		Applicable Tube I.D. d	F	L	S
① Type	② Applicable Tube O.D. D				
E-PACK-MBNPV (5~20 pcs included)	4	2.5	17.5	13.5	8
	6	4	21.6	16.6	10
	8	5	26.8	20.8	14
	10	6.5	28.8	21.8	15
	12	8	33.2	25.3	17
	16	12	40.3	30.4	21

Ordering Example

Please order after selecting part number and parameters according to the selection steps ① to ②.

Part Number (①Type · ②D)
E-PACK-MBNPV6

How to search on website



By Type: Search on MISUMI official website
E-PACK-MBNPV

By Keyword: Step 1 Search on MISUMI official website
compression fitting

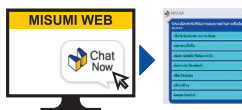
Step 2 Select MISUMI economy series brand

MISUMI MISUMI economy

MISUMI contact

Tel: 038-959200 or 1382
Email: cs@misumi.co.th

MISUMI WEB "Chat"



Install MISUMI APP



16

Fittings / Tubes

Plastic Fittings

P.1087

Brass Fittings / Plugs

P.1116

Stainless Steel Fittings / Plugs

P.1133

Speed Controllers / Hand Valves / Tubes

P.1150

Stainless Steel Screw-in Fittings / Brass Hose Fittings

P.1161

New Products



Representative model: E-PACK-MBNPU6-6

Save Up to **54%** vs Standard Type

1,029 THB

Shipping from **1 day**

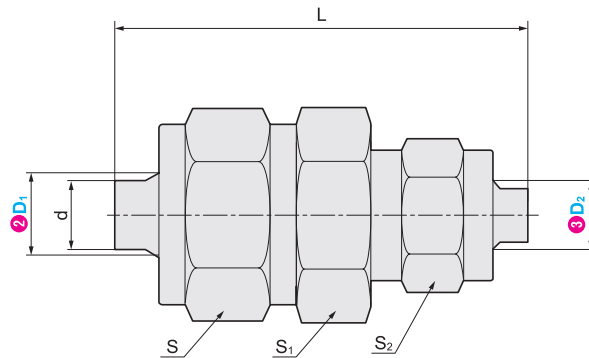
Volume Discount

Quantity	1~3	4~5	6~
Discount	Unit Price	15%	30%



Shipping days may differ by Quantity.
Quantity of volume discount above is for representative Part No. It may differ by the Part.

Part	Material	Surface Treatment
Body	Brass	Nickel Plating
Seal	FKM70	-



Part Number		Applicable Tube O.D. D ₂	Applicable Tube I.D. d	L	S	S ₁	S ₂
Type	Applicable Tube O.D. D ₁						
E-PACK-MBNPU (5~20 pcs included)	4	4	2.5	23.5	8	8	8
	6	4	2.5	26.1	10	10	8
		6	4	28.2	10	10	10
	8	4	2.5	27.5	14	14	8
		6	4	29.6	14	14	10
	10	8	5	30.8	14	14	14
		6	4	29.6	15	15	10
	12	8	5	30.8	15	15	14
		10	6.5	30.8	15	15	15
	16	8	5	33.3	17	17	14
		10	6.5	33.3	17	17	15
		12	8	35.8	17	17	17
12		8	39.6	21	21	17	
	16	12	42	21	21	21	

Ordering Example

Please order after selecting part number and parameters according to the selection steps 1 to 3.

Part Number (1 Type · 2 D₁) - 3 D₂
E-PACK-MBNPU6 - 6

How to search on website



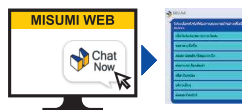
By Type: Search on MISUMI official website
E-PACK-MBNPU

By Keyword: Step 1 Search on MISUMI official website Step 2 Select MISUMI economy series brand
compression fitting MISUMI MISUMI economy

MISUMI contact

Tel: 038-959200 or 1382
Email: cs@misumi.co.th

MISUMI WEB "Chat"



Install MISUMI APP



New Products



Representative model: E-PACK-MBNPE6-6

Save Up to **39%** vs Standard Type

1,199 THB

Shipping from **1 day**

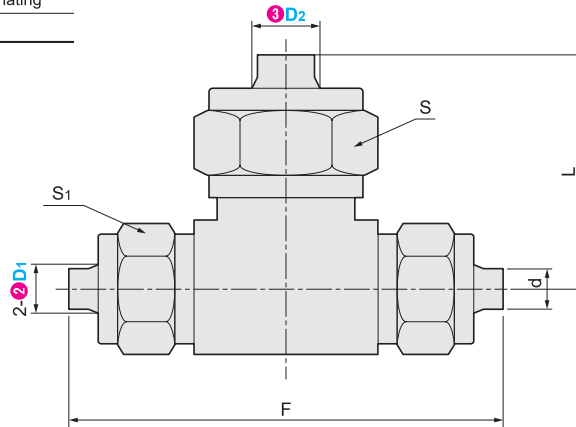
Volume Discount

Quantity	1~3	4~5	6~
Discount	Unit Price	15%	30%



Shipping days may differ by Quantity.
Quantity of volume discount above is for representative Part No. It may differ by the Part.

Part	Material	Surface Treatment
Body	Brass	Nickel Plating
Seal	FKM70	-



Part Number		3 Applicable Tube O.D.	Applicable Tube I.D. d	F	L	S	S1
1 Type	2 Applicable Tube O.D. D1	D2					
E-PACK-MBNPE (5~20 pcs included)	4	4	2.5	27	13.5	8	8
		6	2.5	16.6	16.6	10	8
	8	4	2.5	18.8	18.8	14	8
		6	4	18.8	18.8	14	10
	10	8	5	41.6	20.8	14	14
		6	4	19.8	19.8	15	10
	12	8	5	19.8	19.8	15	14
		10	6.5	43.6	21.8	15	15
	16	8	5	23.3	23.3	17	14
		10	6.5	23.3	23.3	17	15
		12	8	50.6	25.3	17	17
		12	8	54.6	30.3	21	17
		16	12	60.5	30.4	21	21

Ordering Example

Please order after selecting part number and parameters according to the selection steps 1 to 3.

Part Number (1 Type · 2 D1) - 3 D2
E-PACK-MBNPE6 - 6

How to search on website



By Type: Search on MISUMI official website
E-PACK-MBNPE

By Keyword: Step 1 Search on MISUMI official website
compression fitting

Step 2 Select MISUMI economy series brand
 MiSUMI MISUMI economy

MISUMI contact

Tel: 038-959200 or 1382
Email: cs@misumi.co.th

MISUMI WEB "Chat"



Install MISUMI APP



16

Fittings / Tubes

Plastic Fittings

P.1087

Brass Fittings / Plugs

P.1116

Stainless Steel Fittings / Plugs

P.1133

Speed Controllers / Hand Valves / Tubes

P.1150

Stainless Steel Screw-in Fittings / Brass Hose Fittings

P.1161

New Products



Representative model: E-PACK-MBPB1

Save Up to **83%** vs Standard Type

456

THB



Volume Discount

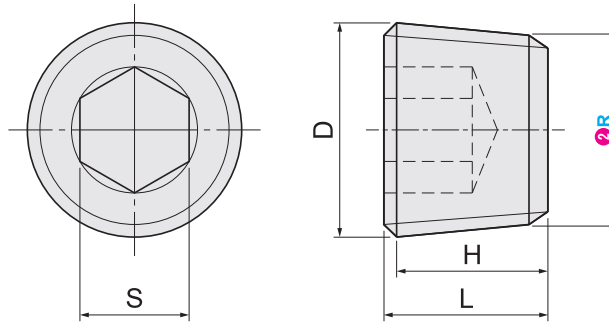
Quantity	1~3	4~5	6~
Discount	Unit Price	15%	30%



Shipping days may differ by Quantity.

Quantity of volume discount above is for representative Part No. It may differ by the Part.

Material	Surface Treatment
Brass	Nickel Plating



16

Fittings / Tubes

Plastic Fittings

P.1087

Brass Fittings / Plugs

P.1116

Stainless Steel Fittings / Plugs

P.1133

Speed Controllers / Hand Valves / Tubes

P.1150

Stainless Steel Screw-In Fittings / Brass Hose Fittings

P.1161

Part Number		Thread Size R	L	H	D	S
1 Type	2 Connecting Thread Nominal R					
E-PACK-MBPB (20~50 pcs included)	1	R1/8	8	5	12	4
	2	R1/4	10	7	15.6	6
	3	R3/8	11	7.5	19	10
	4	R1/2	12	8.5	24	12

Ordering Example

Please order after selecting part number and parameters according to the selection steps 1 to 2.

Part Number (1Type · 2R)
E-PACK-MBPB1

How to search on website



By Type: Search on MISUMI official website
E-PACK-MBPB

By Keyword: Step 1 Search on MISUMI official website
screw-in plug

Step 2 Select MISUMI economy series brand

MISUMI MISUMI economy

MISUMI contact

Tel: 038-959200 or 1382
Email: cs@misumi.co.th

MISUMI WEB "Chat"



Install MISUMI APP



New Products



Representative model: E-PACK-MBPZ1

Save Up to **69%** vs Standard Type

325

THB



Volume Discount

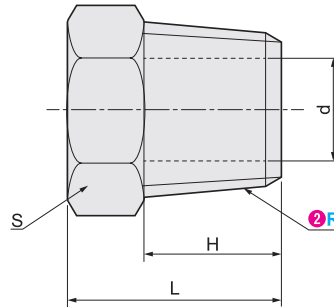
Quantity	1~3	4~5	6~
Discount	Unit Price	15%	30%



Shipping days may differ by Quantity.

Quantity of volume discount above is for representative Part No. It may differ by the Part.

Material	Surface Treatment
Brass	Nickel Plating



Part Number		Thread Size R	L	H	S	d
1 Type	2 Connecting Thread Nominal R					
E-PACK-MBPZ (20 pcs included)	1	R1/8	11	7	10	6
	2	R1/4	12.5	8.5	14	9
	3	R3/8	13.5	9	17	12.5
	4	R1/2	14.5	10	21	15.4

Ordering Example

Please order after selecting part number and parameters according to the selection steps 1 to 2.

Part Number (1 Type · 2 R)
E-PACK-MBPZ1

How to search on website



By Type

Search on MISUMI official website

E-PACK-MBPZ

By Keyword

Step 1 Search on MISUMI official website

screw-in plug

Step 2 Select MISUMI economy series brand

MISUMI



MISUMI contact

Tel: 038-959200 or 1382
Email: cs@misumi.co.th

MISUMI WEB "Chat"



Install MISUMI APP



16

Fittings / Tubes

Plastic Fittings

P.1087

Brass Fittings / Plugs

P.1116

Stainless Steel Fittings / Plugs

P.1133

Speed Controllers / Hand Valves / Tubes

P.1150

Stainless Steel Screw-in Fittings / Brass Hose Fittings

P.1161

New Products



Representative model: E-PACK-MSSPC6-1

Save Up to **64%** vs Standard Type

1,354 THB

Shipping from **1 day**

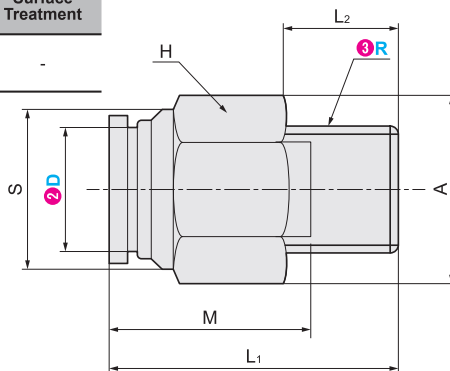
Volume Discount

Quantity	1~3	4~5	6~
Discount	Unit Price	15%	30%



Shipping days may differ by Quantity.
Quantity of volume discount above is for representative Part No. It may differ by the Part.

Type	Material		Surface Treatment
	Body	Seal	
E-PACK-MSFPC	SUS304	FKM70	-
E-PACK-MSSPC	SUS316		



Part Number		Connecting Thread Nominal	Thread Size	M	S	L1	L2	H	A
Type	Applicable Tube O.D. D	R	R						
E-PACK-MSFPC (SUS304)	4	M5	M5	14.2	9.5	20.2	4	10	11.1
		1	R1/8	14.2	9.5	19.9	7.5	10	11.1
		2	R1/4	14.2	9.5	19	9.5	14	15.5
	6	M5	M5	15.2	11.5	21.5	4	12	13.3
		1	R1/8	15.2	11.5	20.7	7.5	12	13.3
		2	R1/4	15.2	11.5	19.8	9.5	14	15.5
		3	R3/8	15.2	11.5	20.8	10.5	17	18.8
	8	4	R1/2	15.2	11.5	22.9	12.5	21	23.3
		1	R1/8	16.8	13.5	26.3	7.5	14	15.5
		2	R1/4	16.8	13.5	24.8	9.5	14	15.5
		3	R3/8	16.8	13.5	22.1	10.5	17	18.8
	E-PACK-MSSPC (SUS316) (2~10 pcs included)	10	4	R1/2	16.8	13.5	23.8	12.5	21
1			R1/8	18.5	16.5	27.6	7.5	17	18.8
2			R1/4	18.5	16.5	29.5	9.5	17	18.8
3			R3/8	18.5	16.5	27	10.5	17	18.8
12	4	R1/2	18.5	16.5	24.6	12.5	21	23.3	
	1	R1/8	21	19.5	32	7.5	21	23.3	
	2	R1/4	21	19.5	28.9	9.5	21	23.3	
	3	R3/8	21	19.5	31.1	10.5	21	23.3	
16	4	R1/2	21	19.5	34.4	12.5	21	23.3	
	3	R3/8	23.4	23.5	35.4	10.5	24	26.6	
		4	R1/2	23.4	23.5	32.4	12.5	24	26.6

Ordering Example

Please order after selecting part number and parameters according to the selection steps ① to ③.
Part Number (①Type · ②D) - **③R**
E-PACK-MSSPC6 - **1**

How to search on website

By Type: Search on MISUMI official website
E-PACK-MSFPC

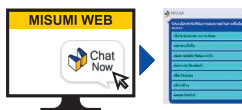
By Keyword: Step 1 Search on MISUMI official website
fitting straight

Step 2 Select MISUMI economy series brand
 MISUMI **MISUMI economy**

MISUMI contact

Tel: 038-959200 or 1382
 Email: cs@misumi.co.th

MISUMI WEB "Chat"



Install MISUMI APP



16

Fittings / Tubes

Plastic Fittings

P.1087

Brass Fittings / Plugs

P.1116

Stainless Steel Fittings / Plugs

P.1133

Speed Controllers / Hand Valves / Tubes

P.1150

Stainless Steel Screw-In Fittings / Brass Hose Fittings

P.1161

New Products



Representative model: E-PACK-MSSPL6-1

Save Up to **72%** vs Standard Type

2,213 THB



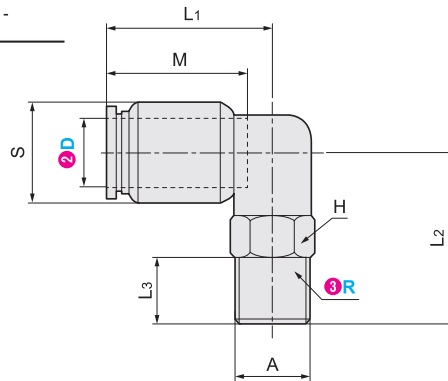
Volume Discount

Quantity	1~3	4~5	6~
Discount	Unit Price	15%	30%



Shipping days may differ by Quantity.
Quantity of volume discount above is for representative Part No. It may differ by the Part.

Type	Material		Surface Treatment
	Body	Seal	
E-PACK-MSFPL	SUS304	FKM70	-
E-PACK-MSSPL	SUS316		



Part Number		3 Connecting Thread Nominal	Thread Size	M	L1	L2	L3	H	A	S	
1 Type	2 Applicable Tube O.D. D	R	R								
E-PACK-MSFPL (SUS304)	4	M5	M5	14.2	18.4	20.1	4	12	13.3	10	
		1	R1/8	14.2	18.4	18.1	7.5	12	13.3	10	
		2	R1/4	14.2	18.4	19.8	9.5	14	15.5	10	
	6	M5	M5	15.2	19	21.1	4	12	13.3	12	
		1	R1/8	15.2	19	19.1	7.5	12	13.3	12	
		2	R1/4	15.2	19	20.8	9.5	14	15.5	12	
	8	3	R3/8	15.2	19	21.8	10.5	17	18.8	12	
		1	R1/8	16.8	20.4	20.1	7.5	12	13.3	14	
		2	R1/4	16.8	20.4	21.8	9.5	14	15.5	14	
	E-PACK-MSSPL (SUS316) (2~10 pcs included)	10	3	R3/8	16.8	20.4	22.8	10.5	17	18.8	14
			4	R1/2	16.8	20.4	25.7	12.5	21	23.3	14
			1	R1/8	18.5	24.1	21.9	7.5	12	13.3	17
12		2	R1/4	18.5	24.1	23.5	9.5	14	15.5	17	
		3	R3/8	18.5	24.1	24.4	10.5	17	18.8	17	
		4	R1/2	18.5	24.1	27.2	12.5	21	23.3	17	
16	2	R1/4	21	27.8	24.9	9.5	14	15.5	20		
	3	R3/8	21	27.8	25.9	10.5	17	18.8	20		
	4	R1/2	21	27.8	28.8	12.5	21	23.3	20		
		3	R3/8	23.4	31.1	27.8	10.5	17	18.8	24	
		4	R1/2	23.4	31.1	30.7	12.5	21	23.3	24	

Ordering Example

Please order after selecting part number and parameters according to the selection steps 1 to 3.
 Part Number (1 Type · 2 D) - (3 R)
 E-PACK-MSSPL6 - 1



By Type Search on MISUMI official website
 E-PACK-MSFPL

By Keyword Step 1 Search on MISUMI official website
 fitting elbow

Step 2 Select MISUMI economy series brand
 MiSUMI MiSUMI economy

MISUMI contact

Tel: 038-959200 or 1382
 Email: cs@misumi.co.th

MISUMI WEB "Chat"



Install MISUMI APP



New Products



Representative model: E-PACK-MSSPOC6-1

Save Up to **57%** vs Standard Type

1,703 THB

Shipping from **1 day**

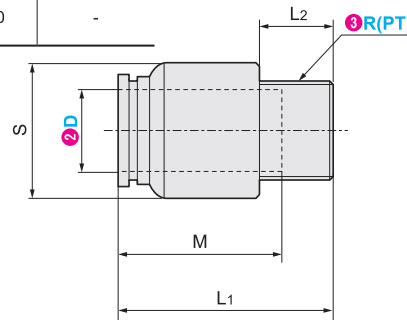
Volume Discount

Quantity	1~3	4~5	6~
Discount	Unit Price	15%	30%



Shipping days may differ by Quantity.
Quantity of volume discount above is for representative Part No. It may differ by the Part.

Type	Material		Surface Treatment
	Body	Seal	
E-PACK-MSFPOC	SUS304	FKM70	-
E-PACK-MSSPOC	SUS316		



Part Number		③ Connecting Thread Nominal	Thread Size	M	L1	L2	H	S	
① Type	② Applicable Tube O.D. D								
E-PACK-MSFPOC (SUS304)	4	M5	M5	14.2	20.2	4	2	10.5	
		1	R1/8	14.2	19.9	7.5	3	10.5	
		2	R1/4	14.2	19	9.5	3	10.5	
	6	M5	M5	15.2	21.5	4	2	12.5	
		1	R1/8	15.2	20.7	7.5	4	12.5	
		2	R1/4	15.2	19.8	9.5	4	12.5	
	8	3	R3/8	15.2	20.8	10.5	4	12.5	
		4	R1/2	15.2	22.9	12.5	4	12.5	
		1	R1/8	16.8	26.3	7.5	4	14.5	
	E-PACK-MSSPOC (SUS316) (2~10 pcs included)	8	2	R1/4	16.8	24.8	9.5	6	14.5
			3	R3/8	16.8	22.1	10.5	6	14.5
			4	R1/2	16.8	23.8	12.5	6	14.5
10	1	R1/8	18.5	27.6	7.5	4	17.5		
	2	R1/4	18.5	29.5	9.5	6	17.5		
	3	R3/8	18.5	27	10.5	8	17.5		
12	4	R1/2	18.5	24.6	12.5	8	17.5		
	1	R1/8	21	32	7.5	4	20.5		
	2	R1/4	21	28.9	9.5	6	20.5		
16	3	R3/8	21	31.1	10.5	8	20.5		
	4	R1/2	21	34.4	12.5	10	24		
	3	R3/8	23.4	35.4	10.5	12	24		
		4	R1/2	23.4	32.4	12.5	12	24	

Ordering Example

Please order after selecting part number and parameters according to the selection steps ① to ③.
Part Number (①Type · ②D) - **③R**
E-PACK-MSSPOC6 - **1**

How to search on website

By Type: Search on MISUMI official website **E-PACK-MSFPOC**

By Keyword: Step 1 Search on MISUMI official website **fitting straight** Step 2 Select MISUMI economy series brand MISUMI MISUMI economy

MISUMI contact

Tel: 038-959200 or 1382
Email: cs@misumi.co.th

MISUMI WEB "Chat"



Install MISUMI APP



16 Fittings / Tubes
Plastic Fittings
P.1087 Brass Fittings / Plugs
P.1116 Stainless Steel Fittings / Plugs
P.1133 Speed Controllers / Hand Valves / Tubes
P.1150 Stainless Steel Screw-in Fittings / Brass Hose Fittings
P.1161

New Products



Representative model: E-PACK-MSSPCF6-1

Save Up to **54%**
vs Standard Type

1,725 THB

Shipping from **1 day**

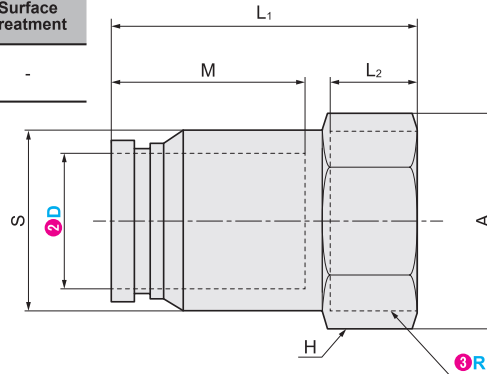
Volume Discount

Quantity	1~3	4~5	6~
Discount	Unit Price	15%	30%



Shipping days may differ by Quantity.
Quantity of volume discount above is for representative Part No. It may differ by the Part.

Type	Material		Surface Treatment
	Body	Seal	
E-PACK-MSFPCF	SUS304	FKM70	-
E-PACK-MSSPCF	SUS316		



1 Type	2 Applicable Tube O.D. D	3 Connecting Thread Nominal R	Thread Size R	M	L1	L2	H	A	S
				E-PACK-MSFPCF (SUS304)	4	M5	M5	14.2	21.4
E-PACK-MSSPCF (SUS316) (5~10 pcs included)	4	1	G1/8	14.2	23	8	12	13.3	10.5
		2	G1/4	14.2	25.4	10	17	18.8	10.5
		3	G1/8	15.2	21.4	5	12	13.3	12.5
	6	1	G1/8	15.2	25.2	8	12	13.3	12.5
		2	G1/4	15.2	26.9	10	17	18.8	12.5
		3	G1/8	15.2	29.2	11	19	21.1	12.5
	8	1	G1/8	16.8	27.4	8	14	15.5	14.5
		2	G1/4	16.8	28.6	10	17	18.8	14.5
		3	G3/8	16.8	30.3	11	19	21.1	14.5
	10	1	G1/8	18.5	28	8	17	18.8	17.5
		2	G1/2	18.5	30	10	17	18.8	17.5
		3	G3/8	18.5	31.6	11	19	21.1	17.5
12	1	G1/8	21	30	8	21	23.3	20	
	2	G1/2	21	33	10	21	23.3	20.5	
	3	G3/8	21	33.8	11	21	23.3	20.5	
		4	G1/2	21	39.3	13	24	26.6	20.5

Ordering Example

Please order after selecting part number and parameters according to the selection steps 1 to 3.

Part Number (1 Type · 2 D) - (3 R)
E-PACK-MSSPCF6 - 1

How to search on website



By Type: Search on MISUMI official website
E-PACK-MSFPCF

By Keyword: Step 1 Search on MISUMI official website
fitting straight

Step 2 Select MISUMI economy series brand



MISUMI contact

Tel: 038-959200 or 1382
Email: cs@misumi.co.th

MISUMI WEB "Chat"



Install MISUMI APP



New Products



Representative model: E-PACK-MSSPM6

Save Up to **56%** vs Standard Type

1,461 THB

Shipping from **1 day**

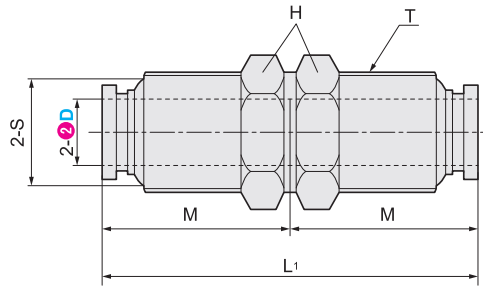
Volume Discount

Quantity	1~3	4~5	6~
Discount	Unit Price	15%	30%



Shipping days may differ by Quantity.
Quantity of volume discount above is for representative Part No. It may differ by the Part.

Type	Material		Surface Treatment
	Body	Seal	
E-PACK-MSFPM	SUS304	FKM70	-
E-PACK-MSSPM	SUS316		



Part Number		M	L1	T	H	S
① Type	② Applicable Tube O.D. D					
E-PACK-MSFPM (SUS304)	4	14.2	30	M12×1	14	10.5
	6	15.2	31	M14×1	17	12.5
	8	16.8	34.9	M16×1	19	14.5
E-PACK-MSSPM (SUS316) (2~5 pcs included)	10	18.5	38.3	M19×1	21	17.5
	12	21	43.6	M22×1	26	20.5
	16	23.4	48.5	M26×1	29	24

Ordering Example

Please order after selecting part number and parameters according to the selection steps ① to ②.

Part Number (①Type · ②D)
E-PACK-MSSPM6

How to search on website



By Type: Search on MISUMI official website
E-PACK-MSFPM

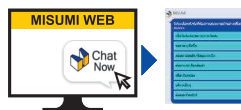
By Keyword: Step 1 ▶ Search on MISUMI official website
fitting bulkhead

Step 2 ▶ Select MISUMI economy series brand
 MISUMI MISUMI economy

MISUMI contact

Tel: 038-959200 or 1382
Email: cs@misumi.co.th

MISUMI WEB "Chat"



Install MISUMI APP



New Products



Representative model: E-PACK-MSSPV6

Save Up to **61%** vs Standard Type

2,792 THB

Shipping from **1 day**

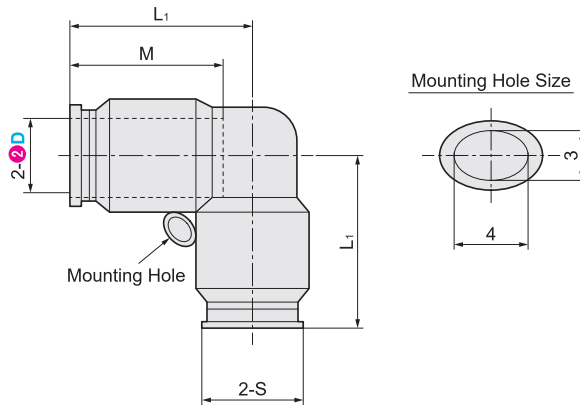
Volume Discount

Quantity	1~3	4~5	6~
Discount	Unit Price	15%	30%



Shipping days may differ by Quantity.
Quantity of volume discount above is for representative Part No. It may differ by the Part.

Type	Material		Surface Treatment
	Body	Seal	
E-PACK-MSFPV	SUS304	FKM70	-
E-PACK-MSSPV	SUS316		



Part Number		M	L1	S
① Type	② Applicable Tube O.D. D			
E-PACK-MSFPV (SUS304)	4	14.2	17.2	10
	6	15.2	18.3	12
E-PACK-MSSPV (SUS316) (5~10 pcs included)	8	16.8	20.6	14
	10	18.5	24	17
	12	21	27.7	20

Ordering Example

Please order after selecting part number and parameters according to the selection steps ① to ②.

Part Number (①Type · ②D)
E-PACK-MSSPV6

How to search on website



By Type: Search on MISUMI official website
E-PACK-MSFPV

By Keyword: Step 1 ▶ Search on MISUMI official website
union elbow

Step 2 ▶ Select MISUMI economy series brand
 MISUMI **MISUMI economy**

MISUMI contact

Tel: 038-959200 or 1382
Email: cs@misumi.co.th

MISUMI WEB "Chat"



Install MISUMI APP



16

Fittings / Tubes

Plastic Fittings

P.1087

Brass Fittings / Plugs

P.1116

Stainless Steel Fittings / Plugs

P.1133

Speed Controllers / Hand Valves / Tubes

P.1150

Stainless Steel Screw-in Fittings / Brass Hose Fittings

P.1161

New Products



Representative model: E-PACK-MSSPU6-6

Save Up to **67%** vs Standard Type

1,776 THB

Shipping from **1 day**

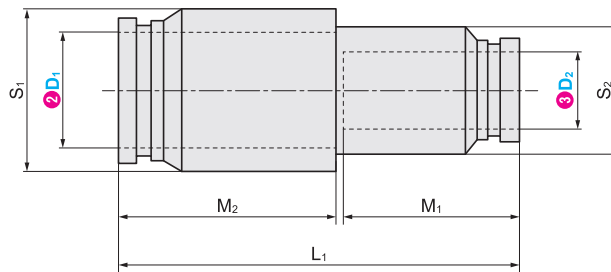
Volume Discount

Quantity	1~3	4~5	6~
Discount	Unit Price	15%	30%



Shipping days may differ by Quantity.
Quantity of volume discount above is for representative Part No. It may differ by the Part.

Type	Material		Surface Treatment
	Body	Seal	
E-PACK-MSFPU	SUS304	FKM70	-
E-PACK-MSSPU	SUS316		



Part Number		3 Applicable Tube O.D.	M1	M2	L1	S1	S2
1 Type	2 Applicable Tube O.D. D1	D2					
E-PACK-MSFPU (SUS304)	4	4	14.2	14.2	29.5	10.5	10.5
	6	4	14.2	15.2	30.3	12.5	10.5
		6	15.2	15.2	30.9	12.5	12.5
	8	4	14.2	16.8	32.5	14.5	10.5
		6	15.2	16.8	34.2	14.5	12.5
	10	6	15.2	18.5	35	17.5	12.5
8		16.8	16.8	35	14.5	14.5	
E-PACK-MSSPU (SUS316) (2~10 pcs included)	10	6	15.2	18.5	35	17.5	12.5
		8	16.8	18.5	37	17.5	14.5
	12	10	18.5	18.5	38.7	17.5	17.5
		8	16.8	21	39.3	20.5	14.5
	16	10	18.5	21	41.9	20.5	17.5
		12	21	21	43.6	20.5	20.5
	16	23.4	23.4	46.2	24	20.5	
		16	23.4	23.4	49.6	24	24

Ordering Example

Please order after selecting part number and parameters according to the selection steps 1 to 3.

Part Number (1 Type · 2 D1) - (3 D2)
E-PACK-MSSPU6 - 6

How to search on website



By Type Search on MISUMI official website
E-PACK-MSFPU

By Keyword Step 1 Search on MISUMI official website
union straight

Step 2 Select MISUMI economy series brand
MISUMI economy

MISUMI contact

Tel: 038-959200 or 1382
Email: cs@misumi.co.th

MISUMI WEB "Chat"



Install MISUMI APP



New Products



Representative model: E-PACK-MSSPE6-6

Save Up to **64%** vs Standard Type

1,895 THB

Shipping from **1 day**

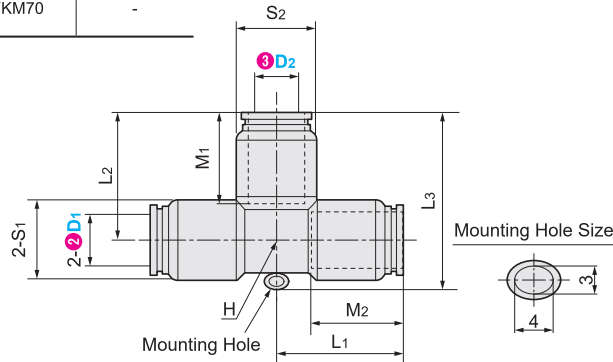
Volume Discount

Quantity	1~3	4~5	6~
Discount	Unit Price	15%	30%



Shipping days may differ by Quantity.
Quantity of volume discount above is for representative Part No. It may differ by the Part.

Type	Material		Surface Treatment
	Body	Seal	
E-PACK-MSFPE	SUS304	FKM70	-
E-PACK-MSSPE	SUS316		



Part Number		Applicable Tube O.D.		M1	M2	S1	S2	L1	L2	L3
Type	Applicable Tube O.D. D1	D2								
E-PACK-MSFPE (SUS304)	4	4		14.2	14.2	10	10	17.2	17.2	24.2
	6	4		14.2	15.2	12	10	17.2	18.2	26.2
		6		15.2	15.2	12	12	18.3	18.3	26.3
	E-PACK-MSSPE (SUS316) (2~5 pcs included)	8	4		14.2	16.8	14.5	10.5	26.3	25.2
6				15.2	16.8	14	12	20	19.4	28.1
10		6		15.2	18.5	17.5	12.5	29.6	28	36.6
		8		16.8	18.5	17	14	22.6	22.3	32
12	8		16.8	21	20.5	14.5	33.5	33	43.2	
	10		18.5	21	20	17	26.1	25.6	36.6	
	12		21	21	20	20	27.7	27.7	39.7	
	16		21	23.4	24	20	29.1	29.3	42.6	
	16		23.4	23.4	24	24	31.1	31.1	45.1	

Ordering Example

Please order after selecting part number and parameters according to the selection steps 1 to 3.

Part Number (1 Type · 2 D1) - (3 D2)
E-PACK-MSSPE6 - 6

How to search on website



By Type

Search on MISUMI official website

E-PACK-MSFPE

By Keyword

Step 1 Search on MISUMI official website

union t

Step 2 Select MISUMI economy series brand

MiSUMI



MISUMI contact

Tel: 038-959200 or 1382
Email: cs@misumi.co.th

MISUMI WEB "Chat"



Install MISUMI APP



16

Fittings / Tubes

Plastic Fittings

P.1087

Brass Fittings / Plugs

P.1116

Stainless Steel Fittings / Plugs

P.1133

Speed Controllers / Hand Valves / Tubes

P.1150

Stainless Steel Screw-in Fittings / Brass Hose Fittings

P.1161

New Products



Representative model: E-PACK-MSSPY6-6

Save Up to **64%** vs Standard Type

1,927 THB

Shipping from **1 day**

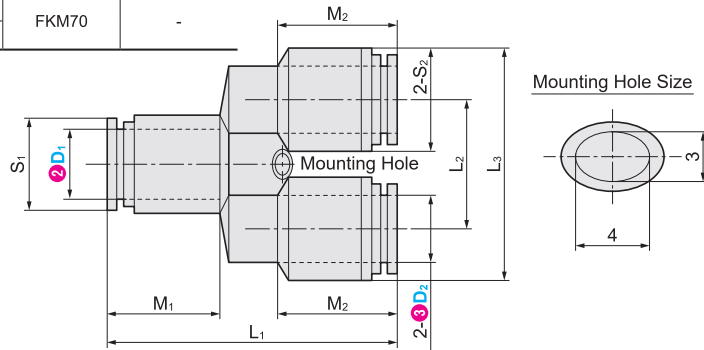
Volume Discount

Quantity	1~3	4~5	6~
Discount	Unit Price	15%	30%



Shipping days may differ by Quantity.
Quantity of volume discount above is for representative Part No. It may differ by the Part.

Type	Material		Surface Treatment
	Body	Seal	
E-PACK-MSFPY	SUS304	FKM70	-
E-PACK-MSSPY	SUS316		



Part Number		Applicable Tube O.D. D ₂	M ₁	M ₂	S ₁	S ₂	L ₁	L ₂	L ₃
Type	Applicable Tube O.D. D ₁								
E-PACK-MSFPY (SUS304)	4	4	14.2	14.2	10	10	30.9	13	22.7
	6	4	15.2	14.2	12	10	31.7	13	22.7
		6	15.2	15.2	12	12	31.6	15	26.7
E-PACK-MSSPY (SUS316) (2~5 pcs included)	10	4	16.8	14.2	14.9	14.9	40	17.2	32.1
		6	16.8	15.2	14	12	32.6	15	26.7
		8	16.8	16.8	14	14	35.1	17	30.7
E-PACK-MSSPY (SUS316) (2~5 pcs included)	12	6	18.5	15.2	17.8	17.8	42.5	20.2	38.1
		8	18.5	16.8	17	14	37.8	17	30.7
		10	18.5	18.5	17	17	39.9	20	36.7
		8	21	16.8	20.8	20.8	50.1	23.3	44.1
		10	21	18.5	20	17	42.6	20	36.7
		12	21	21	20	20	44.8	23	42.7

Ordering Example

Please order after selecting part number and parameters according to the selection steps 1 to 3.

Part Number (1 Type · 2 D₁) - (3 D₂)
E-PACK-MSSPY6 - 6

How to search on website



By Type Search on MISUMI official website
E-PACK-MSFPY

By Keyword Step 1 Search on MISUMI official website Step 2 Select MISUMI economy series brand
union y

MISUMI MISUMI economy

MISUMI contact

Tel: 038-959200 or 1382
Email: cs@misumi.co.th

MISUMI WEB "Chat"



Install MISUMI APP



New Products



Representative model: E-PACK-MSSNPC6-1

Save Up to **47%** vs Standard Type

Shipping from **1 day**

1,220 THB

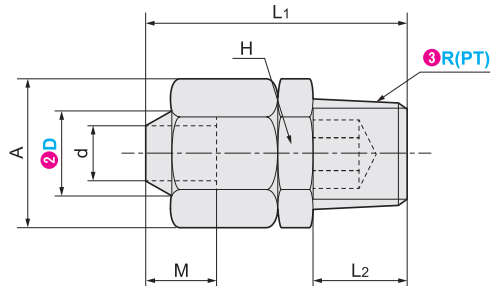
Volume Discount

Quantity	1~3	4~5	6~
Discount	Unit Price	15%	30%



Shipping days may differ by Quantity.
Quantity of volume discount above is for representative Part No. It may differ by the Part.

Type	Material		Surface Treatment
	Body	Seal	
E-PACK-MSFNPC	SUS304	FKM70	-
E-PACK-MSSNPC	SUS316		



Part Number		③ Connecting Thread Nominal R	Thread Size R	Applicable Tube I.D. d	L1	L2	A	H	M	
① Type	② Applicable Tube O.D. D									
E-PACK-MSFNPC (SUS304)	4	M5	M5	2.5	18.1	4	8.9	8	4	
		1	R1/8		21	7.5	11.1	10	4	
		2	R1/4		23	9.5	15.5	14	4	
	6	6	M5	M5	4	24	4	13.3	12	6
			1	R1/8		25	7.5	13.3	12	6
			2	R1/4		27	9.5	15.5	14	6
			3	R3/8		28	10.5	18.8	17	6
	8	8	1	R1/8	6	25.5	7.5	15.5	14	6.5
			2	R1/4		27.5	9.5	15.5	14	6.5
			3	R3/8		28.5	10.5	18.8	17	6.5
	E-PACK-MSSNPC (SUS316) (5~10 pcs included)	10	4	R1/2	8	30.5	12.5	23.3	21	6.5
			1	R1/8		27.5	7.5	18.8	17	7.5
2			R1/4	29.5		9.5	18.8	17	7.5	
3			R3/8	30.5		10.5	18.8	17	7.5	
12		12	1	R1/8	10	30.5	7.5	21.1	19	10
			2	R1/4		32.5	9.5	21.1	19	10
			3	R3/8		33.5	10.5	21.1	19	10
			4	R1/2		35.5	12.5	23.3	21	10
16		16	3	R3/8	13	38.5	10.5	24.4	22	12
			4	R1/2		40.5	12.5	24.4	22	12

Ordering Example

Please order after selecting part number and parameters according to the selection steps ① to ③.

Part Number (①Type · ②D) - ③R
E-PACK-MSSNPC6 - 1

How to search on website



By Type

Search on MISUMI official website

E-PACK-MSFNPC

By Keyword

Step 1 Search on MISUMI official website

compression fitting

Step 2 Select MISUMI economy series brand

MISUMI MISUMI economy

MISUMI contact

Tel: 038-959200 or 1382
Email: cs@misumi.co.th

MISUMI WEB "Chat"



Install MISUMI APP



16

Fittings / Tubes

Plastic Fittings

P.1087

Brass Fittings / Plugs

P.1116

Stainless Steel Fittings / Plugs

P.1133

Speed Controllers / Hand Valves / Tubes

P.1150

Stainless Steel Screw-in Fittings / Brass Hose Fittings

P.1161

New Products



Representative model: E-PACK-MSSNPL6-1

Save Up to **62%** vs Standard Type

1,532 THB

Shipping from **1 day**

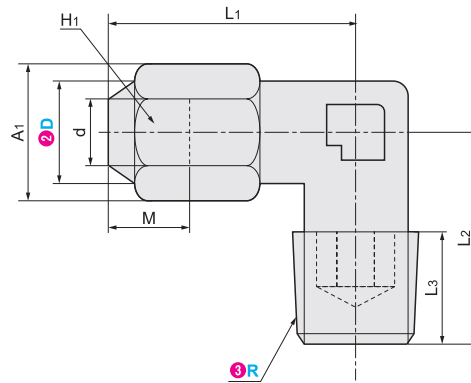
Volume Discount

Quantity	1~3	4~5	6~
Discount	Unit Price	15%	30%



Shipping days may differ by Quantity.
Quantity of volume discount above is for representative Part No. It may differ by the Part.

Type	Material		Surface Treatment
	Body	Seal	
E-PACK-MSFNPL	SUS304	FKM70	-
E-PACK-MSSNPL	SUS316		



16 Fittings / Tubes

Plastic Fittings P.1087

Brass Fittings / Plugs P.1116

Stainless Steel Fittings / Plugs P.1133

Speed Controllers / Hand Valves / Tubes P.1150

Stainless Steel Screw-In Fittings / Brass Hose Fittings P.1161

Part Number	Connecting Thread Nominal R	Thread Size R	Applicable Tube I.D. d	L1	L2	L3	H1	A1	M	
E-PACK-MSFNPL (SUS304)	M5	M5	2.5	14	14	4	8	9	4	
				19	16.7	7.5	8	9	4	
	M5	M5	4	20.9	14.7	4	12	13.3	6	
				20.9	17.5	7.5	12	13.3	6	
				22.3	19.5	9.5	12	13.3	6	
				20.9	24.9	10.5	12	13.3	6	
	M5	M5	6	22.2	17.8	7.5	14	15.5	6.5	
				22.2	19.2	9.5	14	15.5	6.5	
				24.9	22.8	10.5	14	15.5	6.5	
				22.2	27	12.5	14	15.5	6.5	
	E-PACK-MSSNPL (SUS316) (5~10 pcs included)	M5	M5	8	24.9	19	7.5	17	18.8	7.5
					24.9	21	9.5	17	18.8	7.5
M5		M5	8	24.9	22	10.5	17	18.8	7.5	
				24.9	29.7	12.5	17	18.8	7.5	
M5		M5	10	29.6	20.8	7.5	19	21.1	10	
				29.6	22.8	9.5	19	21.1	10	
				29.6	23.8	10.5	19	21.1	10	
				31	26.5	12.5	19	21.1	10	
M5	M5	13	33.5	26	10.5	22	24.4	12		
			33.5	28	12.5	22	24.4	12		

Ordering Example

Please order after selecting part number and parameters according to the selection steps 1 to 3.

Part Number (1)Type · (2)D - (3)R
E-PACK-MSSNPL6 - 1

How to search on website



By Type

Search on MISUMI official website

E-PACK-MSFNPL

By Keyword

Step 1 Search on MISUMI official website

compression fitting

Step 2 Select MISUMI economy series brand

MISUMI economy

MISUMI contact

Tel: 038-959200 or 1382
Email: cs@misumi.co.th

MISUMI WEB "Chat"



Install MISUMI APP



New Products



Representative model: E-PACK-MSSNPM6

Save Up to **51%** vs Standard Type

2,627 THB

Shipping from **1 day**

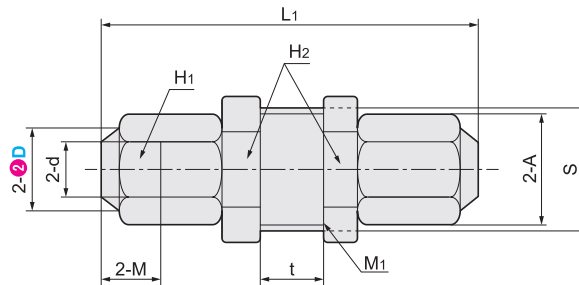
Volume Discount

Quantity	1~3	4~5	6~
Discount	Unit Price	15%	30%



Shipping days may differ by Quantity.
Quantity of volume discount above is for representative Part No. It may differ by the Part.

Type	Material		Surface Treatment
	Body	Seal	
E-PACK-MSFNPM	SUS304	FKM70	-
E-PACK-MSSNPM	SUS316		



Part Number		Applicable Tube I.D. d	L1	H1	A	M	H2	S	t	M1
① Type	② Applicable Tube O.D. D									
E-PACK-MSFNPM (SUS304)	4	2.5	32	8	9	4	14	13	6	M12×1
	6	4	36	12	13.3	6	17	15	7	M14×1
	8	6	41	14	15.5	6.5	19	17	8	M16×1
E-PACK-MSSNPM (SUS316) (5~10 pcs included)	10	8	45	17	18.8	7.5	21	20	9	M19×1
	12	10	48	19	21.1	10	26	23	10	M22×1
	16	13	52	22	24.4	12	29	27	10	M26×1

Ordering Example

Please order after selecting part number and parameters according to the selection steps ① to ②.

Part Number (①Type · ②D)
E-PACK-MSSNPM6

How to search on website



By Type

Search on MISUMI official website

E-PACK-MSFNPM

By Keyword

Step 1 ▶ Search on MISUMI official website

compression fitting

Step 2 ▶ Select MISUMI economy series brand

MISUMI MISUMI economy

MISUMI contact

Tel: 038-959200 or 1382
Email: cs@misumi.co.th

MISUMI WEB "Chat"



Install MISUMI APP



16

Fittings / Tubes

Plastic Fittings

P.1087

Brass Fittings / Plugs

P.1116

Stainless Steel Fittings / Plugs

P.1133

Speed Controllers / Hand Valves / Tubes

P.1150

Stainless Steel Swivel Fittings / Brass Hose Fittings

P.1161

New Products



Representative model: E-PACK-MSSNPV6

Save Up to **43%** vs Standard Type

2,139 THB

Shipping from **1 day**

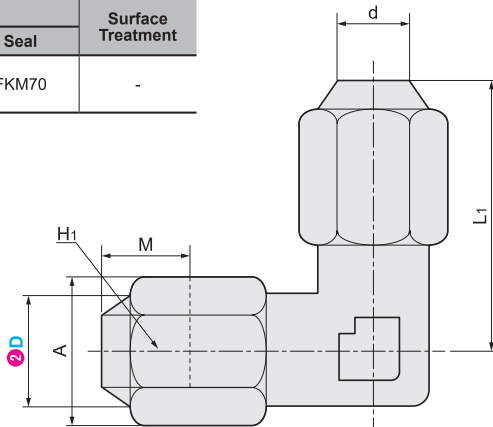
Volume Discount

Quantity	1~3	4~5	6~
Discount	Unit Price	15%	30%



Shipping days may differ by Quantity.
Quantity of volume discount above is for representative Part No. It may differ by the Part.

Type	Material		Surface Treatment
	Body	Seal	
E-PACK-MSFNPV	SUS304	FKM70	-
E-PACK-MSSNPV	SUS316		



Part Number		Applicable Tube I.D. d	L1	A	H1	M	
1 Type	2 Applicable Tube O.D. D						
E-PACK-MSFNPV (SUS304)	4	2.5	14	9	8	4	
	6	4	20.5	13.3	12	6	
	8	6	22.2	15.5	14	6.5	
	E-PACK-MSSNPV (SUS316) (5~10 pcs included)	10	8	25.3	18.8	17	7.5
		12	10	29.4	21.1	19	10
		16	13	33.8	24.4	22	12

Ordering Example

Please order after selecting part number and parameters according to the selection steps 1 to 2.

Part Number (1 Type · 2 D)
E-PACK-MSSNPV6

How to search on website



By Type: Search on MISUMI official website
E-PACK-MSFNPV

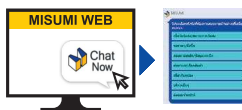
By Keyword: Step 1 Search on MISUMI official website
compression fitting

Step 2 Select MISUMI economy series brand
 MISUMI MISUMI economy

MISUMI contact

Tel: 038-959200 or 1382
Email: cs@misumi.co.th

MISUMI WEB "Chat"



Install MISUMI APP



New Products



Representative model: E-PACK-MSSNPU6-6

Save Up to **69%** vs Standard Type

1,738 THB

Shipping from **1 day**

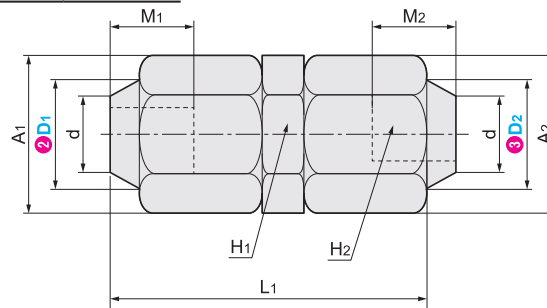
Volume Discount

Quantity	1~3	4~5	6~
Discount	Unit Price	15%	30%



Shipping days may differ by Quantity.
Quantity of volume discount above is for representative Part No. It may differ by the Part.

Type	Material		Surface Treatment
	Body	Seal	
E-PACK-MSFNPU	SUS304	FKM70	-
E-PACK-MSSNPU	SUS316		



Part Number		③ Applicable Tube O.D. D ₂	Applicable Tube I.D. d	H ₁	A ₁	H ₂	A ₂	M ₁	M ₂	L ₁
① Type	② Applicable Tube O.D. D ₁									
E-PACK-MSFNPU (SUS304)	4	4	2.5	8	9	8	9	4	4	22
	6	4	2.5	12	13.3	8	9	6	4	26
		6	4	12	13.3	12	13.3	6	6	30
	8	4	2.5	14	15.5	8	9	6.5	4	26.5
6		4	14	15.5	12	13.3	6.5	6	30.5	
E-PACK-MSSNPU (SUS316) (5~10 pcs included)	10	6	4	17	18.8	12	13.3	7.5	6	31.5
		8	6	17	18.8	14	15.5	7.5	6.5	32
12	8	8	17	18.8	17	18.8	7.5	7.5	35	
	8	6	19	21.1	14	15.5	10	6.5	36	
	10	8	19	21.1	17	18.8	10	7.5	38	
	12	10	19	21.1	19	21.1	10	10	41	
16	12	10	22	24.4	19	21.1	12	10	45.5	
	16	13	22	24.4	22	24.4	12	12	50	

Ordering Example

Please order after selecting part number and parameters according to the selection steps ① to ③.

Part Number (①Type · ②D₁) - ③D₂
E-PACK-MSSNPU6 - 6

How to search on website



By Type Search on MISUMI official website
E-PACK-MSFNPU

By Keyword Step 1 Search on MISUMI official website
compression fitting

Step 2 Select MISUMI economy series brand

MISUMI economy

MISUMI contact

Tel: 038-959200 or 1382
Email: cs@misumi.co.th

MISUMI WEB "Chat"



Install MISUMI APP



16

Fittings / Tubes

Plastic Fittings

P.1087

Brass Fittings / Plugs

P.1116

Stainless Steel Fittings / Plugs

P.1133

Speed Controllers / Hand Valves / Tubes

P.1150

Stainless Steel Screw-in Fittings / Brass Hose Fittings

P.1161

New Products



Representative model: E-PACK-MSSNPE6-6

Save Up to **56%** vs Standard Type

1,560 THB

Shipping from **1 day**

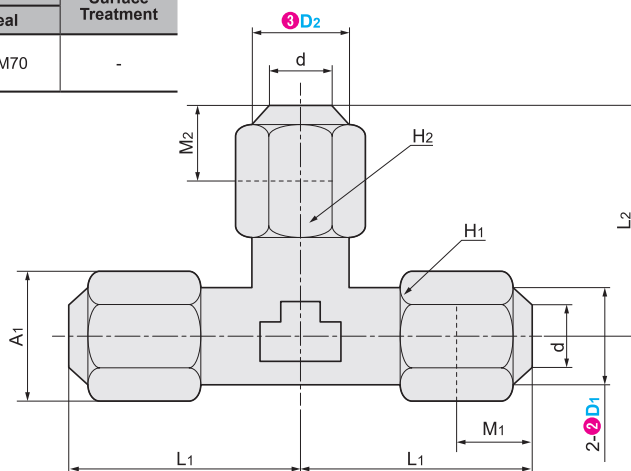
Volume Discount

Quantity	1~3	4~5	6~
Discount	Unit Price	15%	30%



Shipping days may differ by Quantity.
Quantity of volume discount above is for representative Part No. It may differ by the Part.

Type	Material		Surface Treatment
	Body	Seal	
E-PACK-MSFNPE	SUS304	FKM70	-
E-PACK-MSSNPE	SUS316		



16
Fittings / Tubes

Plastic Fittings

P.1087
Brass Fittings / Plugs

P.1116
Stainless Steel Fittings / Plugs

P.1133
Speed Controllers / Hand Valves / Tubes

P.1161
Stainless Steel Screw-In Fittings / Brass Hose Fittings

Part Number	Applicable Tube O.D. D ₁	Applicable Tube O.D. D ₂	Applicable Tube I.D. d	M ₁	M ₂	D ₁	D ₂	L ₁	L ₂	H ₁	H ₂
E-PACK-MSFNPE (SUS304)	4	4	2.5	4	4	1.9	1.9	14	14	8	8
	6	4	2.5	6	4	3.8	1.9	20.4	16.4	12	8
		6	4	6	6	3.8	3.8	20.4	20.4	12	12
	E-PACK-MSSNPE (SUS316) (2~5 pcs included)	8	4	2.5	6.5	4	5.8	1.9	21.7	17.2	14
6			4	6.5	6	5.8	3.8	21.7	21.2	14	12
10		6	4	7.5	6	7.8	3.8	24.9	23.1	17	12
		8	6	7.5	6.5	7.8	5.8	24.9	23.6	17	14
12	8	6	7.5	7.5	7.8	7.8	24.9	24.9	17	17	
	10	8	10	6.5	9.8	5.8	29.1	25.5	19	14	
	10	8	10	7.5	9.8	7.8	29.1	27.5	19	17	
	12	10	10	10	9.8	9.8	29.1	29.1	19	19	
16	12	10	12	10	12.7	9.8	33.1	29.1	22	19	
	16	13	12	12	12.7	12.7	33.1	33.1	22	22	

Ordering Example

Please order after selecting part number and parameters according to the selection steps 1 to 3.
Part Number (1Type · 2D₁) - (3D₂)
E-PACK-MSSNPE6 - 6

How to search on website



By Type Search on MISUMI official website
E-PACK-MSFNPE

By Keyword Step 1 Search on MISUMI official website
compression fitting

Step 2 Select MISUMI economy series brand
 MISUMI **MISUMI economy**

MISUMI contact

Tel: 038-959200 or 1382
 Email: cs@misumi.co.th

MISUMI WEB "Chat"



Install MISUMI APP



New Products



Representative model: E-PACK-MSSPB1

Save Up to **29%** vs Standard Type

740

THB



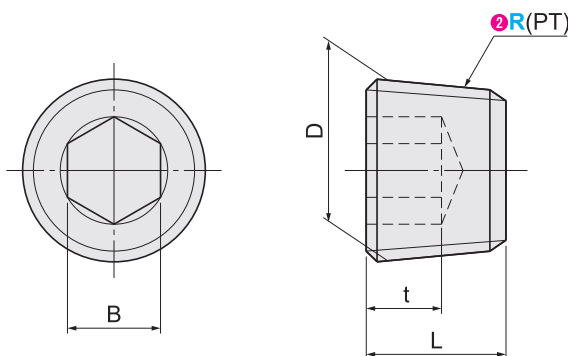
Volume Discount

Quantity	1~3	4~5	6~
Discount	Unit Price	15%	30%



Shipping days may differ by Quantity.
Quantity of volume discount above is for representative Part No. It may differ by the Part.

Type	Material	Surface Treatment
E-PACK-MSFPB	SUS304	-
E-PACK-MSSPB	SUS316	



Part Number		Thread Size R	L	B	D	t	
1 Type	2 Connecting Thread Nominal R						
E-PACK-MSFPB (SUS304)	1	R1/8	7	4	9.7	4.8	
	2	R1/4	9	6	13.1	5	
	E-PACK-MSSPB (SUS316) (20 pcs included)	3	R3/8	10	8	16.6	8
		4	R1/2	12	10	20.9	8

Ordering Example

Please order after selecting part number and parameters according to the selection steps 1 to 2.

Part Number (1Type · 2R)
E-PACK-MSSPB1

How to search on website



By Type Search on MISUMI official website
E-PACK-MSFPB

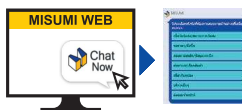
By Keyword Step 1 Search on MISUMI official website
screw-in plug

Step 2 Select MISUMI economy series brand
 MISUMI **MISUMI economy**

MISUMI contact

Tel: 038-959200 or 1382
Email: cs@misumi.co.th

MISUMI WEB "Chat"



Install MISUMI APP



16

Fittings / Tubes

Plastic Fittings

P.1087

Brass Fittings / Plugs

P.1116

Stainless Steel Fittings / Plugs

P.1133

Speed Controllers / Hand Valves / Tubes

P.1150

Stainless Steel Screw-in Fittings / Brass Hose Fittings

P.1161

New Products



Representative model: E-PACK-MSSPZ1

Save Up to **29%** vs Standard Type

740

THB



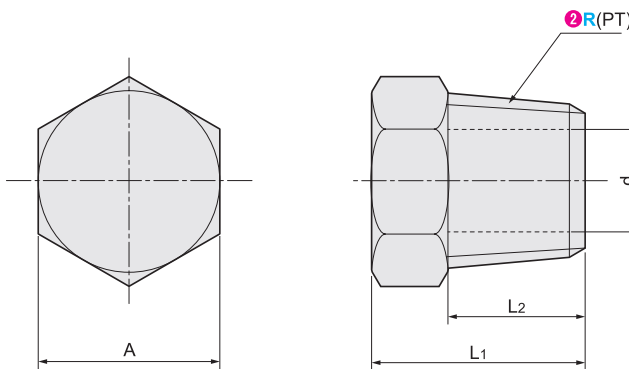
Volume Discount

Quantity	1~3	4~5	6~
Discount	Unit Price	15%	30%



Shipping days may differ by Quantity.
Quantity of volume discount above is for representative Part No. It may differ by the Part.

Type	Material	Surface Treatment
E-PACK-MSFPZ	SUS304	-
E-PACK-MSSPZ	SUS316	-



16 Fittings / Tubes

Plastic Fittings

P.1087

Brass Fittings / Plugs

P.1116

Stainless Steel Fittings / Plugs

P.1133

Speed Controllers / Hand Valves / Tubes

P.1150

Stainless Steel Screw-In Fittings / Brass Hose Fittings

P.1161

Part Number		Thread Size R	L1	L2	A	d
1 Type	2 Connecting Thread Nominal R					
E-PACK-MSFPZ (SUS304)	1	R1/8	12.5	7.5	12	6
	2	R1/4	14.5	9.5	14	8
E-PACK-MSSPZ (SUS316) (20 pcs included)	3	R3/8	15.5	10.5	17	10.6
	4	R1/2	17.5	12.5	21	14.5

Ordering Example

Please order after selecting part number and parameters according to the selection steps 1 to 2.

Part Number (1Type · 2R)
E-PACK-MSSPZ1

How to search on website



By Type: Search on MISUMI official website
E-PACK-MSFPZ

By Keyword: Step 1 Search on MISUMI official website
screw-in plug

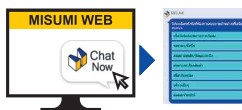
Step 2 Select MISUMI economy series brand



MISUMI contact

Tel: 038-959200 or 1382
Email: cs@misumi.co.th

MISUMI WEB "Chat"



Install MISUMI APP



Representative model: PACK-MESLA6-1

Save Up to **70%**
vs Standard Type

Shipping
from
1 day

1,269 THB

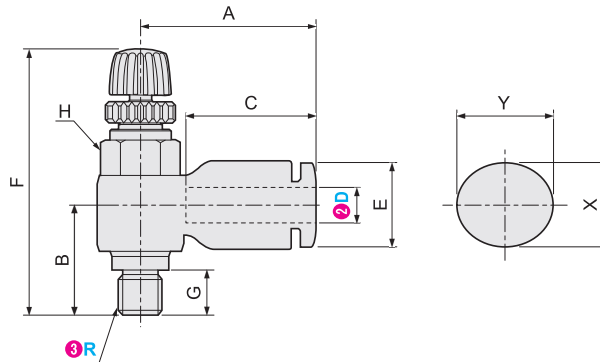
Volume Discount

Quantity	1~3	4~5	6~
Discount	Unit Price	15%	30%



Shipping days may differ by Quantity.
Quantity of volume discount above is for representative Part No. It may differ by the Part.

Material		Surface Treatment	
Body	Threaded Part	Body	Threaded Part
PBT	Brass / Zinc Alloy	-	Nickel Plating



Part Number		③ Thread Nominal R	Thread Size R	F (MIN)	F (MAX)	G	A	B	C	E	Width Across H	X	Y
① Type	② Tube Nominal Diameter D												
PACK-MESLA (Outlet Control)	4	M5	M5	29.5	32	3.5	20.2	11.2	15.3	9.9	8	10.5	12
		1	R1/8	40.5	46.5	9.5	22.5	16.1			10		
	6	M5	M5	29.5	32	3.5	26	11.9	16.5	11.8	8	12.5	14
		1	R1/8	40.5	46.5	9.5	24	16.1			10		
	8	2	R1/4	45.3	52.3	11.4	26.1	18.7	19	13.8	14	14	16
		1	R1/8	40.5	46.5	9.5	26	16.9			10		
PACK-MESLB (Inlet Control)	10	3	R3/8	50.8	57	12.8	29.5	21.2	21.3	16.8	19	17	19.5
		2	R1/4	45.3	52.3	11.4	32.1	21.4			14		
	12	*3	R3/8	50.8	57	12.8	37.3	23.2	24.4	19.8	19	20.5	23
		*4	R1/2	55.5	62	15.5	35.7	26.5			24		

*Material of the threaded part is zinc alloy.

Ordering Example

Please order after selecting part number and parameters according to the selection steps ① to ③.

Part Number (①Type · ②Tube Nominal Diameter D) - (③Thread Nominal R)
PACK-MESLA6 - 1



By Type: Search on MISUMI official website
PACK-MESLA

By Keyword: Step 1 Search on MISUMI official website
speed controller

Step 2 Select MISUMI economy series brand



MISUMI contact

Tel: 038-959200 or 1382
Email: cs@misumi.co.th

MISUMI WEB "Chat"



Install MISUMI APP



16

Fittings / Tubes

Plastic Fittings

P.1087

Brass Fittings / Plugs

P.1116

Stainless Steel Fittings / Plugs

P.1133

Speed Controllers / Hand Valves / Tubes

P.1150

Stainless Steel Screw-in Fittings / Brass Hose Fittings

P.1161

Representative model: PACK-MESA6

Save Up to **70%** vs Standard Type

Shipping from **1 day**



1,612 THB

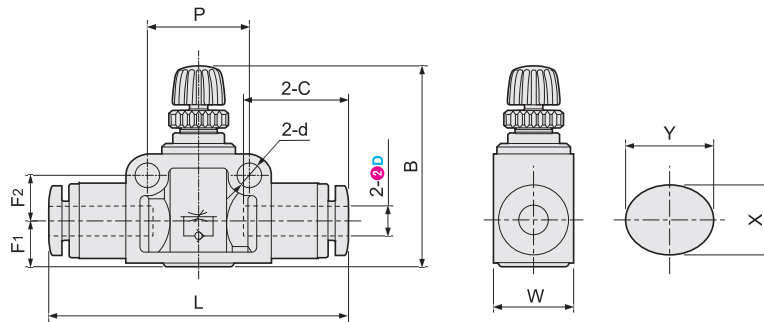
Volume Discount

Quantity	1~3	4~5	6~
Discount	Unit Price	15%	30%



Shipping days may differ by Quantity.
Quantity of volume discount above is for representative Part No. It may differ by the Part.

Material
Body
PBT



Part Number	B	L	P	C	F1	F2	W	d	X	Y		
											(MIN)	(MAX)
1 Type	2 Tube Nominal Diameter D											
PACK-MESA	4	28.5	31	41.2	14	15.3	6.5	6.5	11.5	3.2	10.5	12
	6	43	49	50	20	16.6	11	8.5	15	4.3	12.5	14
	8	45	52	56	22	19	11.9	9.5	18		14	16
	10	49.5	55.5	67	26	22.5	11.7	11.3	21		17	19.5
	12	55.5	61.5	77.7	32	24.5	16	13	28		20.5	23

Ordering Example

Please order after selecting part number and parameters according to the selection steps 1 to 2.

Part Number (1Type · 2Tube Nominal Diameter D)
PACK-MESA6

How to search on website



By Type

Search on MISUMI official website

PACK-MESA



By Keyword

Step 1 Search on MISUMI official website

speed controller



Step 2 Select MISUMI economy series brand

MiSUMI



MISUMI contact

Tel: 038-959200 or 1382
Email: cs@misumi.co.th

MISUMI WEB "Chat"



Install MISUMI APP



New Products



Representative model: E-PACK-MBSLA6-1

Save Up to **51%** vs Standard Type

1,897 THB

Shipping from **1 day**

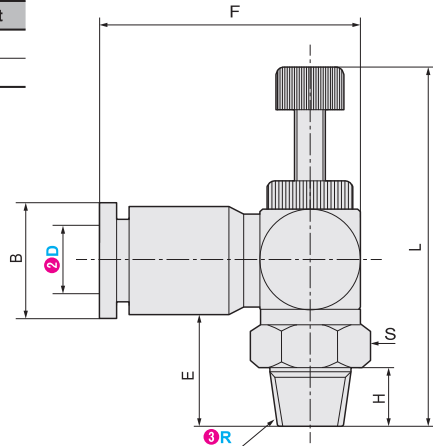
Volume Discount

Quantity	1~3	4~5	6~
Discount	Unit Price	15%	30%



Shipping days may differ by Quantity.
Quantity of volume discount above is for representative Part No. It may differ by the Part.

Part	Material	Surface Treatment
Body	Brass	Nickel Plating
Seal	FKM70	-



Part Number		③ Connecting Thread Nominal R	Thread Size R	B	E	F	L	H	S
① Type	② Applicable Tube O.D. D								
E-PACK-MBSLA (5~10 pcs included)	4	M5	M5	8.8	12.9	24.1	33.7	4	10
		1	R1/8	8.8	14.2	24.1	43	7	12
		2	R1/4	8.8	17.5	27.1	46.5	9	15
	6	M5	M5	11.5	11.7	29.7	33.7	4	10
		1	R1/8	11.5	14.5	27.2	43	7	12
		2	R1/4	11.5	17.5	30.2	46.5	9	15
		3	R3/8	11.5	22	34.2	52.8	10	19
	8	4	R1/2	11.5	23.5	36.2	54.3	11	23
		1	R1/8	13.8	13.5	31.6	43	7	12
		2	R1/4	13.8	16.5	34.6	46.5	9	15
		3	R3/8	13.8	21	38.6	52.8	10	19
	10	4	R1/2	13.8	22.5	40.6	54.3	11	23
		1	R1/8	15.8	12.2	33.6	43	7	12
		2	R1/4	15.8	15.2	36.6	46.5	9	15
		3	R3/8	15.8	19.7	40.6	52.8	10	19
	12	4	R1/2	15.8	21.2	42.6	54.3	11	23
		1	R1/8	18.5	11	36.8	43	7	12
		2	R1/4	18.5	14	39.8	46.5	9	15
		3	R3/8	18.5	18.5	43.8	52.8	10	19
			4	R1/2	18.5	20	45.8	54.3	11

Ordering Example: Please order after selecting part number and parameters according to the selection steps ① to ③.
 Part Number (①Type · ②D) - ③R
 E-PACK-MBSLA6 - 1

How to search on website

By Type: Search on MISUMI official website **E-PACK-MBSLA**

By Keyword: Step 1 ▶ Search on MISUMI official website **speed controller** Step 2 ▶ Select MISUMI economy series brand MISUMI MISUMI economy

MISUMI contact
 Tel: 038-959200 or 1382
 Email: cs@misumi.co.th

MISUMI WEB "Chat"

Install MISUMI APP

16
 Fittings / Tubes
 Plastic Fittings
 P.1087
 Brass Fittings / Plugs
 P.1116
 Stainless Steel Fittings / Plugs
 P.1133
 Speed Controllers / Hand Valves / Tubes
 P.1150
 Stainless Steel Screw-in Fittings / Brass Hose Fittings
 P.1161

New Products



Representative model: E-PACK-MBNSLA6-1

Save Up to **47%** vs Standard Type

1,020 THB

Shipping from **1 day**

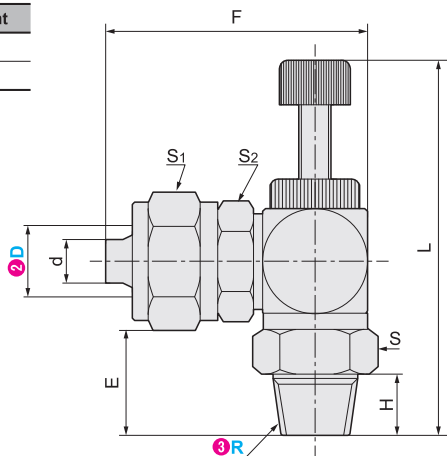
Volume Discount

Quantity	1~3	4~5	6~
Discount	Unit Price	15%	30%



Shipping days may differ by Quantity.
Quantity of volume discount above is for representative Part No. It may differ by the Part.

Part	Material	Surface Treatment
Body	Brass	Nickel Plating
Seal	FKM70	-



Part Number		③ Connecting Thread	Thread Size	Applicable Tube I.D.	E	F	L	H	S	S1	S2	
① Type	② Applicable Tube O.D. D	Nominal R	R	d								
E-PACK-MBNSLA (5 pcs included)	4	M5	M5	2.5	12.6	24.5	33.7	4	10	8	8	
		1	R1/8		13	26.5	43	7	12	8	12	
		2	R1/4		16	29.5	46.5	9	15	8	12	
	6	6	M5	M5	4	11.5	25.6	33.7	4	10	10	10
			1	R1/8		13	27.6	43	7	12	10	12
			2	R1/4		16	30.6	46.5	9	15	10	12
			3	R3/8		20.6	34.6	52.8	10	19	10	12
	8	8	1	R1/8	5	12	30	43	7	12	14	12
			2	R1/4		15	33	46.5	9	15	14	12
			3	R3/8		19.5	37	52.8	10	19	14	12
			4	R1/2		21	39	54.3	11	23	14	12
	10	10	1	R1/8	6.5	11.3	30.8	43	7	12	15	14
2			R1/4	14.3		33.8	46.5	9	15	15	14	
3			R3/8	18.8		37.8	52.8	10	19	15	14	
4			R1/2	20.3		39.8	54.3	11	23	15	14	
12	12	1	R1/8	8	10.1	34.3	43	7	12	17	15	
		2	R1/4		13.1	37.3	46.5	9	15	17	15	
		3	R3/8		17.6	41.3	52.8	10	19	17	15	
		4	R1/2		19.1	43.3	54.3	11	23	17	15	

Ordering Example

Please order after selecting part number and parameters according to the selection steps ① to ③.
Part Number (①Type · ②D) - **③R**
E-PACK-MBNSLA6 - **1**

How to search on website



By Type: Search on MISUMI official website
E-PACK-MBNSLA

By Keyword: Step 1 ▶ Search on MISUMI official website
speed controller

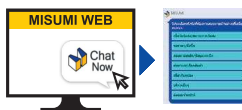
Step 2 ▶ Select MISUMI economy series brand



MISUMI contact

Tel: 038-959200 or 1382
 Email: cs@misumi.co.th

MISUMI WEB "Chat"



Install MISUMI APP



New Products



Representative model: E-PACK-MSSLA6-1

Save Up to **30%**
vs Standard Type

1,708 THB

Shipping from **1 day**

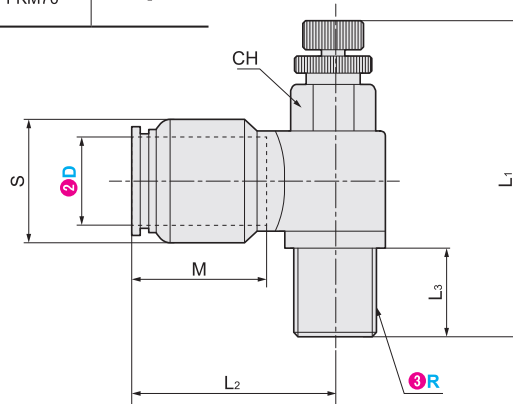
Volume Discount

Quantity	1~3	4~5	6~
Discount	Unit Price	15%	30%



Shipping days may differ by Quantity.
Quantity of volume discount above is for representative Part No. It may differ by the Part.

Type	Material		Surface Treatment
	Body	Seal	
E-PACK-MSFLA	SUS304	FKM70	-
E-PACK-MSSLA	SUS316		



Part Number		③ Connecting Thread Nominal	Thread Size	M	L ₁	L ₂	L ₃	S	CH
① Type	② Applicable Tube O.D. D	R	R						
E-PACK-MSFLA (SUS304)	4	M5	M5	14.2	34.5	28	7.5	10	8
		1	R1/8	14.2	34.5	28	7.5	10	12
		2	R1/4	14.2	43	28	9.5	10	15
E-PACK-MSFLA (SUS304)	6	M5	M5	15.2	34.5	28	7.5	12	8
		1	R1/8	11.5	34.5	28	7.5	12	12
		2	R1/4	11.5	43	28	9.5	12	15
E-PACK-MSSLA (SUS316) (2 pcs included)	8	1	R1/8	16.8	34.5	30	7.5	14	12
		2	R1/4	16.8	43	30	9.5	14	15
		3	R3/8	16.8	47.3	33	10.5	14	19
E-PACK-MSSLA (SUS316) (2 pcs included)	10	4	R1/2	16.8	51	33	12.5	14	22
		2	R1/4	18.5	43	32.5	9.5	17	15
		3	R3/8	18.5	47.3	35	10.5	17	19
E-PACK-MSSLA (SUS316) (2 pcs included)	12	4	R1/2	18.5	51	35	12.5	17	22
		2	R1/4	21	43	36	9.5	20	15
		3	R3/8	21	47.3	38	10.5	20	19
E-PACK-MSSLA (SUS316) (2 pcs included)	12	4	R1/2	21	51	38	12.5	20	22

Ordering Example

Please order after selecting part number and parameters according to the selection steps ① to ③.

Part Number (①Type · ②D) - ③R
E-PACK-MSSLA6 - 1

How to search on website



By Type Search on MISUMI official website
E-PACK-MSFLA

By Keyword Step 1 ▶ Search on MISUMI official website
speed controller

Step 2 ▶ Select MISUMI economy series brand



MISUMI contact

Tel: 038-959200 or 1382
Email: cs@misumi.co.th

MISUMI WEB "Chat"



Install MISUMI APP

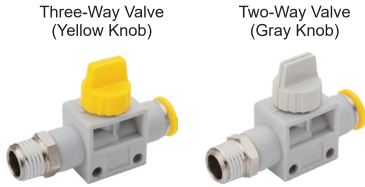


New Products

Representative model: PACK-MEHVFS6-1-3

Save Up to **60%** vs Standard Type

Shipping from **1 day**



2,628 THB

Volume Discount

Quantity	1~3	4~5	6~
Discount	Unit Price	15%	30%

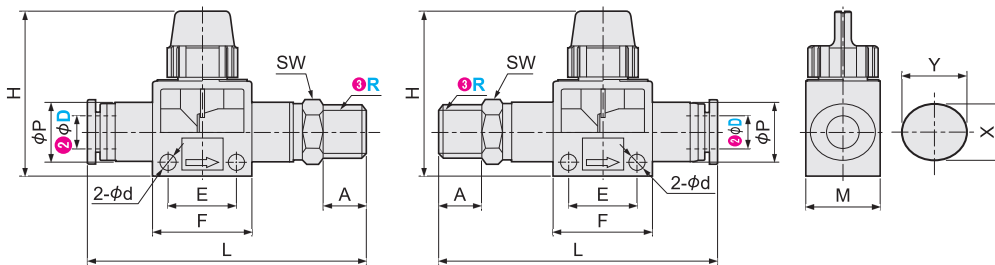


Shipping days may differ by Quantity.
Quantity of volume discount above is for representative Part No. It may differ by the Part.

Material		Surface Treatment	
Body	Threaded Part	Body	Threaded Part
PBT	Brass	-	Nickel Plating

Flow Direction: Tube → Threaded Part
PACK-MEHVFS

Flow Direction: Threaded Part → Tube
PACK-MEHVSF



Part Number		③ Tube Thread Nominal R	④ Two-Way Valve / Three-Way Valve	R	A	φP	φd	E	F	L	H	M	SW	X	Y	
① Type	② Connection Tube Diameter D			①	②	③	④	⑤	⑥	⑦	⑧	⑨	⑩	⑪	⑫	⑬
PACK-MEHVFS (Tube → Threaded Part)	4	M5	③ (Three-Way Valve- Yellow Knob)	M5	8	4.2	15	16.5	24	60	41	18	10	14	12.5	
	6	1		R1/8	7.5											58.5
		2		R1/4	9.5											62
		3		R3/8	10.5											62.5
PACK-MEHVSF (Threaded Part → Tube)	8	1	② (Two-Way Valve- Gray Knob)	R1/8	7.5	59	14	14	16							
		2		R1/4	9.5	61.5										
	10	3		R3/8	10.5	63	17	19.5								
		2		R1/4	9.5	71.5										
		3		R3/8	10.5	78										
	12	4		R1/2	13.5	80	21	20.5	23							
		2		R1/4	9.5	72										
		3		R3/8	10.5	73										
				R1/2	13.5	76										

Ordering Example

Please order after selecting part number and parameters according to the selection steps ① to ④.

Part Number (① Type · ② Connection Tube Diameter D) - ③ Tube Thread Nominal R - ④ Two-Way Valve / Three-Way Valve
PACK-MEHVFS6 - 1 - 3

How to search on website



By Type

Search on MISUMI official website

PACK-MEHVFS



By Keyword

Step 1 ▶ Search on MISUMI official website

hand valve



Step 2 ▶ Select MISUMI economy series brand

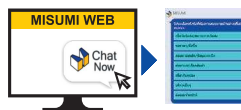
MiSUMI



MISUMI contact

Tel: 038-959200 or 1382
Email: cs@misumi.co.th

MISUMI WEB "Chat"



Install MISUMI APP



16

Fittings / Tubes

Plastic Fittings

P.1087

Brass Fittings / Plugs

P.1116

Stainless Steel Fittings / Plugs

P.1133

Speed Controllers / Hand Valves / Tubes

P.1150

Stainless Steel Screw-In Fittings / Brass Hose Fittings

P.1161

Representative model: PACK-MEHVFF6-3

Save Up to **51%**
vs Standard Type


Shipping
from
1 day



2,243 THB

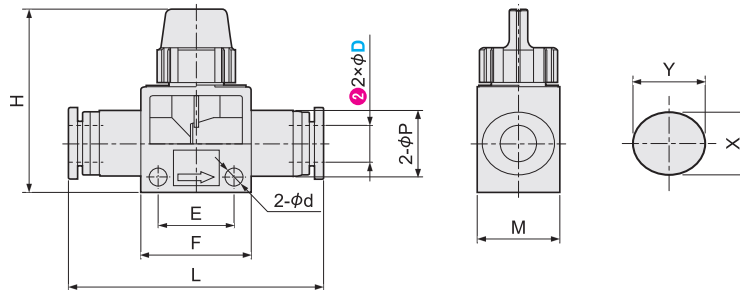
Volume Discount

Quantity	1~3	4~5	6~
Discount	Unit Price	15%	30%



Shipping days may differ by Quantity.
Quantity of volume discount above is for representative Part No. It may differ by the Part.

Material
Body
PBT



Part Number		Two-Way Valve / Three-Way Valve	φP	φd	E	F	L	H	M	X	Y
Type	Connection Tube Diameter D										
PACK-MEHVFF	4	3 (Three-Way Valve- Yellow Knob)	15	4.2	16.5	24	51	40	18	10.5	12
	6									12.5	14
	8	14								16	
	10	17		19.5							
	12	20.5		23							
		2 (Two-Way Valve- Gray Knob)	21		21.5	29	63	45	22		

Ordering Example

Please order after selecting part number and parameters according to the selection steps 1 to 3.

Part Number (1 Type · 2 Connection Tube Diameter D) - 3 Two-Way Valve / Three-Way Valve
PACK-MEHVFF6 - 3

How to search on website



By Type: Search on MISUMI official website
PACK-MEHVFF

By Keyword: Step 1 Search on MISUMI official website
hand valve

Step 2 Select MISUMI economy series brand

MISUMI MISUMI economy

MISUMI contact

Tel: 038-959200 or 1382
Email: cs@misumi.co.th

MISUMI WEB "Chat"



Install MISUMI APP



16

Fittings / Tubes

Plastic Fittings

P.1087

Brass Fittings / Plugs

P.1116

Stainless Steel Fittings / Plugs

P.1133

Speed Controllers / Hand Valves / Tubes

P.1150

Stainless Steel Screw-in Fittings / Brass Hose Fittings

P.1161

+ New Specs



Representative model: MET6-200-B

Save Up to **71%** vs Standard Type

2,472 THB

Shipping from **1 day**

Volume Discount

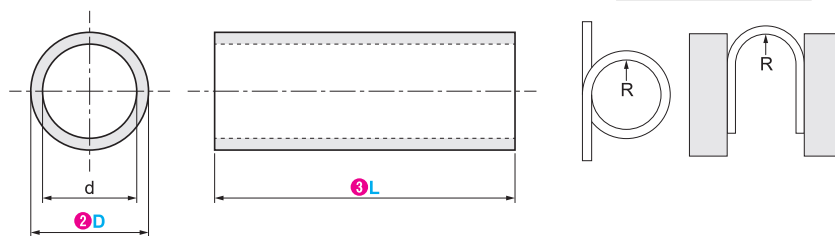
Quantity	1~3	4~5	6~
Discount	Unit Price	15%	30%



Shipping days may differ by Quantity.
Quantity of volume discount above is for representative Part No. It may differ by the Part.

Material	Surface Treatment
PU	-

Min. Bending Radius R



16

Fittings / Tubes

Plastic Fittings

P.1087

Brass Fittings / Plugs

P.1116

Stainless Steel Fittings / Plugs

P.1133

Speed Controllers / Hand Valves / Tubes

P.1150

Stainless Steel Screw-in Fittings / Brass Hose Fittings

P.1161

Part Number	①Type	②O.D. D	③Length L (m)	④Color	I.D. d	O.D. Tolerance	Min. Bending Radius R (mm)	Burst Pressure (MPa)	Normal Pressure (MPa)	Weight (kg/roll)
MET	4	805	200	B (Black) C (Transparent) BL (Blue) OR (Orange)	2.5	±0.1	10	3	0.8	1.95
					4		15			3.6
					5.5		20			3.3
	10	805	100	B (Black) C (Transparent) BL (Blue) OR (Orange)	5	±0.15	30	2.6	0.8	3.8
					6.5		27			5.6
					8		35			7.6
					12		50			5.5

Ordering Example

Please order after selecting part number and parameters according to the selection steps ① to ④.

Part Number (①Type · ②O.D. D) - ③Length M - ④Color
MET6 - 200 - B

How to search on website



By Type: Search on MISUMI official website

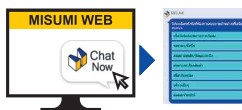
By Keyword: Step 1 Search on MISUMI official website

Step 2 Select MISUMI economy series brand
 MISUMI MISUMI economy

MISUMI contact

Tel: 038-959200 or 1382
 Email: cs@misumi.co.th

MISUMI WEB "Chat"



Install MISUMI APP



New Products

Representative model: E-M12PA6-4-100-B

Save Up to **63%** vs Standard Type

Shipping from **1 day**



1,634 THB

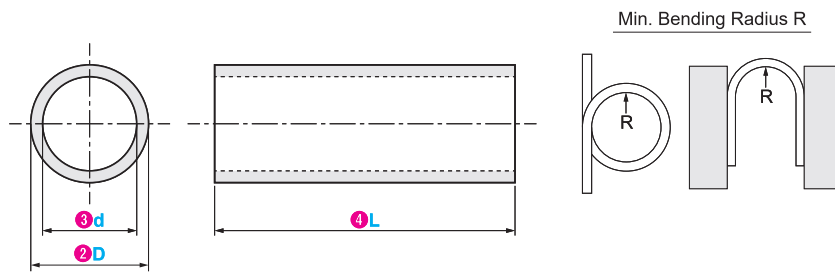
Volume Discount

Quantity	1~3	4~5	6~
Discount	Unit Price	15%	30%



Shipping days may differ by Quantity.
Quantity of volume discount above is for representative Part No. It may differ by the Part.

Type	Material	Surface Treatment
E-M6PA	Nylon PA6	-
E-M12PA	Nylon PA12	-



Part Number		3 I.D. d (mm)	4 Length L (m)	5 Color	O.D. Tolerance (mm)	Min. Bending Radius R (mm)	Max. Working Pressure (MPa)	Burst Pressure (MPa)	Tensile Strength (kgf)	Weight (kg/roll)
E-M12PA	4	2.5	100	B (Black)	±0.1	18	3	7.8	12	0.8
	6	4	100		±0.1	35	2.6	7.8	32	1.6
	8	6	100		±0.1	48	2	6	40	2.3
	10	8	50		±0.1	60	1.3	3.9	57	1.5
	12	10	50		±0.15	85	1	3	80	2.6
	16	13	50		±0.15	115	1.2	3.6	110	4.5
E-M6PA	4	2.5	100	W (White)	±0.1	30	3.8	11.4	12	0.8
	6	4	100		±0.1	45	3.3	10	32	1.6
	8	6	100		±0.1	65	2.4	7.2	40	2.3
	10	8	50		±0.1	80	1.9	5.7	57	1.5
	12	10	50		±0.15	110	1.5	4.5	80	2.6
	16	13	50		±0.15	150	1.7	5.1	110	4.5

Ordering Example

Please order after selecting part number and parameters according to the selection steps 1 to 5.

Part Number (1 Type · 2 D) - 3 d - 4 L - 5 Color
E-M12PA6 - 4 - 100 - B

How to search on website



By Type: Search on MISUMI official website
E-M12PA

By Keyword: Step 1 Search on MISUMI official website
air tube

Step 2 Select MISUMI economy series brand
 MISUMI MISUMI economy

MISUMI contact

Tel: 038-959200 or 1382
Email: cs@misumi.co.th

MISUMI WEB "Chat"



Install MISUMI APP



16

Fittings / Tubes

Plastic Fittings

P.1087

Brass Fittings / Plugs

P.1116

Stainless Steel Fittings / Plugs

P.1133

Speed Controllers / Hand Valves / Tubes

P.1150

Stainless Steel Screw-in Fittings / Brass Hose Fittings

P.1161

New Products



Representative model: E-MPTFE6-4-50-W

Save Up to **71%** vs Standard Type

3,956 THB

Shipping from **1 day**

Volume Discount

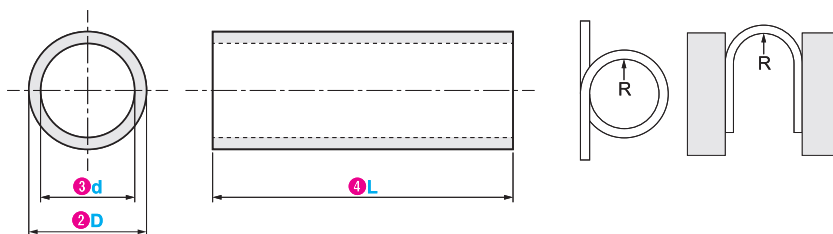
Quantity	1~3	4~5	6~
Discount	Unit Price	15%	30%



Shipping days may differ by Quantity.
Quantity of volume discount above is for representative Part No. It may differ by the Part.

Material	Surface Treatment
Teflon PTFE	-

Min. Bending Radius R



16

Fittings / Tubes

Plastic Fittings

P.1087

Brass Fittings / Plugs

P.1116

Stainless Steel Fittings / Plugs

P.1133

Speed Controllers / Hand Valves / Tubes

P.1150

Stainless Steel Screw-In Fittings / Brass Hose Fittings

P.1161

Part Number		3 I.D. d (mm)	4 Length L (m)	5 Color	O.D. Tolerance (mm)	Min. Bending Radius R (mm)	Max. Working Pressure (MPa)	Weight (kg/roll)
1 Type	2 O.D. D (mm)							
E-MPTFE	4	2.5	50	W (White)	±0.10	14	1.4	0.9
	6	4	50		±0.10	14	1.4	1.9
	8	6	50		±0.15	27	1.0	2.6
	10	8	20		±0.15	50	0.8	1.3
	12	10	20		±0.20	67	0.8	1.6
	16	13	20		±0.25	110	0.8	3.2

Ordering Example

Please order after selecting part number and parameters according to the selection steps 1 to 5.

Part Number (1 Type · 2 D) - 3 d - 4 L - 5 Color
E-MPTFE6 - 4 - 50 - W

How to search on website



By Type

Search on MISUMI official website

E-MPTFE

By Keyword

Step 1 Search on MISUMI official website

air tube

Step 2 Select MISUMI economy series brand

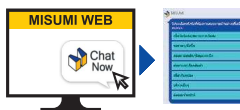
MiSUMI



MISUMI contact

Tel: 038-959200 or 1382
Email: cs@misumi.co.th

MISUMI WEB "Chat"



Install MISUMI APP



New Products



Representative model: E-MPT6-4-100-C

Save Up to **30%** vs Standard Type

Shipping from **1 day**

2,415 THB

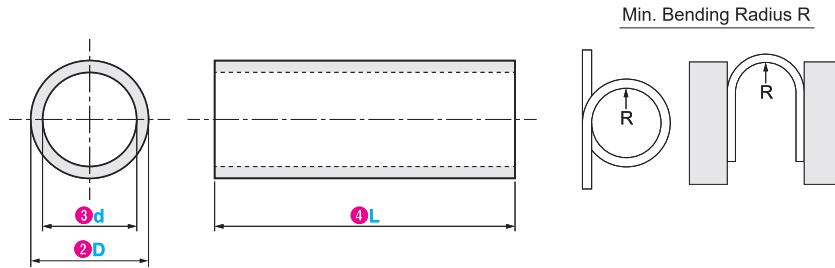
Volume Discount

Quantity	1~3	4~5	6~
Discount	Unit Price	15%	30%



Shipping days may differ by Quantity.
Quantity of volume discount above is for representative Part No. It may differ by the Part.

Material	Surface Treatment
Polyether Grade Polyurethane (PU)	-



Part Number	1 Type	2 O.D. D (mm)	3 I.D. d (mm)	4 Length L (m)	5 Color	O.D. Tolerance (mm)	Min. Bending Radius R (mm)	Burst Pressure (MPa)	Normal Pressure (MPa)	Weight (kg/roll)
E-MPT		4	2.5	100	C (Transparent)	±0.1	10	3	0.8	0.9
		6	4	100		±0.1	15	3		1.9
		8	5	100		±0.1	30	3		3.8
		10	6.5	50	CB (Transparent Blue)	±0.15	27	2.6		2.8
		12	8	20		±0.15	35	2.6		1.6
		16	12	20		±0.15	50	2.6		2.2

Ordering Example

Please order after selecting part number and parameters according to the selection steps 1 to 5.

Part Number (1 Type · 2 D) - 3 d - 4 L - 5 Color
E-MPT6 - 4 - 100 - C

How to search on website



By Type

Search on MISUMI official website

E-MPT

By Keyword

Step 1 Search on MISUMI official website

air tube

Step 2 Select MISUMI economy series brand

MISUMI



MISUMI contact

Tel: 038-959200 or 1382
Email: cs@misumi.co.th

MISUMI WEB "Chat"



Install MISUMI APP



Brass Screw-In Fittings Male / Female Elbows, Equal Dia.

New Products



Representative model: E-SJSXL6A

Save Up to **74%** vs Standard Type

80

THB

Shipping from **1 day**

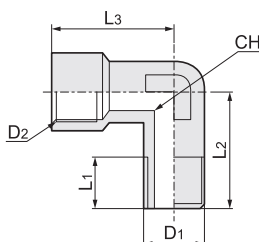
Volume Discount

Quantity	5~29	30~49	50~
Discount	Unit Price	15%	30%



Shipping days may differ by Quantity.
Quantity of volume discount above is for representative Part No. It may differ by the Part.

Material	Brass HPB58-3
Surface Treatment	None
Operating Range	
Operating Temperature Range	-50~150°C
Maximum Operating Pressure	5MPa
Fluid Used	Water, air, oil



Part Number Type	No.	D1 (R)	D2 (G)	L1	L2	L3	CH
		E-SJSXL					
	6A	1/8	1/8	8	18.5	21	10
	8A	1/4	1/4	11	23.5	25.5	13
	10A	3/8	3/8	11.5	26	28	17
	15A	1/2	1/2	14	31	33.5	21

Ordering Example

Part Number (Type·No.)
E-SJSXL6A

16

Fittings / Tubes

Plastic Fittings

P.1087

Brass Fittings / Plugs

P.1116

Stainless Steel Fittings / Plugs

P.1133

Speed Controllers / Hand Valves / Tubes

P.1150

Stainless Steel Screw-In Fittings / Brass Hose Fittings

P.1161

Brass Screw-In Fittings Bushing, Unequal Dia.

New Products



Representative model: E-SJSPB12

Save Up to **68%** vs Standard Type

39

THB

Shipping from **1 day**

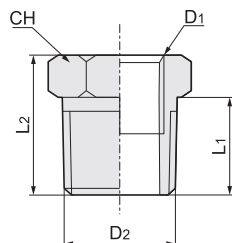
Volume Discount

Quantity	5~29	30~49	50~
Discount	Unit Price	15%	30%



Shipping days may differ by Quantity.
Quantity of volume discount above is for representative Part No. It may differ by the Part.

Material	Brass HPB58-3
Surface Treatment	None
Operating Range	
Operating Temperature Range	-50~150°C
Maximum Operating Pressure	5MPa
Fluid Used	Water, air, oil



Part Number Type	No.	D1 (G)	D2 (R)	L1	L2	CH
		E-SJSPB				
	12	1/8	1/4	11	16	14
	13	1/8	3/8	11.5	16.5	17
	23	1/8	1/2	14	19.5	22
	24	1/4	3/8	11.5	16.5	17
	34	1/4	1/2	14	19.5	22
	36	3/8	1/2	14	19.5	22
	46	1/2	3/4	16.5	23.5	27

Ordering Example

Part Number (Type·No.)
E-SJSPB12

How to search on website



By Type Search on MISUMI official website
E-SJSPB

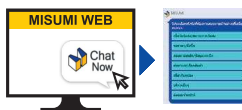
By Keyword Step 1 Search on MISUMI official website
brass fitting

Step 2 Select MISUMI economy series brand
 MISUMI MISUMI economy

MISUMI contact

Tel: 038-959200 or 1382
Email: cs@misumi.co.th

MISUMI WEB "Chat"



Install MISUMI APP



Brass Screw-In Fittings Nipple, Equal Dia.

New Products



Representative model: E-SJSRN6A

Save Up to **85%** vs Standard Type

33

THB

Shipping from **1 day**

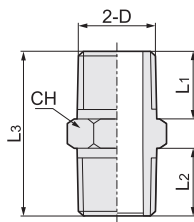
Volume Discount

Quantity	10~29	30~49	50~
Discount	Unit Price	15%	30%



Shipping days may differ by Quantity.
Quantity of volume discount above is for representative Part No. It may differ by the Part.

Material	Brass HPB58-3
Surface Treatment	None
Operating Range	
Operating Temperature Range	-50~150°C
Maximum Operating Pressure	5MPa
Fluid Used	Water, air, oil



Part Number Type	No.	D (R)	L1	L2	L3	CH
	6A	1/8	7.5	7.5	20	12
	8A	1/4	11	11	27	14
	10A	3/8	11.5	11.5	28	17
	15A	1/2	14	14	34	22

Ordering Example

Part Number (Type·No.)
E-SJSRN6A

Brass Screw-In Fittings Nipple, Unequal Dia.

New Products



Representative model: E-SJSRND12

Save Up to **62%** vs Standard Type

44

THB

Shipping from **1 day**

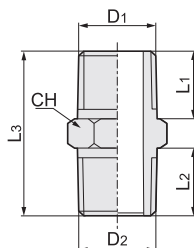
Volume Discount

Quantity	10~29	30~49	50~
Discount	Unit Price	15%	30%



Shipping days may differ by Quantity.
Quantity of volume discount above is for representative Part No. It may differ by the Part.

Material	Brass HPB58-3
Surface Treatment	None
Operating Range	
Operating Temperature Range	-50~150°C
Maximum Operating Pressure	5MPa
Fluid Used	Water, air, oil



Part Number Type	No.	D1 (R)	D2 (R)	L1	L2	L3	CH
	12	1/8	1/4	8	11	23.5	14
	13	1/8	3/8	8	11.5	24	17
	23	1/4	3/8	11	11.5	27.5	17
	24	1/4	1/2	11	14	31	22
	34	3/8	1/2	11.5	14	31.5	22
	36	3/8	3/4	11.5	16.5	35	27
	43	1/2	3/4	14	16.5	37.5	27

Ordering Example

Part Number (Type·No.)
E-SJSRND12

How to search on website



By Type Search on MISUMI official website
E-SJSRND

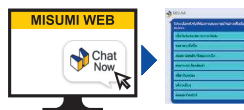
By Keyword Step 1 Search on MISUMI official website
brass fitting

Step 2 Select MISUMI economy series brand
 MISUMI MISUMI economy

MISUMI contact

Tel: 038-959200 or 1382
Email: cs@misumi.co.th

MISUMI WEB "Chat"



Install MISUMI APP



Brass Screw-In Fittings Male Threaded Elbow, Equal Dia.

New Products



Representative model: E-SJSML6A

Save Up to **58%** vs Standard Type

64 THB

Shipping from **1 day**

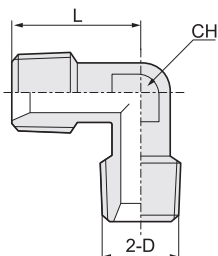
Volume Discount

Quantity	5~29	30~49	50~
Discount	Unit Price	15%	30%



Shipping days may differ by Quantity.
Quantity of volume discount above is for representative Part No. It may differ by the Part.

Material	Brass HPB58-3
Surface Treatment	None
Operating Range	
Operating Temperature Range	-50~150°C
Maximum Operating Pressure	5MPa
Fluid Used	Water, air, oil



Part Number Type	No.	D (R)	L	CH
	6A	1/8	18.5	10
	8A	1/4	23.5	13
	10A	3/8	26	17
	15A	1/2	31	21

Ordering Example

Part Number (Type·No.)
E-SJSML6A

16

Fittings / Tubes

Plastic Fittings

P.1087

Brass Fittings / Plugs

P.1116

Stainless Steel Fittings / Plugs

P.1133

Speed Controllers / Hand Valves / Tubes

P.1150

Stainless Steel Screw-In Fittings / Brass Hose Fittings

P.1161

Brass Screw-In Fittings Reducer, Unequal Dia.

New Products



Representative model: E-SJSXSD12

Save Up to **63%** vs Standard Type

64 THB

Shipping from **1 day**

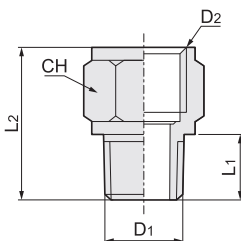
Volume Discount

Quantity	5~29	30~49	50~
Discount	Unit Price	15%	30%



Shipping days may differ by Quantity.
Quantity of volume discount above is for representative Part No. It may differ by the Part.

Material	Brass HPB58-3
Surface Treatment	None
Operating Range	
Operating Temperature Range	-50~150°C
Maximum Operating Pressure	5MPa
Fluid Used	Water, air, oil



Part Number Type	No.	D1 (R)	D2 (G)	L1	L2	CH
	12	1/8	1/4	8	18	14
	21	1/4	1/8	11	21.5	17
	23	1/4	3/8	11.5	21.5	17
	32	3/8	1/4	11	25.5	22
	34	3/8	1/2	20.5	26	29
	43	1/2	3/8	16.1	29.5	29.5

Ordering Example

Part Number (Type·No.)
E-SJSXSD12

How to search on website



By Type Search on MISUMI official website
E-SJSXSD

By Keyword Step 1 Search on MISUMI official website
brass fitting

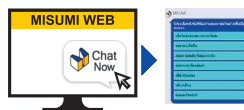
Step 2 Select MISUMI economy series brand

MISUMI MISUMI economy

MISUMI contact

Tel: 038-959200 or 1382
Email: cs@misumi.co.th

MISUMI WEB "Chat"



Install MISUMI APP



Brass Screw-In Fittings Tees, Equal Dia.

New Products



Representative model: E-SJSFT6A

Save Up to **52%** vs Standard Type

98

THB

Shipping from **1 day**

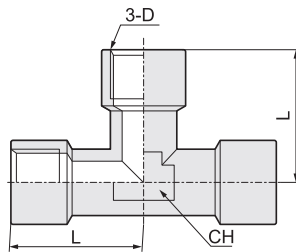
Volume Discount

Quantity	5~29	30~49	50~
Discount	Unit Price	15%	30%



Shipping days may differ by Quantity.
Quantity of volume discount above is for representative Part No. It may differ by the Part.

Material	Brass HPB58-3
Surface Treatment	None
Operating Range	
Operating Temperature Range	-50~150°C
Maximum Operating Pressure	5MPa
Fluid Used	Water, air, oil



Part Number Type	No.	D (G)	L	CH
	6A	1/8	21	10
	8A	1/4	25.5	13
	10A	3/8	28	17
	15A	1/2	33.5	21

Ordering Example

Part Number (Type·No.)
E-SJSFT6A

Brass Screw-In Fittings Nipple T, Equal Dia.

New Products



Representative model: E-SJSMT6A

Save Up to **61%** vs Standard Type

88

THB

Shipping from **1 day**

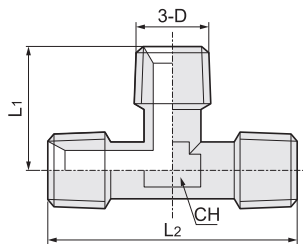
Volume Discount

Quantity	5~29	30~49	50~
Discount	Unit Price	15%	30%



Shipping days may differ by Quantity.
Quantity of volume discount above is for representative Part No. It may differ by the Part.

Material	Brass HPB58-3
Surface Treatment	None
Operating Range	
Operating Temperature Range	-50~150°C
Maximum Operating Pressure	5MPa
Fluid Used	Water, air, oil



Part Number Type	No.	D (R)	L1	L2	CH
	6A	1/8	18.5	37	10
	8A	1/4	23.5	47	13
	10A	3/8	26	52	17
	15A	1/2	31	62	21

Ordering Example

Part Number (Type·No.)
E-SJSMT6A

How to search on website



By Type Search on MISUMI official website
E-SJSMT

By Keyword Step 1 Search on MISUMI official website
brass fitting

Step 2 Select MISUMI economy series brand

MISUMI MISUMI economy

MISUMI contact

Tel: 038-959200 or 1382
Email: cs@misumi.co.th

MISUMI WEB "Chat"



Install MISUMI APP



New Products



Representative model: E-SJSXT6A

Save Up to **57%** vs Standard Type

106

THB

Shipping from **1 day**

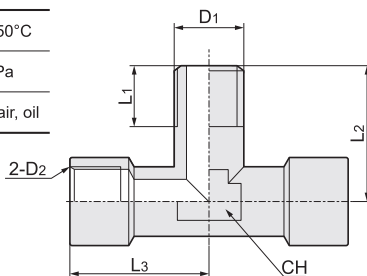
Volume Discount

Quantity	5~29	30~49	50~
Discount	Unit Price	15%	30%



Shipping days may differ by Quantity.
Quantity of volume discount above is for representative Part No. It may differ by the Part.

Material	Brass HPB58-3
Surface Treatment	None
Operating Range	
Operating Temperature Range	-50~150°C
Maximum Operating Pressure	5MPa
Fluid Used	Water, air, oil



Part Number Type	No.	D1 (R)	D2 (G)	L1	L2	L3	CH
		E-SJSXT					
	6A	1/8	1/8	8	18.5	21	10
	8A	1/4	1/4	11	23.5	25.5	13
	10A	3/8	3/8	11.5	26	28	17
	15A	1/2	1/2	14	31	33.5	21

Ordering Example

Part Number (Type·No.)
E-SJSXT6A

16

Fittings / Tubes

Plastic Fittings

P.1087

Brass Fittings / Plugs

P.1116

Stainless Steel Fittings / Plugs

P.1133

Speed Controllers / Hand Valves / Tubes

P.1150

Stainless Steel Screw-In Fittings / Brass Hose Fittings

P.1161

New Products



Representative model: E-SJSXS6A

Save Up to **71%** vs Standard Type

56

THB

Shipping from **1 day**

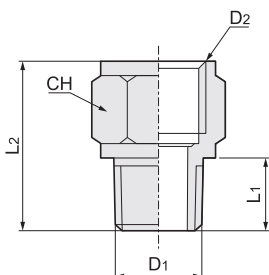
Volume Discount

Quantity	5~29	30~49	50~
Discount	Unit Price	15%	30%



Shipping days may differ by Quantity.
Quantity of volume discount above is for representative Part No. It may differ by the Part.

Material	Brass HPB58-3
Surface Treatment	None
Operating Range	
Operating Temperature Range	-50~150°C
Maximum Operating Pressure	5MPa
Fluid Used	Water, air, oil



Part Number Type	No.	D1 (R)	D2 (G)	L1	L2	CH
		E-SJSXS				
	6A	1/8	1/8	8	18	14
	8A	1/4	1/4	11	24.5	17
	10A	3/8	3/8	11.5	26	22
	15A	1/2	1/2	14	32	26

Ordering Example

Part Number (Type·No.)
E-SJSXS6A

How to search on website

By Type Search on MISUMI official website
E-SJSXS

By Keyword Step 1 Search on MISUMI official website
brass fitting

Step 2 Select MISUMI economy series brand

MISUMI MISUMI economy

MISUMI contact

Tel: 038-959200 or 1382
Email: cs@misumi.co.th

MISUMI WEB "Chat"



Install MISUMI APP



New Products



Representative model: E-SJSFL6A

Save Up to **56%** vs Standard Type

81

THB

Shipping from **1 day**

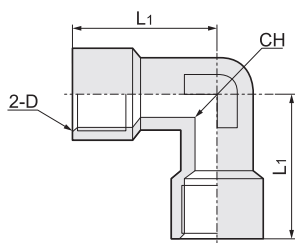
Volume Discount

Quantity	5~29	30~49	50~
Discount	Unit Price	15%	30%



Shipping days may differ by Quantity.
Quantity of volume discount above is for representative Part No. It may differ by the Part.

Material	Brass HPB58-3
Surface Treatment	None
Operating Range	
Operating Temperature Range	-50~150°C
Maximum Operating Pressure	5MPa
Fluid Used	Water, air, oil



Part Number Type	No.	D (G)	L1	CH
	6A	1/8	21	10
	8A	1/4	25.5	13
	10A	3/8	28	17
	15A	1/2	33.5	21

Ordering Example

Part Number (Type·No.)
E-SJSFL6A

New Products



Representative model: E-SJSPG6A

Save Up to **69%** vs Standard Type

36

THB

Shipping from **1 day**

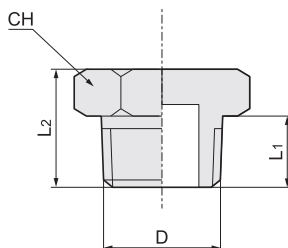
Volume Discount

Quantity	5~29	30~49	50~
Discount	Unit Price	15%	30%



Shipping days may differ by Quantity.
Quantity of volume discount above is for representative Part No. It may differ by the Part.

Material	Brass HPB58-3
Surface Treatment	None
Operating Range	
Operating Temperature Range	-50~150°C
Maximum Operating Pressure	5MPa
Fluid Used	Water, air, oil



Part Number Type	No.	D (R)	L1	L2	CH
	6A	1/8	6	10	14
	8A	1/4	8	13	17
	10A	3/8	9	13.5	19
	15A	1/2	10	15.5	24

Ordering Example

Part Number (Type·No.)
E-SJSPG6A

How to search on website



By Type Search on MISUMI official website
E-SJSPG

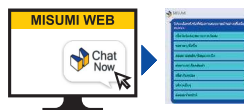
By Keyword Step 1 Search on MISUMI official website
brass fitting

Step 2 Select MISUMI economy series brand
 MISUMI MISUMI economy

MISUMI contact

Tel: 038-959200 or 1382
Email: cs@misumi.co.th

MISUMI WEB "Chat"



Install MISUMI APP



16

Fittings / Tubes

Plastic Fittings

P.1087

Brass Fittings / Plugs

P.1116

Stainless Steel Fittings / Plugs

P.1133

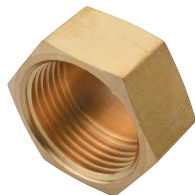
Speed Controllers / Hand Valves / Tubes

P.1150

Stainless Steel Screw-In Fittings / Brass Hose Fittings

P.1161

New Products



Representative model: E-SJSCP6A

Save Up to **81%** vs Standard Type

33

THB

Shipping from **1 day**

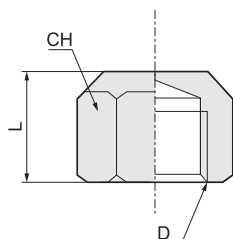
Volume Discount

Quantity	5~29	30~49	50~
Discount	Unit Price	15%	30%



Shipping days may differ by Quantity.
Quantity of volume discount above is for representative Part No. It may differ by the Part.

Material	Brass HPB58-3
Surface Treatment	None
Operating Range	
Operating Temperature Range	-50~150°C
Maximum Operating Pressure	5MPa
Fluid Used	Water, air, oil



Part Number Type	No.	D (G)	L	CH
	6A	1/8	11.5	14
	8A	1/4	15	17
	10A	3/8	15.5	20
	15A	1/2	20	24

Ordering Example

Part Number (Type·No.)
E-SJSCP6A

16

Fittings / Tubes

Plastic Fittings

P.1087

Brass Fittings / Plugs

P.1116

Stainless Steel Fittings / Plugs

P.1133

Speed Controllers / Hand Valves / Tubes

P.1150

Stainless Steel Screw-In Fittings / Brass Hose Fittings

P.1161

New Products



Representative model: E-SJSFSD12

Save Up to **74%** vs Standard Type

50

THB

Shipping from **1 day**

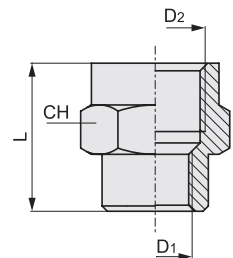
Volume Discount

Quantity	5~29	30~49	50~
Discount	Unit Price	15%	30%



Shipping days may differ by Quantity.
Quantity of volume discount above is for representative Part No. It may differ by the Part.

Material	Brass HPB58-3
Surface Treatment	None
Operating Range	
Operating Temperature Range	-50~150°C
Maximum Operating Pressure	5MPa
Fluid Used	Water, air, oil



Part Number Type	No.	D1 (G)	D2 (G)	L	CH
	12	1/8	1/4	19	17
	13	1/8	3/8	20	22
	23	1/4	3/8	22.5	22
	24	1/4	1/2	26	27
	34	3/8	1/2	26	27
	36	3/8	3/4	32	30
	46	1/2	3/4	32	30

Ordering Example

Part Number (Type·No.)
E-SJSFSD12

How to search on website



By Type Search on MISUMI official website
E-SJSFSD

By Keyword Step 1 Search on MISUMI official website
brass fitting

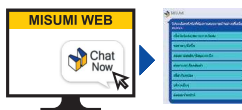
Step 2 Select MISUMI economy series brand

MISUMI MISUMI economy

MISUMI contact

Tel: 038-959200 or 1382
Email: cs@misumi.co.th

MISUMI WEB "Chat"



Install MISUMI APP



New Products



Representative model: E-SJSFS6A

Save Up to **79%** vs Standard Type

45

THB

Shipping from **1 day**

Volume Discount

Quantity	5~29	30~49	50~
Discount	Unit Price	15%	30%

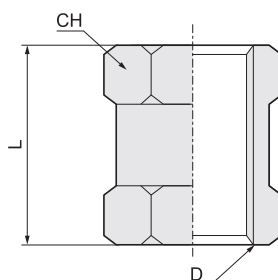


Shipping days may differ by Quantity.
Quantity of volume discount above is for representative Part No. It may differ by the Part.

Material	Brass HPB58-3
Surface Treatment	None

Operating Range

Operating Temperature Range	-50~150°C
Maximum Operating Pressure	5MPa
Fluid Used	Water, air, oil



Part Number		D (G)	L	CH
Type	No.			
E-SJSFS	6A	1/8	15	14
	8A	1/4	22	17
	10A	3/8	24	22
	15A	1/2	30	27

Ordering Example

Please order after selecting part number and parameters according to the selection steps 1 to 2.

Part Number (1Type · 2No.)
E-SJSFS6A



By Type Search on MISUMI official website
E-SJSFS

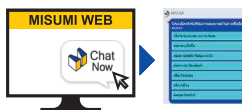
By Keyword Step 1 Search on MISUMI official website
brass fitting

Step 2 Select MISUMI economy series brand
 MISUMI **MISUMI economy**

MISUMI contact

Tel: 038-959200 or 1382
Email: cs@misumi.co.th

MISUMI WEB "Chat"



Install MISUMI APP



16

Fittings / Tubes

Plastic Fittings

P.1087

Brass Fittings / Plugs

P.1116

Stainless Steel Fittings / Plugs

P.1133

Speed Controllers / Hand Valves / Tubes

P.1150

Stainless Steel Screw-In Fittings / Brass Hose Fittings

P.1161

New Products



Representative model: E-SUTPB12-304

Save Up to **85%** vs Standard Type

73

THB

Shipping from **1 day**

Volume Discount

Quantity	5~29	30~49	50~
Discount	Unit Price	15%	30%

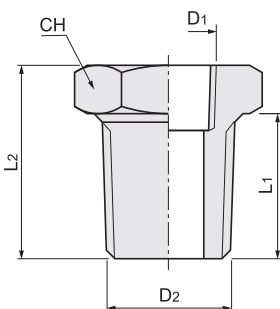


Shipping days may differ by Quantity.
Quantity of volume discount above is for representative Part No. It may differ by the Part.

Type	Material
E-SUTPB□-304	SUS304
E-SUTPB□-316	SUS316

Operating Range

Operating Temperature Range	-50~800°C
Fluid Used	Water, air, oil, chemicals
Maximum Operating Pressure	12MPa



Part Number		Material	D1 (G)	D2 (R)	L1	L2	CH
Type	No.						
E-SUTPB	12	304 316	1/8	1/4	12	17	14
	23		1/4	3/8	13	18	17
	24		1/4	1/2	16	21	22
	26		1/4	3/4	18	24	27
	34		3/8	1/2	16	21	22
	36		3/8	3/4	18	24	27
	38		3/8	1	20	27	35
	46		1/2	3/4	18	24	27
	48		1/2	1	20	27	35
	68		3/4	1	20	27	35

Ordering Example

Please order after selecting part number and parameters according to the selection steps ① to ③.

Part Number (①Type · ②No.) - ③Material
E-SUTPB12 - 304

16

Fittings / Tubes

Plastic Fittings

P.1087

Brass Fittings / Plugs

P.1116

Stainless Steel Fittings / Plugs

P.1133

Speed Controllers / Hand Valves / Tubes

P.1150

Stainless Steel Screw-In Fittings / Brass Hose Fittings

P.1161

New Products



Representative model: E-STUPDJ23-304

Save Up to **68%** vs Standard Type

129

THB

Shipping from **1 day**

Volume Discount

Quantity	1~29	30~49	50~
Discount	Unit Price	15%	30%

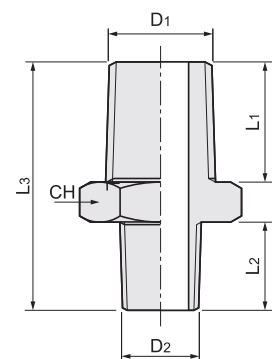


Shipping days may differ by Quantity.
Quantity of volume discount above is for representative Part No. It may differ by the Part.

Type	Material
E-STUPDJ□-304	SUS304
E-STUPDJ□-316	SUS316

Operating Range

Operating Temperature Range	-50~800°C
Fluid Used	Water, steam, oil, chemicals
Maximum Operating Pressure	12MPa



Part Number		Material	D1 (R)	D2 (R)	L1	L2	L3	CH
Type	No.							
E-STUPDJ	12	304 316	1/4	1/8	12	10	30	14
	23		3/8	1/4	13	12	33	19
	24		1/2	1/4	16	12	37	22
	34		1/2	3/8	16	13	38	22
	36		3/4	3/8	18	13	41	27
	46		3/4	1/2	18	16	44	27
	48		1	1/2	22	16	49	35
	68		1	3/4	22	18	51	35

Ordering Example

Please order after selecting part number and parameters according to the selection steps ① to ③.

Part Number (①Type · ②No.) - ③Material
E-STUPDJ23 - 304

How to search on website



By Type Search on MISUMI official website
E-STUPDJ

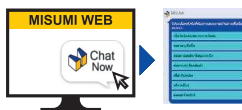
By Keyword Step 1 Search on MISUMI official website
sus fitting

Step 2 Select MISUMI economy series brand
 MISUMI MISUMI economy

MISUMI contact

Tel: 038-959200 or 1382
Email: cs@misumi.co.th

MISUMI WEB "Chat"



Install MISUMI APP



Stainless Steel Screw-In Fittings Elbow, Equal Dia.

New Products



Representative model: E-SUPESH6A-304

Save Up to **75%** vs Standard Type

Shipping from **1 day**

121 THB

Volume Discount

Quantity	5~29	30~49	50~
Discount	Unit Price	15%	30%

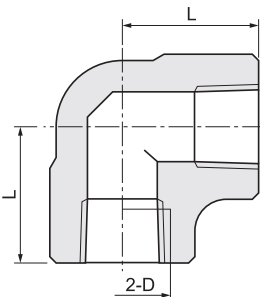


Shipping days may differ by Quantity.
Quantity of volume discount above is for representative Part No. It may differ by the Part.

Type	Material
E-SUPESH□A-304	SUS304
E-SUPESH□A-316	SUS316

Operating Range

Operating Temperature Range	-50~800°C
Fluid Used	Water, steam, oil, chemicals
Maximum Operating Pressure	12MPa



Part Number		Material	D (G)	L
Type	No.			
E-SUPESH	6A	304 316	1/8	19
	8A		1/4	23
	10A		3/8	25.5
	15A		1/2	32
	20A		3/4	34
	25A		1	39
	32A		1 1/4	47
	40A		1 1/2	56
	50A		2	63

Ordering Example

Please order after selecting part number and parameters according to the selection steps ① to ③.
Part Number (①Type · ②No.) - ③Material
E-SUPESH6A - 304

Stainless Steel Screw-In Fittings Tees, Equal Dia.

New Products



Representative model: E-SUTPTH8A-304

Save Up to **46%** vs Standard Type

Shipping from **1 day**

263 THB

Volume Discount

Quantity	5~9	10~14	15~
Discount	Unit Price	15%	30%

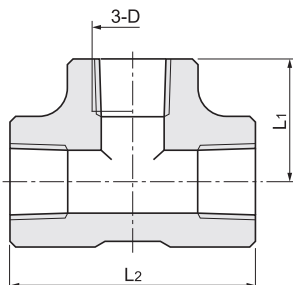


Shipping days may differ by Quantity.
Quantity of volume discount above is for representative Part No. It may differ by the Part.

Type	Material
E-SUTPTH□A-304	SUS304
E-SUTPTH□A-316	SUS316

Operating Range

Operating Temperature Range	-50~800°C
Fluid Used	Water, steam, oil, chemicals
Maximum Operating Pressure	12MPa



Part Number		Material	D (G)	L1	L2
Type	No.				
E-SUTPTH	8A	304 316	1/4	21.6	43.2
	10A		3/8	25.5	51
	15A		1/2	28.9	57.8
	20A		3/4	33.1	66.2
	25A		1	38.2	76.4
	32A		1 1/4	45	90
	40A		1 1/2	50.8	101.6
	50A		2	60.1	120.2

Ordering Example

Please order after selecting part number and parameters according to the selection steps ① to ③.
Part Number (①Type · ②No.) - ③Material
E-SUTPTH8A - 304

How to search on website



By Type Search on MISUMI official website
E-SUTPTH

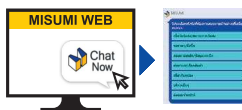
By Keyword Step 1 Search on MISUMI official website Step 2 Select MISUMI economy series brand
sus fitting

MISUMI MISUMI economy

MISUMI contact

Tel: 038-959200 or 1382
Email: cs@misumi.co.th

MISUMI WEB "Chat"



Install MISUMI APP



16

Fittings / Tubes

Plastic Fittings

P.1087

Brass Fittings / Plugs

P.1116

Stainless Steel Fittings / Plugs

P.1133

Speed Controllers / Hand Valves / Tubes

P.1150

Stainless Steel Screw-In Fittings / Brass Hose Fittings

P.1161

New Products



Representative model: E-SUTELH8A-304

Save Up to **77%** vs Standard Type

221

THB

Shipping from **1 day**

Volume Discount

Quantity	5~9	10~14	15~
Discount	Unit Price	15%	30%

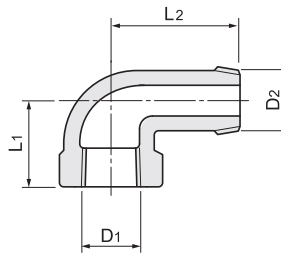


Shipping days may differ by Quantity.
Quantity of volume discount above is for representative Part No. It may differ by the Part.

Type	Material
E-SUTELH□A-304	SUS304
E-SUTELH□A-316	SUS316

Operating Range

Operating Temperature Range	-50~800°C
Fluid Used	Water, steam, oil, chemicals
Maximum Operating Pressure	12MPa



Part Number		Material	D ₁ (G)	D ₂ (R)	L ₁	L ₂
Type	No.					
E-SUTELH	8A	304 316	1/4	1/4	25	23
	10A		3/8	3/8	24.5	25.5
	15A		1/2	1/2	30	32
	20A		3/4	3/4	32	34
	25A		1	1	37	39

Ordering Example

Please order after selecting part number and parameters according to the selection steps ① to ③.
Part Number (①Type · ②No.) - ③Material
E-SUTELH8A - 304

16

Fittings / Tubes

Plastic Fittings

P.1087

Brass Fittings / Plugs

P.1116

Stainless Steel Fittings / Plugs

P.1133

Speed Controllers / Hand Valves / Tubes

P.1150

Stainless Steel Screw-In Fittings / Brass Hose Fittings

P.1161

New Products



Representative model: E-SUTPSH6A-304

Save Up to **64%** vs Standard Type

99

THB

Shipping from **1 day**

Volume Discount

Quantity	5~29	30~49	50~
Discount	Unit Price	15%	30%

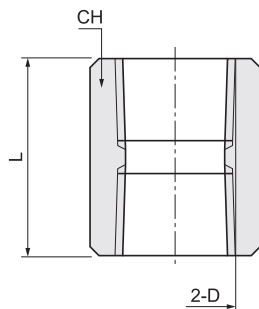


Shipping days may differ by Quantity.
Quantity of volume discount above is for representative Part No. It may differ by the Part.

Type	Material
E-SUTPSH□A-304	SUS304
E-SUTPSH□A-316	SUS316

Operating Range

Operating Temperature Range	-50~800°C
Fluid Used	Water, steam, oil, chemicals
Maximum Operating Pressure	12MPa



Part Number		Material	D (G)	L	CH
Type	No.				
E-SUTPSH	6A	304 316	1/8	20	17
	8A		1/4	25	21
	10A		3/8	26	23
	15A		1/2	33	29
	20A		3/4	36	35
	25A		1	43	42
	32A		1 1/4	48	49
	40A		1 1/2	51	58
	50A		2	60	71

Ordering Example

Please order after selecting part number and parameters according to the selection steps ① to ③.
Part Number (①Type · ②No.) - ③Material
E-SUTPSH6A - 304

How to search on website



By Type Search on MISUMI official website
E-SUTPSH

By Keyword Step 1 Search on MISUMI official website
sus fitting

Step 2 Select MISUMI economy series brand
 MISUMI MISUMI economy

MISUMI contact

Tel: 038-959200 or 1382
Email: cs@misumi.co.th

MISUMI WEB "Chat"



Install MISUMI APP



Stainless Steel Screw-In Fittings 40 Degree Elbow, Equal Dia.

New Products



Representative model: E-SUTHEH8A-304

Save Up to **60%** vs Standard Type

178 THB

Shipping from **1 day**

Volume Discount

Quantity	5~9	10~14	15~
Discount	Unit Price	15%	30%

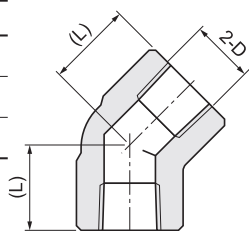


Shipping days may differ by Quantity.
Quantity of volume discount above is for representative Part No. It may differ by the Part.

Type	Material
E-SUTHEH□A-304	SUS304
E-SUTHEH□A-316	SUS316

Operating Range

Operating Temperature Range	-50~800°C
Fluid Used	Water, steam, oil, chemicals
Maximum Operating Pressure	12MPa



Part Number		Material	D (G)	L
Type	No.			
E-SUTHEH	8A	304 316	1/4	18.4
	10A		3/8	18.9
	15A		1/2	24.1
	20A		3/4	26.7
	25A		1	30.3
	32A		1 1/4	35.5
	40A		1 1/2	39.6
	50A		2	46.4

Ordering Example

Please order after selecting part number and parameters according to the selection steps ① to ③

Part Number (①Type · ②No.) - ③Material
E-SUTHEH8A - 304

Stainless Steel Screw-In Fittings Sleeve, Unequal Dia.

New Products



Representative model: E-SUTSSJ12-304

Save Up to **73%** vs Standard Type

135 THB

Shipping from **1 day**

Volume Discount

Quantity	5~29	30~49	50~
Discount	Unit Price	15%	30%

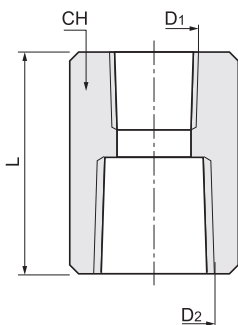


Shipping days may differ by Quantity.
Quantity of volume discount above is for representative Part No. It may differ by the Part.

Type	Material
E-SUTSSJ□-304	SUS304
E-SUTSSJ□-316	SUS316

Operating Range

Operating Temperature Range	-50~800°C
Fluid Used	Water, steam, oil, chemicals
Maximum Operating Pressure	12MPa



Part Number		Material	D1 (G)	D2 (G)	L	CH
Type	No.					
E-SUTSSJ	12	304 316	1/8	1/4	25	21
	23		1/4	3/8	26	23
	24		1/4	1/2	30	29
	34		3/8	1/2	30	29
	36		3/8	3/4	35	35
	46		1/2	3/4	35	35
	48		1/2	1	42	42
	68		3/4	1	42	42

Ordering Example

Please order after selecting part number and parameters according to the selection steps ① to ③

Part Number (①Type · ②No.) - ③Material
E-SUTSSJ12 - 304

How to search on website



By Type Search on MISUMI official website
E-SUTSSJ

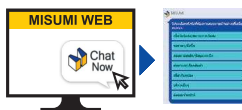
By Keyword Step 1 Search on MISUMI official website
sus fitting

Step 2 Select MISUMI economy series brand
MiSUMI MISUMI economy

MISUMI contact

Tel: 038-959200 or 1382
Email: cs@misumi.co.th

MISUMI WEB "Chat"



Install MISUMI APP



16

Fittings / Tubes

Plastic Fittings

P.1087

Brass Fittings / Plugs

P.1116

Stainless Steel Fittings / Plugs

P.1133

Speed Controllers / Hand Valves / Tubes

P.1150

Stainless Steel Screw-In Fittings / Brass Hose Fittings

P.1161

Stainless Steel Screw-In Fittings Tees, Unequal Dia.

New Products



Representative model: E-SGPTDJ24-304

Save Up to **30%** vs Standard Type

194 THB

Shipping from **1 day**

Volume Discount

Quantity	5	6~9	10~
Discount	Unit Price	15%	30%

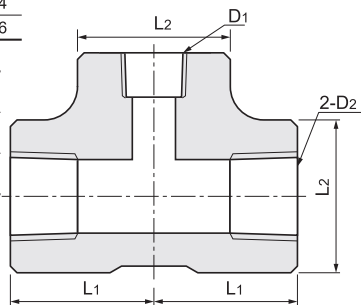


Shipping days may differ by Quantity.
Quantity of volume discount above is for representative Part No. It may differ by the Part.

Type	Material
E-SGPTDJ□-304	SUS304
E-SGPTDJ□-316	SUS316

Operating Range

Operating Temperature Range	-50~800°C
Fluid Used	Water, steam, oil, chemicals
Maximum Operating Pressure	12MPa



Part Number		Material	D ₁ (G)	D ₂ (G)	L ₁	L ₂
Type	No.					
E-SGPTDJ	24	304 316	1/4	1/2	29	27
	34		3/8	1/2	29	27
	36		3/8	3/4	33	34
	46		1/2	3/4	33	34

Ordering Example

Please order after selecting part number and parameters according to the selection steps ① to ③.

Part Number (①Type · ②No.) - ③Material
E-SGPTDJ24 - 304

16

Fittings / Tubes

Plastic Fittings

P.1087

Brass Fittings / Plugs

P.1116

Stainless Steel Fittings / Plugs

P.1133

Speed Controllers / Hand Valves / Tubes

P.1150

Stainless Steel Screw-In Fittings / Brass Hose Fittings
P.1161

Stainless Steel Screw-In Fittings Nipple, Equal Dia.

New Products



Representative model: E-SUTNRJ6A-304

Save Up to **70%** vs Standard Type

94 THB

Shipping from **1 day**

Volume Discount

Quantity	5~29	30~49	50~
Discount	Unit Price	15%	30%

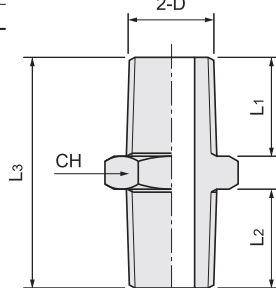


Shipping days may differ by Quantity.
Quantity of volume discount above is for representative Part No. It may differ by the Part.

Type	Material
E-SUTNRJ□A-304	SUS304
E-SUTNRJ□A-316	SUS316

Operating Range

Operating Temperature Range	-50~800°C
Fluid Used	Water, steam, oil, chemicals
Maximum Operating Pressure	12MPa



Part Number		Material	D (R)	L ₁	L ₂	L ₃	CH
Type	No.						
E-SUTNRJ	6A	304 316	1/8	10	10	28	12
	8A		1/4	12	12	34	14
	10A		3/8	13	13	36	19
	15A		1/2	16	16	42	22
	20A		3/4	18	18	47	27
	25A		1	20	20	52	35
	32A		1 1/4	22	22	56	46
	40A		1 1/2	23	23	60	50
	50A		2	25	25	66	63

Ordering Example

Please order after selecting part number and parameters according to the selection steps ① to ③.

Part Number (①Type · ②No.) - ③Material
E-SUTNRJ6A - 304

How to search on website



By Type

Search on MISUMI official website

E-SUTNRJ



By Keyword

Step 1 Search on MISUMI official website

sus fitting



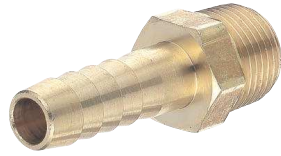
Step 2 Select MISUMI economy series brand

MISUMI



MISUMI economy

New Products



Representative model: E-HOSN61

Save Up to **30%**
vs Standard Type

35

THB

Shipping
from
1 day

Volume Discount

Quantity	5~29	30~49	50~
Discount	Unit Price	15%	30%

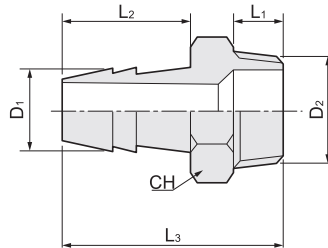


Shipping days may differ by Quantity.
Quantity of volume discount above is for representative Part No. It may differ by the Part.

Material	Brass HPB58-3
Surface Treatment	None

Operating Range

Operating Temperature Range	-50~150°C
Maximum Operating Pressure	3.45MPa
Fluid Used	Water, air, oil



Part Number		Applicable Hose I.D.	D1	D2 (R)	L1	L2	L3	CH
Type	No.							
E-HOSN	61	6	7.5	1/8	7.5	20	32	12
	62			1/4	11		35	14
	63			3/8	11.5		37	17
	64			1/2	14		40	22
	628			8	1/4		11	35
	629	9	1/4		11		35	14
	91	9	10.5	1/8	7.5		32	12
	92			1/4	11		35	14
	93			3/8	11.5		37	17
	94			1/2	14		40	22
	122	12	14	1/4	8	35	14	
	123			3/8	9	37	17	
	124			1/2	10	40	22	
	12412	12.5	1/2	14	40	22		
	153	15	16.5	3/8	9	24	38	19
	154			1/2	10		38	24
	194	19	20.5	1/2	14		44	27
	196			3/4	16		46	27
	19619			3/4	16		46	27
	258	25	27	1	19		32	62
3812	38	40	1 1/2	22	50		87	50
5016	50	50	2	22			87	60

Ordering Example

Part Number (Type · No.)
E-HOSN61

How to search on website



By Type

Search on MISUMI official website

E-HOSN

By Keyword

Step 1 ▶ Search on MISUMI official website

hose fitting

Step 2 ▶ Select MISUMI economy series brand

MiSUMI



MISUMI contact

Tel: 038-959200 or 1382
Email: cs@misumi.co.th

MISUMI WEB "Chat"



Install MISUMI APP



16

Fittings / Tubes

Plastic Fittings

P.1087

Brass Fittings / Plugs

P.1116

Stainless Steel Fittings / Plugs

P.1133

Speed Controllers / Hand Valves / Tubes

P.1150

Stainless Steel Screw-Fittings / Brass Hose Fittings

P.1161

New Products



Representative model: E-HOSJN61

Save Up to **30%**
vs Standard Type

105 THB

Shipping from **1 day**

Volume Discount

Quantity	5~29	30~49	50~
Discount	Unit Price	15%	30%

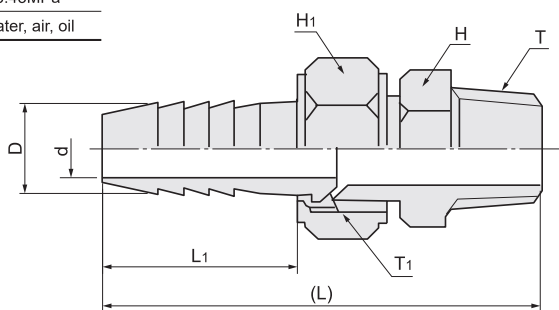


Shipping days may differ by Quantity.
Quantity of volume discount above is for representative Part No. It may differ by the Part.

Material	Brass HPB58-3
Surface Treatment	None

Operating Range

Operating Temperature Range	-50~150°C
Maximum Operating Pressure	3.45MPa
Fluid Used	Water, air, oil



16

Fittings / Tubes

Plastic Fittings

P.1087

Brass Fittings / Plugs

P.1116

Stainless Steel Fittings / Plugs

P.1133

Speed Controllers / Hand Valves / Tubes

P.1150

Stainless Steel Screw-In Fittings / Brass Hose Fittings

P.1161

Part Number	Applicable Hose I.D.	T (R)	D	T1 (G)	d	H	H1	(L)	L1	
										Type
E-HOSJN	6	1/8	7	1/8	4	12	12	43	19	
		1/4		1/4		14	16	59	26	
		3/8		1/4		17	16	60	26	
		1/4	8	1/4	4.5	14	16	59	26	
		1/4	9	1/4	5	14	16	59	26	
		1/4	10.5	3/8	7	17	19	57	27	
	3/8	3/8		17		19	60	27		
	12	12	1/2	14	1/2	10	22	19	63	27
			3/8		1/2		22	24	71	31
			1/2		1/2		22	24	73	31
	15	15	3/4	16	1/2	11.5	28	24	77	31
			1/2		1/2		22	24	71	31
	19	19	1/2	20.5	1/2	15	22	24	73	31
			3/4		3/4		28	30	78	35
		3/4		3/4		28	30	82	35	

Ordering Example

Please order after selecting part number and parameters according to the selection steps 1 to 2.

Part Number (1Type · 2No.)
E-HOSJN61

How to search on website



By Type
Search on MISUMI official website
E-HOSJN

By Keyword
Step 1 ▶ Search on MISUMI official website
Step 2 ▶ Select MISUMI economy series brand
hose fitting

MISUMI



MISUMI contact

Tel: 038-959200 or 1382
Email: cs@misumi.co.th

MISUMI WEB "Chat"



Install MISUMI APP



Stainless Steel Hose Fitting Nipple

New Products



Representative model: E-HOSNS61-304

Save Up to **30%** vs Standard Type

134 THB

Shipping from **1 day**

Volume Discount

Quantity	5~9	10~14	15~
Discount	Unit Price	15%	30%

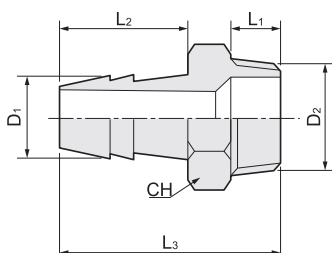


Shipping days may differ by Quantity.
Quantity of volume discount above is for representative Part No. It may differ by the Part.

Type	Material
E-HOSNS□-304	SUS304
E-HOSNS□-316	SUS316

Operating Range

Operating Temperature Range	-50~800°C
Fluid Used	Water, steam, oil, chemicals
Maximum Operating Pressure	3.45MPa



Part Number ① Type	② No.	③ Material	Applicable Hose Nominal I.D.	D ₁	D ₂ (R)	L ₁	L ₂	L ₃	CH
				E-HOSNS 304 316					
61			6	7.5	1/8	7.5	20	32	12
62				7.5	1/4	11	20	35	14
63				7.5	3/8	11.5	20	37	17
64				7.5	1/2	14	20	40	22
628				8	1/4	11	20	35	14
629				9	1/4	11	20	35	14
91			9	10.5	1/8	7.5	20	32	12
92				10.5	1/4	11	20	35	14
93				10.5	3/8	11.5	20	37	17
94				10.5	1/2	14	20	40	22
122			12	14	1/4	8	20	35	14
123				14	3/8	9	20	37	17
124				14	1/2	10	20	40	22
12412				12.5	1/2	14	20	40	22
153			15	16.5	3/8	9	24	38	19
154				16.5	1/2	10	24	38	24
194			19	20.5	1/2	14	24	44	27
196				20.5	3/4	16	24	46	27
19619				19	3/4	16	24	46	27
258			25	27	1	19	32	62	35
3812			38	40	1 1/2	22	50	87	50
5016			50	50	2	22	50	87	60

Ordering Example

Please order after selecting part number and parameters according to the selection steps ① to ③.
Part Number (① Type · ② No.) - ③ Material
E-HOSNS61 - 304

Stainless Steel Hose Fitting Joint

New Products



Representative model: E-HOSJNS93-304

Save Up to **40%** vs Standard Type

610 THB

Shipping from **1 day**

Volume Discount

Quantity	1~3	4~5	6~
Discount	Unit Price	15%	30%

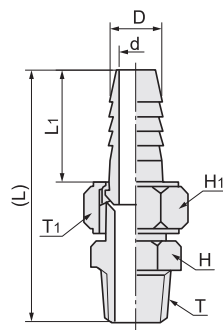


Shipping days may differ by Quantity.
Quantity of volume discount above is for representative Part No. It may differ by the Part.

Type	Material
E-HOSJNS□-304	SUS304
E-HOSJNS□-316	SUS316

Operating Range

Operating Temperature Range	-50~800°C
Fluid Used	Water, steam, oil, chemicals
Maximum Operating Pressure	3.45MPa



Part Number ① Type	② No.	③ Material	Applicable Hose Nominal I.D.	T (R)	D	T ₁ (G)	d	H	H ₁	(L)	L ₁
				E-HOSJNS 304 316							
93			9	3/8	10.5	3/8	7	17	19	60	27
124			12	1/2	14	1/2	10	22	24	73	31
196			19	3/4	20.5	3/4	15	28	30	82	35

Ordering Example

Please order after selecting part number and parameters according to the selection steps ① to ③.
Part Number (① Type · ② No.) - ③ Material
E-HOSJNS93 - 304

How to search on website



By Type Search on MISUMI official website
E-HOSJNS

By Keyword Step 1 Search on MISUMI official website
hose fitting

Step 2 Select MISUMI economy series brand

