

**Suction Cups
MV Series**

**New
Products**



MV Series Standard Type
P.1033~P.1034

**New
Products**



MV Series Deep Type
P.1035~P.1036

**New
Products**



MV Series Sponge Type
P.1037~P.1038

**New
Products**



MV Series Bellows Type
P.1039~P.1040

P.1031

**New
Products**



MV Series Soft Standard Type
P.1041~P.1042

**New
Products**



MV Series Soft Bellows Type
P.1043~P.1044

**New
Products**



MV Series Oval Type
P.1045~P.1046

**New
Products**



MV Series Thin Object Type
P.1047~P.1048

**New
Products**



MV Series Light Type
P.1049~P.1050

**New
Products**



MV Series Small Type
P.1051~P.1052

**Suction Cups
MZ Series**

**+ New
Specs**



MZ Series Standard Type
P.1053~P.1054

**+ New
Specs**



MZ Series Ribbed Type
P.1055~P.1056

**+ New
Specs**



MZ Series Bellows Type
P.1057~P.1058

**New
Products**



MZ Series Small Bore Standard Type
P.1059~P.1060

P.1053

**New
Products**



MZ Series Small Bore With
Wrench Flats Type
P.1061~P.1062

**New
Products**



MZ Series Small Bore
Bellows Type
P.1063~P.1064

**New
Products**



MZ Series Nozzle Type
P.1065

**New
Products**



MZ Series Low Profile
Type
P.1066

**New
Products**



MZ Series Flat Type
P.1067

**New
Products**



MZ Series Compact Bellows Type
P.1068

**Accessories
for Suction
Cups**

**New
Products**



Holders
 P.1069

**New
Products**



Fall Prevention Valve
 P.1070

P.1069

**Vacuum
Generators
MV Series**



MV Series With Vacuum
 Break Function
 P.1071



Vacuum Filters for Generator
 with Vacuum Break Function
 P.1071

**New
Products**



MV Series Union Straight
 P.1072

**New
Products**



MV Series Elbow, Screw
 Mount
 P.1073

P.1071

**New
Products**



MV Series Square Built-in Muffler
 P.1074

**Vacuum
Generators
MZ Series**



MZ Series Union Straight
 P.1075

**New
Products**



MZ Series T-shape
 P.1076

**New
Products**



MZ Series Module
 P.1077

P.1075

**Vacuum
Generators
High Flow**

**New
Products**



Square Multi-Stage
 P.1079



High Flow
 P.1080



Vacuum Filters
 P.1080

P.1079

**Pressure
Sensors**

**New
Products**



Digimatic Pressure Gauges Positive
 Pressure / Vacuum Pressure
 P.1081

P.1081

Economy Series Suction Cups

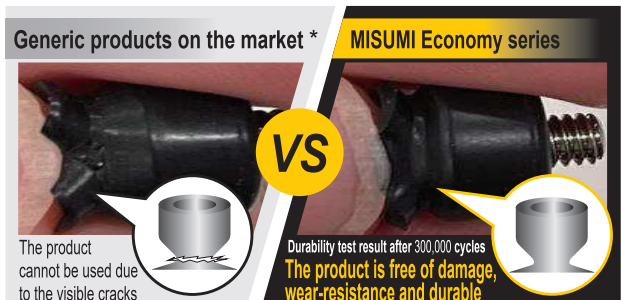
Expanded variety, suitable for a wide range of usage conditions!
Easy design and selection!

vs Standard Type
Saving
up to
66%



**New
Products**

Features 1 Passing durability tests, with quality comparable to products from Japan!



Test conditions: set the target of the customer's actual use for more than 2 years
Set theoretical value of life: 300,000 cycles

Features 2 Two optional suction cups with the same cup diameter and multiple connection methods are available for a variety of working conditions

NEW Space-saving Type MV Series (Total 10 Series)



Specification Expansion Long Stroke Type MZ Series (Total 10 Series)



Features 3 Various types of suction cups, combined with different materials, suitable for a variety of workpieces

Types of Suction Cups

Suction cup shape	Standard	Bellows Type	Small Type	Ribbed Type	Sponge Type	Oval Type	Thin Object Type
Features	No Deflection Commonly used when the workpiece is flat	When there is no spring type installation space When the adsorption surface is not flat	Absorption of micro products such as semiconductors	When the workpiece is thin and flat When supporting and preventing slip	When the adsorption surface is uneven	When the workpiece size is long When the adsorption area is small	When the workpiece is thin
Example of Use	Flat workpiece	Uneven Packaging bag containing instant food, etc	Small Type Micro devices such as semiconductors	Oil stains Flat workpiece	External wall materials of buildings	Long workpieces such as printed circuit boards or semiconductors	Paper
MV Series	New	New	New	-	New	New	New
MZ Series	●	●	New	●	-	-	-

Suction Cup Material

Material	Nitrile Rubber	Silicon Rubber	Conductive Silicone	Fluoro Rubber	Chloroprene Rubber	Fluorosilicone Rubber
MV Series	New	New	New	New	New	New
MZ Series	●	●	●	-	-	-

Please refer to the product page for detailed material characteristics

15

Suction Cups / Vacuum Generators / Filters

Suction Cups
P.1031

Vacuum Generators
P.1071

P.1071

Filters

P.1071

Pressure Sensors
P.1081

P.1081

Suction Cup Related Accessories

Purchasing together to improve efficiency!

vs Standard Type
Saving up to **35%**

Accessories **1** Vacuum Generators Full inspection to ensure vacuum degree

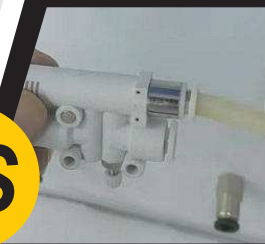
Generic products on the market *



Airtightness Test: NG
No strict control of vacuum degree -75.1kPa

VS

MISUMI Economy series



Airtightness Test: OK
Strict quality control
Full vacuum inspection
Guaranteed -85kPa or more

Accessories **2** Vacuum Filters Strict control of raw materials and processes, good pressure resistance and airtightness, eliminating air leakage

Generic products on the market *



Quick insertion fittings are mostly outsourced, without strict quality control, and prone to air leakage

VS

MISUMI Economy series



Quick insertion fittings are specially molded and 100% inspected, eliminating air leakage

* Generic products on the market are similar products randomly purchased by our company from online or offline markets. For more types of vacuum generators, please refer to the product page!

New Products



Representative model: E-MVPTF4

Save Up to **40%** vs Standard Type

671

THB

Shipping from **1 day**

Volume Discount

Quantity	1~3	4~5	6~
Discount	Unit Price	15%	30%

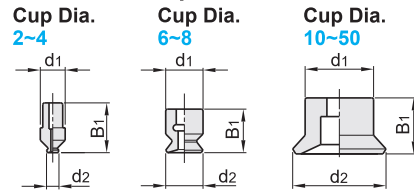


Shipping days may differ by Quantity.
Quantity of volume discount above is for representative Part No. It may differ by the Part.

15 Suction Cups / Vacuum Generators / Filters

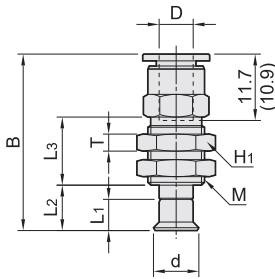
Part	Material	Surface Treatment
Fitting / Screw	Brass	Electroless Nickel Plating
Suction Cup Material	Hardness	Color
Nitrile Rubber	Shore A50~60	Black
Conductive Silicon Rubber	Shore A60	
Fluoro Rubber	Shore A50~60	Gray

Suction Cups

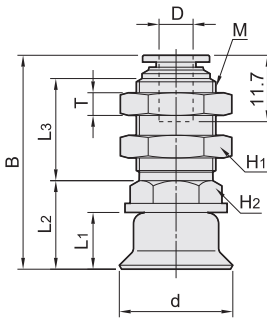


Fixed Type, Up: One-Touch (K)

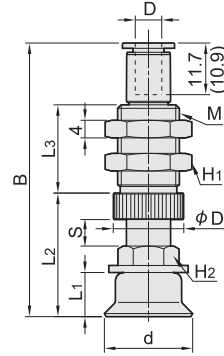
Cup Dia. 2~8



Cup Dia. 10~50

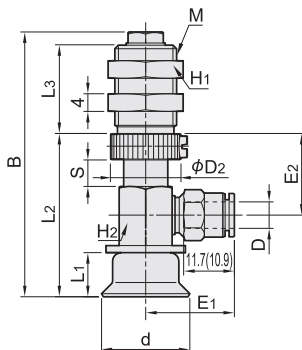


Spring Type, Up: One-Touch (T)

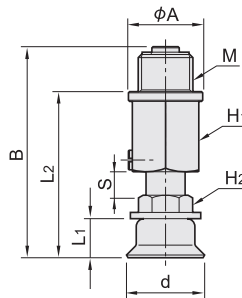


Suction Cups P.1031 Vacuum Generators P.1071

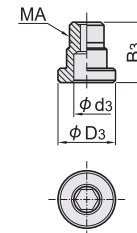
Spring Type, Side: One-Touch (L)



Direct-Mount Spring Type (S)



Screw



Filters P.1071 Pressure Sensors P.1081

Dimensions in () are for φ2~4.

Suction Cup Units

① Type	② Material	③ Mounting Accessories	④ Cup Dia.	Suction Cup Dimension			Screw Dimension				
				B1	d1	d2	B3	D3	d3	MA	
E-VP	NT (Nitrile Rubber) UE (Conductive Silicon Rubber) UF (Fluoro Rubber)	-	2	8	3.2	2	-	-	-	-	
			3	8	3.2	3	-	-	-	-	
			4	8	3.2	4	-	-	-	-	
			6	7	6	6	-	-	-	-	
			8	5.5	6	8	-	-	-	-	
			10	8	10	10	8.5	6	3.5	M4×0.7	
	15	9	11	15							
	-	-	-	20	10	15	20	10.5	10	4.5	M6×1.0
				25	11	17	25				
				30	11	17	30	13	12	4.1	
				40	14	25	40				
				50	15	35	50	16	10	4.1	

Suction Cup With Pads

Part Number				Dimension		
1 Type	2 Fitting Type	3 Suction Cup Material	4 Cup Dia.	D	d	L1
E-MVP	K (Fixed Type, Up: One-Touch) T (Spring Type, Up: One-Touch) L (Spring Type, Side: One-Touch) S (Direct-Mount Spring Type)	N (Nitrile Rubber) E (Conductive Silicon Rubber) F (Fluoro Rubber)	2	4	2	4
			3		3	
			4		4	
			6	6	6	7
			8		8	5
			10		10	8
			15		15	9
			20		20	10
			25		25	11
			30	11	30	11
			40		40	14
			50		50	15

Refer to the left page for the specifications of the suction cup units

4 Cup Dia.	2 Fitting Type (K Shape)							4 Cup Dia.	2 Fitting Type (T Shape)									
	B	L2	L3	Width Across H1	Width Across H2	T	M		B	D2	L2	L3	Width Across H1	Width Across H2	M	S Stroke	Maximum Spring Load (N)	
2								2										
3	29	6	10	8	-	2	M6×0.75	44	17	13	13	14	8	M12×1.0	3	0.9~1.9		
4								4										
6	32	9	12	12			3	M10×1.0	46	19					6	4.0~7.1		
8	30	8			60	26					49	18						
10	35	12					4	M14×1.0	60	27					6	7.0~12.6		
15	36	13	14	12					61	27								
20	37	15	18	17			4	M14×1.0	62	28					6	7.0~12.6		
25	38	16			60	26					63	29	20	17			12	M14×1.0
30	41	19					4	M14×1.0	66	32					6	7.0~12.6		
40	42	20	66	32					67	33								
50								50										

4 Cup Dia.	2 Fitting Type (L Shape)										4 Cup Dia.	2 Fitting Type (S Shape)							
	B	D2	E1	E2	L2	L3	Width Across H1	Width Across H2	M	S Stroke		Maximum Spring Load (N)	A	B	L2	Width Across H1	Width Across H2	M	S Stroke
2											2								
3	40	10	17	12	24	13	10	8	M8×0.75	3	0.9~1.9	14	32	22	12	-	M10×1.0	3	2.3~3.9
4	41		18	13	25							51	39	17					
6	41	16	20	18	37	20	17	12	M14×1.0	6	7.9~15.0	19	54		42	17	12	M14×1.0	6
8	39											52	40	55	43				
10	58	16	20	18	37	20	17	12	M14×1.0	6	7.9~15.0	58	46					6	7.9~15.0
15	59											58	46						
20	60	16	20	18	37	20	17	12	M14×1.0	6	7.9~15.0	59	47					6	7.9~15.0
25	61											59	47						
30	64	16	20	18	37	20	17	12	M14×1.0	6	7.9~15.0	64	41					6	7.9~15.0
40	65											64	41						
50											50								

Ordering Example Please order after selecting part number and parameters according to the selection steps ① to ④.
 Part Number (①Type · ②Fitting Type · ③Suction Cup Material · ④Cup Dia.)
E-MVPTF4

Suction Cup Material Specifications

Suction Cup Material	Nitrile Rubber	Conductive Silicon Rubber	Fluoro Rubber
Limit Temperature for High Temperature Use	110°C	180°C	230°C
Limit Temperature for Low Temperature Use	-30°C	-40°C	-10°C
Weather Resistance	△	○	○
Ozone Resistance	△	○	○
Acid Resistance	△	○	○
Alkali Resistance	○	○	×
Oil Resistance (Gasoline / Light Oil)	○	△	○
Resistance (Benzene / Toluene)	△	△	○
Surface Resistivity	-	10 ⁶ ~10 ⁹ Ω/sq	-

How to search on website

By Type Search on MISUMI official website:

By Keyword Step 1 Search on MISUMI official website: Step 2 Select MISUMI economy series brand: MISUMI MISUMI economy

MISUMI contact
 Tel: 038-959200 or 1382
 Email: cs@misumi.co.th

MISUMI WEB "Chat"

Install MISUMI APP

15
 Vacuum Generators / Filters
 Suction Cups
 P.1031
 Vacuum Generators
 P.1071
 Filters
 P.1071
 Pressure Sensors
 P.1081

New Products



Representative model: E-MVFLF20

Save Up to **30%** vs Standard Type

884

THB

Shipping from **1 day**

Volume Discount

Quantity	1~3	4~5	6~
Discount	Unit Price	15%	30%



Shipping days may differ by Quantity.
Quantity of volume discount above is for representative Part No. It may differ by the Part.

15 Suction Cups / Vacuum Generators / Filters

Suction Cups P.1031

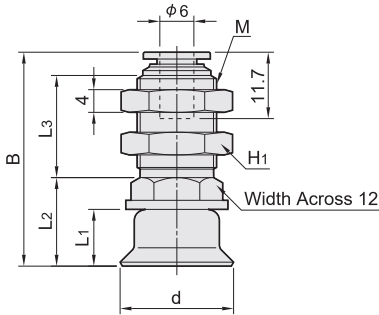
Vacuum Generators P.1071

Filters P.1071

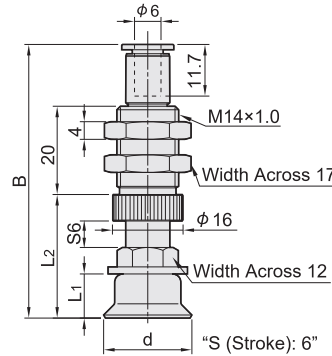
Pressure Sensors P.1081

Part	Material	Surface Treatment
Fitting / Screw	Brass	Electroless Nickel Plating
Suction Cup Material	Hardness	Color
Nitrile Rubber	Shore A50~60	Black
Fluoro Rubber		Gray

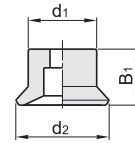
Fixed Type, Up: One-Touch (K)



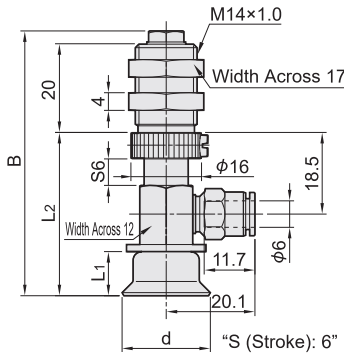
Spring Type, Up: One-Touch (T)



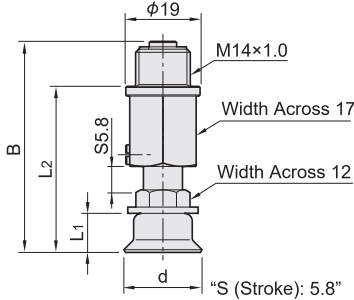
Suction Cups



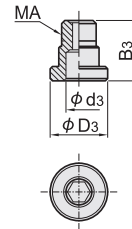
Spring Type, Side: One-Touch (L)



Direct-Mount Spring Type (S)



Screw



Suction Cup Units

Part Number				Suction Cup Dimension			Screw Dimension			
1 Type	2 Material	3 Mounting Accessories	4 Cup Dia.	B1	d1	d2	B3	D3	d3	MA
E-VP	FT (Nitrile Rubber) FF (Fluoro Rubber)	- (Without Mounting Screws) A (With Screws)	15	10	11	15	8.5	6	3.5	M4x0.7
			20	11	15	20				
			25	12	17	25	10.5	10	4.5	
			30	14	17	30	13	12	4.1	
			40	17.5	25	40	16	10		
50	18	30	50							

How to search on website



By Type Search on MISUMI official website
E-MVF

By Keyword Step 1 Search on MISUMI official website
suction mv

Step 2 Select MISUMI economy series brand



Suction Cup With Pads

Part Number				Dimension	
① Type	② Fitting Type	③ Suction Cup Material	④ Cup Dia.	d	L ₁
E-MVF	K (Fixed Type, Up: One-Touch) T (Spring Type, Up: One-Touch) L (Spring Type, Side: One-Touch) S (Direct-Mount Spring Type)	N (Nitrile Rubber) F (Fluoro Rubber)	15	15	10
			20	20	11
			25	25	12
			30	30	14
			40	40	17.5
			50	50	18

Refer to the left page for the specifications of the suction cup units

④ Cup Dia.	② Fitting Type (K Shape)				
	B	L ₂	L ₃	Width Across H ₁	M
15	37.1	10	14	14	M12×1.0
20	38.7	16.6	18	17	M14×1.0
25	39.7	17.6			
30	41.7	19.6			
40	45.2	23.1			
50	45.7	23.6			

④ Cup Dia.	② Fitting Type (T Shape)		
	B	L ₂	Maximum Spring Load (N)
15	62.1	28	7.0~12.6
20	63.5	29	
25	64.5	30	
30	66.5	32	
40	70	35.5	
50	70.1	36	

④ Cup Dia.	② Fitting Type (L Shape)		
	B	L ₂	Maximum Spring Load (N)
15	60.1	37	7.0~12.6
20	61.1	38	
25	62.1	39	
30	64.1	41	
40	67.6	44.5	
50	68.1	45	

④ Cup Dia.	② Fitting Type (S Shape)		
	B	L ₂	Maximum Spring Load (N)
15	53	41.3	7.9~15.0
20	55	43.3	
25	56	44.3	
30	58	46.3	
40	61.5	49.8	
50	62	50.3	

Ordering Example

Please order after selecting part number and parameters according to the selection steps ① to ④.
 Part Number (① Type · ② Fitting Type · ③ Suction Cup Material · ④ Cup Dia.)
E-MVFLF20

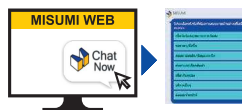
Suction Cup Material Specifications

Suction Cup Material	Nitrile Rubber	Fluoro Rubber
Limit Temperature for High Temperature Use	110°C	230°C
Limit Temperature for Low Temperature Use	-30°C	-10°C
Weather Resistance	△	○
Ozone Resistance	△	◎
Acid Resistance	△	◎
Alkali Resistance	○	×
Oil Resistance	(Gasoline / Light Oil)	◎
	(Benzene / Toluene)	△
Surface Resistivity	-	-

MISUMI contact

Tel: 038-959200 or 1382
 Email: cs@misumi.co.th

MISUMI WEB "Chat"



Install MISUMI APP



15

Vacuum Generators / Filters

Suction Cups
P.1031

Vacuum Generators
P.1071

Filters
P.1071

Pressure Sensors
P.1081

New Products



Representative model: E-MVSTS15

Save Up to **30%** vs Standard Type

962

THB



Volume Discount

Quantity	1~3	4~5	6~
Discount	Unit Price	15%	30%

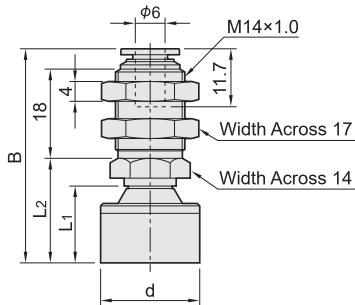


Shipping days may differ by Quantity.
Quantity of volume discount above is for representative Part No. It may differ by the Part.

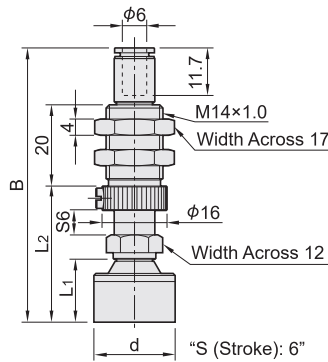
15 Suction Cups / Vacuum Generators / Filters
Suction Cups
P.1031

Part	Material	Surface Treatment
Fitting / Screw	Brass	Electroless Nickel Plating
Suction Cup Material	Hardness	Color
Chloroprene Rubber	-	Black

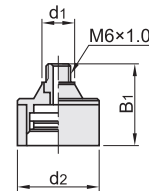
Fixed Type, Up: One-Touch (K)



Spring Type, Up: One-Touch (T)

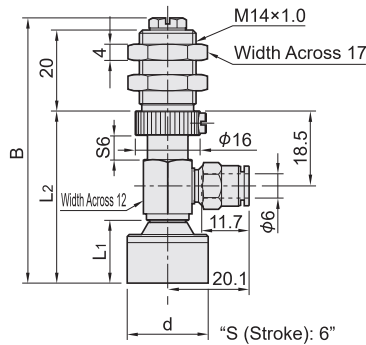


Suction Cups

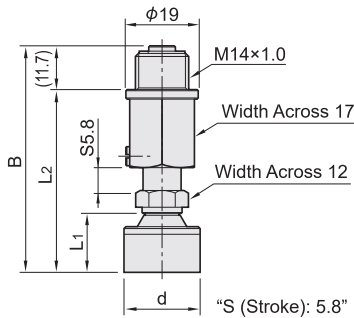


Vacuum Generators
P.1071

Spring Type, Side: One-Touch (L)



Direct-Mount Spring Type (S)



Filters
P.1071

Pressure Sensors
P.1081

Suction Cup Units

Part Number		B1	d1	d2
E-VPSK	10	15	8	10
	15			15
	20			20
	25	20		25
	30			30
	35			35
	50	28		50

How to search on website



By Type: Search on MISUMI official website
E-VPSK

By Keyword: Step 1 Search on MISUMI official website
suction mv

Step 2 Select MISUMI economy series brand



Suction Cup With Pads

Part Number				Dimension	
① Type	② Fitting Type	③ Suction Cup Material	④ Cup Dia.	d	L1
E-MVS	K (Fixed Type, Up: One-Touch) T (Spring Type, Up: One-Touch) L (Spring Type, Side: One-Touch) S (Direct-Mount Spring Type)	S (Chloroprene Rubber)	10	10	9.5
			15	15	
			20	20	15.5
			25	25	
			30	30	
			35	35	28
			50	50	

Refer to the left page for the specifications of the suction cup units

④ Cup Dia.	② Fitting Type (K Shape)	
	B	L2
10	37.2	15.1
15		
20	43.2	21.1
25		
30		
35	55.7	34
50		

④ Cup Dia.	② Fitting Type (T Shape)		
	B	L2	Maximum Spring Load (N)
10	62	27.5	7.0~12.6
15			
20	68	33.5	
25			
30			
35	80.1	46	
50			

④ Cup Dia.	② Fitting Type (L Shape)		
	B	L2	Maximum Spring Load (N)
10	59.6	36.5	7.0~12.6
15			
20	65.6	42.5	
25			
30			
35	78.1	55	
50			

④ Cup Dia.	② Fitting Type (S Shape)		
	B	L2	Maximum Spring Load (N)
10	53.5	41.8	7.9~15.0
15			
20	59.5	47.8	
25			
30			
35	72	60.3	
50			

Ordering Example

Please order after selecting part number and parameters according to the selection steps ① to ④.
 Part Number (① Type · ② Fitting Type · ③ Suction Cup Material · ④ Cup Dia.)
E-MVSTS15

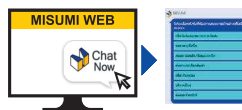
Suction Cup Material Specifications

Suction Cup Material	Chloroprene Rubber	
Limit Temperature for High Temperature Use	80°C	
Limit Temperature for Low Temperature Use	-45°C	
Weather Resistance	○	
Ozone Resistance	○	
Acid Resistance	△	
Alkali Resistance	◎	
Oil Resistance	(Gasoline / Light Oil)	×
	(Benzene / Toluene)	△
Surface Resistivity	-	

MISUMI contact

Tel: 038-959200 or 1382
 Email: cs@misumi.co.th

MISUMI WEB "Chat"



Install MISUMI APP



New Products



Representative model: E-MVBLN10

Save Up to **30%** vs Standard Type

678

THB

Shipping from **1 day**

Volume Discount

Quantity	1~3	4~5	6~
Discount	Unit Price	15%	30%



Shipping days may differ by Quantity.
Quantity of volume discount above is for representative Part No. It may differ by the Part.

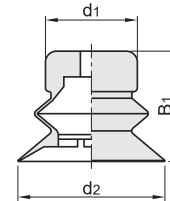
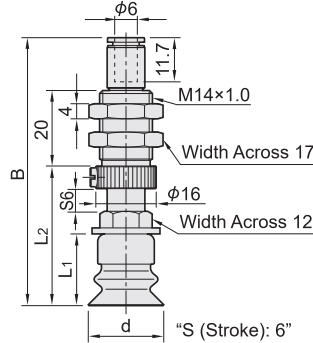
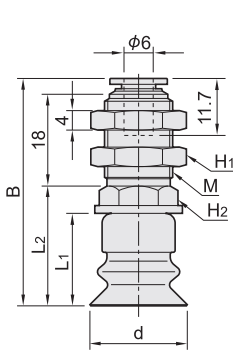
15 Suction Cups / Vacuum Generators / Filters
Suction Cups
P.1031
Vacuum Generators
P.1071
Filters
P.1071
Pressure Sensors
P.1081

Part	Material	Surface Treatment
Fitting / Screw	Brass	Electroless Nickel Plating
Suction Cup Material	Hardness	Color
Nitrile Rubber	Shore A55	Black
Conductive Silicon Rubber	Shore A60	

■ Fixed Type, Up: One-Touch (K)

■ Spring Type, Up: One-Touch (T)

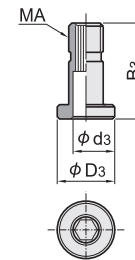
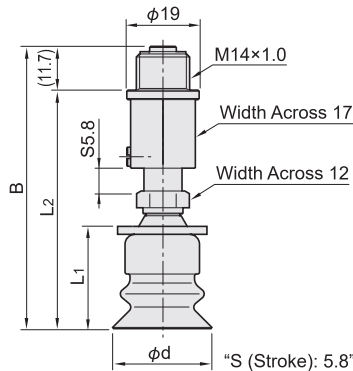
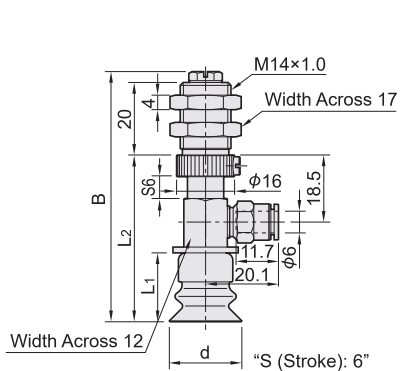
■ Suction Cups



■ Spring Type, Side: One-Touch (L)

■ Direct-Mount Spring Type (S)

■ Screw



■ Suction Cup Units

① Type	② Material	③ Mounting Accessories	④ Cup Dia.	Suction Cup Dimension			Screw Dimension			
				B1	d1	d2	B3	D3	d3	MA
E-VP	BT (Nitrile Rubber)	- (Without Mounting Screws) A (With Screws)	10	16	10	10	8.5	6	3.5	M4×0.7 M6×1.0
			20	19	15	20	10.5	10	4.5	
	30		23	17	30	13	12			
	40		30	25	40	16	10	4.1		
	50		32	30	50					

How to search on website



By Type: Search on MISUMI official website
E-VP

By Keyword: Step 1 Search on MISUMI official website
suction mv

Step 2 Select MISUMI economy series brand



Suction Cup With Pads

Part Number				Dimension	
① Type	② Fitting Type	③ Suction Cup Material	④ Cup Dia.	d	L1
E-MVB	K (Fixed Type, Up: One-Touch) T (Spring Type, Up: One-Touch) L (Spring Type, Side: One-Touch) S (Direct-Mount Spring Type)	N (Nitrile Rubber) E (Conductive Silicon Rubber)	10	10	16
			20	20	19
			30	30	23
			40	40	30
			50	50	32

Refer to the left page for the specifications of the suction cup units

④ Cup Dia.	② Fitting Type (K Shape)				
	B	L2	Width Across H1	Width Across H2	M
10	43.5	20	14	12	M12×1.0
20	46.7	24.6	17	14	M14×1.0
30	50.7	28.6			
40	57.7	35.6			
50	59.7	37.6			

④ Cup Dia.	② Fitting Type (T Shape)		
	B	L2	Maximum Spring Load (N)
10	68.5	34	4.0~7.1
20	71.5	37	7.0~12.6
30	75.5	41	
40	82.5	48	
50	84.5	50	

④ Cup Dia.	② Fitting Type (L Shape)		
	B	L2	Maximum Spring Load (N)
10	66.1	43	4.0~7.1
20	69.1	46	7.0~12.6
30	73.1	50	
40	80.1	57	
50	82.1	59	

④ Cup Dia.	② Fitting Type (S Shape)		
	B	L2	Maximum Spring Load (N)
10	59	47.3	7.9~15.0
20	63	51.3	
30	67	55.3	
40	74	62.3	
50	76	64.3	

Ordering Example Please order after selecting part number and parameters according to the selection steps ① to ④.
 Part Number (① Type · ② Fitting Type · ③ Suction Cup Material · ④ Cup Dia.)
E-MVBLN10

Suction Cup Material Specifications

Suction Cup Material	Nitrile Rubber	Conductive Silicon Rubber
Limit Temperature for High Temperature Use	110°C	180°C
Limit Temperature for Low Temperature Use	-30°C	-40°C
Weather Resistance	△	◎
Ozone Resistance	△	◎
Acid Resistance	△	○
Alkali Resistance	○	◎
Oil Resistance	(Gasoline / Light Oil)	◎
	(Benzene / Toluene)	△
Surface Resistivity	-	10 ⁶ ~10 ⁹ Ω/sq

15

Suction Cups /
Vacuum Generators / Filters

Suction Cups
P.1031

Vacuum
Generators
P.1071

Filters
P.1071

Pressure
Sensors
P.1081

MISUMI contact

Tel: 038-959200 or 1382
 Email: cs@misumi.co.th

MISUMI WEB "Chat"



Install MISUMI APP



New Products

Representative model: E-MVCTN6

Save Up to **30%** vs Standard Type

717

THB

Shipping from **1 day**



Volume Discount

Quantity	1~3	4~5	6~
Discount	Unit Price	15%	30%

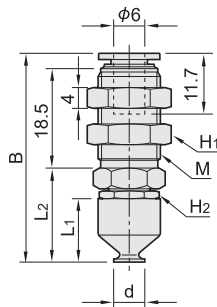


Shipping days may differ by Quantity.
Quantity of volume discount above is for representative Part No. It may differ by the Part.

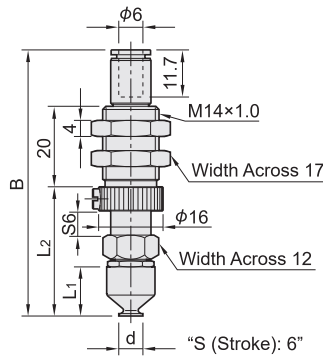
Part	Material	Surface Treatment
Fitting / Screw	Brass	Electroless Nickel Plating

Suction Cup Material	Hardness	Color
Nitrile Rubber	Shore A55	Black
Conductive Silicon Rubber	Shore A60	

Fixed Type, Up: One-Touch (K)



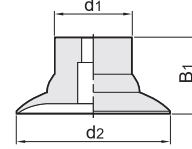
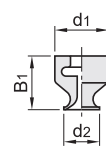
Spring Type, Up: One-Touch (T)



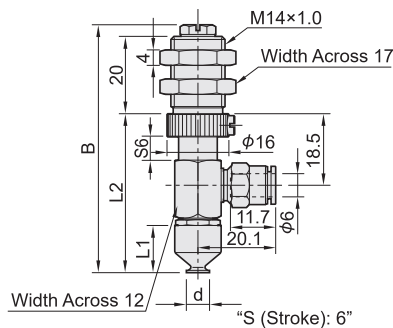
Suction Cups

Cup Dia. 4~15

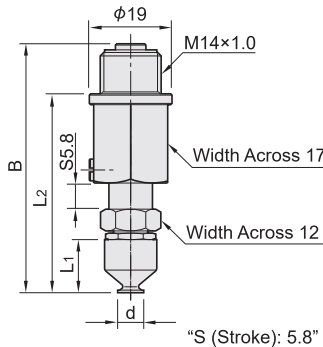
Cup Dia. 20~40



Spring Type, Side: One-Touch (L)



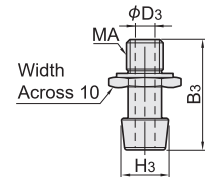
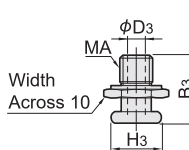
Direct-Mount Spring Type (S)



Screw

Cup Dia. 4~15

Cup Dia. 20~40



Suction Cup Units

1 Type	2 Material	3 Mounting Accessories	4 Cup Dia.	Suction Cup Dimension			Screw Dimension			
				B1	d1	d2	B3	D3	H3	MA
E-VP	CT (Nitrile Rubber) CE (Conductive Silicon Rubber)	- A (With Screws)	4	12.2	12	4	10	2	9	M4x0.7
			6			6				
			8			8				
			10	14	12	10	16.5	3	7.5	M6x1.0
			15			15				
			20	15	15	20	16.5	3	7.5	M6x1.0
			30			30				
40	40									

15 Suction Cups / Vacuum Generators / Filters

Suction Cups P.1031

Vacuum Generators P.1071

Filters P.1071

Pressure Sensors P.1081



By Type Search on MISUMI official website **E-VP**

By Keyword Step 1 Search on MISUMI official website **suction mv**

Step 2 Select MISUMI economy series brand MISUMI MISUMI economy

Suction Cup With Pads

Part Number				Dimension				
① Type	② Fitting Type	③ Suction Cup Material	④ Cup Dia.	d	L1			
E-MVC	K (Fixed Type, Up: One-Touch) T (Spring Type, Up: One-Touch) L (Spring Type, Side: One-Touch) S (Direct-Mount Spring Type)	N (Nitrile Rubber) E (Conductive Silicon Rubber)	4	4	12.2			
			6	6				
			8	8				
						10	10	14
						15	15	
						20	20	15
						30	30	
			40	40				

① Refer to the left page for the specifications of the suction cup units

④ Cup Dia.	② Fitting Type (K Shape)				
	B	L2	Width Across H1	Width Across H2	M
4	41.8	18.3	14	12	M12×1.0
6					
8					
10	42.6	20.1			
15					
20	44.7	22.7	17	14	M14×1.0
30					
40					

④ Cup Dia.	② Fitting Type (T Shape)		
	B	L2	Maximum Spring Load (N)
4	66.8	32.3	4.0~7.1
6			
8			
10	68.6	34.1	
15			
20	69.1	35	7.0~12.6
30			
40			

④ Cup Dia.	② Fitting Type (L Shape)		
	B	L2	Maximum Spring Load (N)
4	64.4	41.3	4.0~7.1
6			
8			
10	66.2	43.1	
15			
20	67.1	44	7.0~12.6
30			
40			

④ Cup Dia.	② Fitting Type (S Shape)		
	B	L2	Maximum Spring Load (N)
4	57.3	45.6	7.9~15.0
6			
8			
10	59.1	47.4	
15			
20	61	49.3	7.9~15.0
30			
40			

Ordering Example

Please order after selecting part number and parameters according to the selection steps ① to ④.
 Part Number (① Type · ② Fitting Type · ③ Suction Cup Material · ④ Cup Dia.)
E-MVCTN6

Suction Cup Material Specifications

Suction Cup Material	Nitrile Rubber	Conductive Silicon Rubber
Limit Temperature for High Temperature Use	110°C	180°C
Limit Temperature for Low Temperature Use	-30°C	-40°C
Weather Resistance	△	○
Ozone Resistance	△	○
Acid Resistance	△	○
Alkali Resistance	○	○
Oil Resistance	(Gasoline / Light Oil)	○
	(Benzene / Toluene)	△
Surface Resistivity	-	10 ⁸ ~10 ⁹ Ω/sq

MISUMI contact

Tel: 038-959200 or 1382
 Email: cs@misumi.co.th

MISUMI WEB "Chat"



Install MISUMI APP



15

Suction Cups /
Vacuum Generators / Filters

Suction Cups
P.1031

Vacuum
Generators
P.1071

Filters
P.1071

Pressure
Sensors
P.1081

New Products



Representative model: E-MVDSN6

Save Up to **30%** vs Standard Type

707

THB

Shipping from **1 day**

Volume Discount

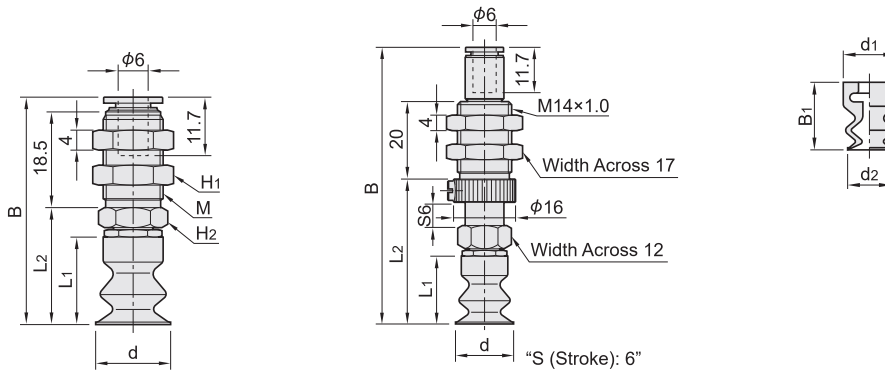
Quantity	1~3	4~5	6~
Discount	Unit Price	15%	30%



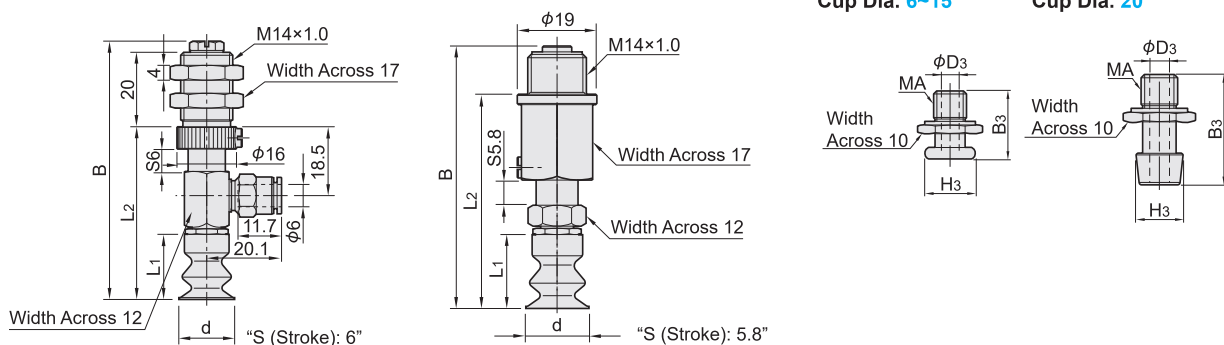
Shipping days may differ by Quantity.
Quantity of volume discount above is for representative Part No. It may differ by the Part.

Part	Material	Surface Treatment
Fitting / Screw	Brass	Electroless Nickel Plating
Suction Cup Material	Hardness	Color
Nitrile Rubber	Shore A55	Black

Fixed Type, Up: One-Touch (K) Spring Type, Up: One-Touch (T) Suction Cups



Spring Type, Side: One-Touch (L) Direct-Mount Spring Type (S) Screw



Suction Cup Units

Part Number				Suction Cup Dimension			Screw Dimension			
1 Type	2 Material	3 Mounting Accessories	4 Cup Dia.	B1	d1	d2	B3	D3	H3	MA
E-VP	DT (Nitrile Rubber)	-	6	15	12	6	10	2	9	M4×0.7
			8			8				
		A	10	10						
		15	17.5	15						
			20	20	15	20	16.5	3	7.5	M6×1.0

How to search on website

By Type: Search on MISUMI official website
E-VP

By Keyword: Step 1 Search on MISUMI official website
suction mv

Step 2 Select MISUMI economy series brand



Suction Cup With Pads

Part Number				Dimension	
① Type	② Fitting Type	③ Suction Cup Material	④ Cup Dia.	d	L1
E-MVD	K (Fixed Type, Up: One-Touch) T (Spring Type, Up: One-Touch) L (Spring Type, Side: One-Touch) S (Direct-Mount Spring Type)	N (Nitrile Rubber)	6	6	15
			8	8	
			10	10	15.5
			15	15	17.5
			20	20	20

Refer to the left page for the specifications of the suction cup units

④ Cup Dia.	② Fitting Type (K Shape)				
	B	L2	Width Across H1	Width Across H2	M
6	44.6	21.1	14	12	M12×1.0
8					
10	45.1	21.6			
15	47.1	23.6	17	14	M14×1.0
20	49.7	27.7			

④ Cup Dia.	② Fitting Type (T Shape)		
	B	L2	Maximum Spring Load (N)
6	69.6	35.1	4.0~7.1
8		35.6	
10	70.1	37.6	
15	72.1		
20	71.7	7.0~12.6	

④ Cup Dia.	② Fitting Type (L Shape)		
	B	L2	Maximum Spring Load (N)
6	67.2	44.1	4.0~7.1
8			
10	67.7	44.6	
15	69.7	46.6	7.0~12.6
20	72.1	49	

④ Cup Dia.	② Fitting Type (S Shape)		
	B	L2	Maximum Spring Load (N)
6	60.1	48.4	7.9~15.0
8			
10	60.6	48.9	
15	62.6	50.9	7.9~15.0
20	66.1	54.4	

Ordering Example Please order after selecting part number and parameters according to the selection steps ① to ④.
 Part Number (① Type · ② Fitting Type · ③ Suction Cup Material · ④ Cup Dia.)
E-MVDSN6

Suction Cup Material Specifications

Suction Cup Material	Nitrile Rubber
Limit Temperature for High Temperature Use	110°C
Limit Temperature for Low Temperature Use	-30°C
Weather Resistance	△
Ozone Resistance	△
Acid Resistance	△
Alkali Resistance	○
Oil Resistance	(Gasoline / Light Oil)
	(Benzene / Toluene)
Surface Resistivity	-

15

Vacuum Generators / Filters

Suction Cups
P.1031

Vacuum Generators
P.1071

Filters
P.1071

Pressure Sensors
P.1081

MISUMI contact

Tel: 038-959200 or 1382
 Email: cs@misumi.co.th

MISUMI WEB "Chat"



Install MISUMI APP



New Products



Representative model: E-MVETN4-10

Save Up to **30%**
vs Standard Type

790

THB

Shipping from **1 day**

Volume Discount

Quantity	1~3	4~5	6~
Discount	Unit Price	15%	30%

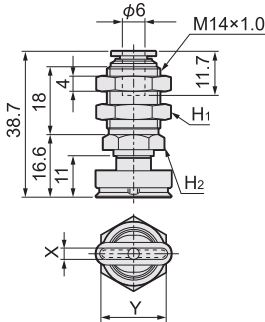


Shipping days may differ by Quantity.
Quantity of volume discount above is for representative Part No. It may differ by the Part.

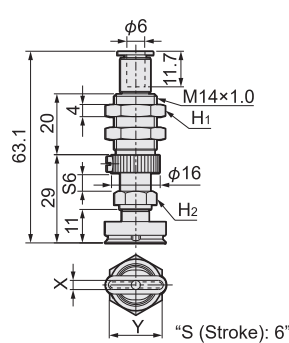
Part	Material	Surface Treatment
Fitting / Screw	Brass	Electroless Nickel Plating

Suction Cup Material	Hardness	Color
Nitrile Rubber	Shore A55	Black
Silicon Rubber		Milky White

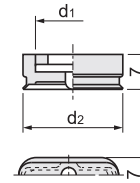
Fixed Type, Up: One-Touch (K)



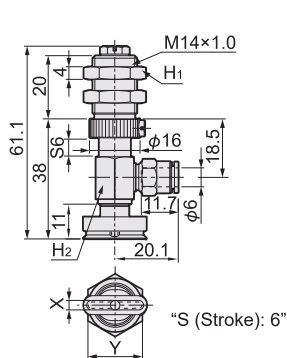
Spring Type, Up: One-Touch (T)



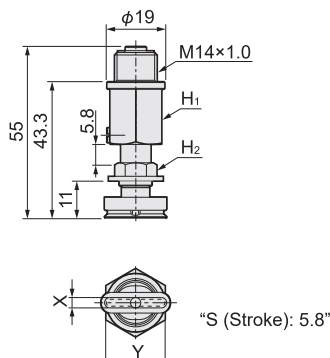
Suction Cups



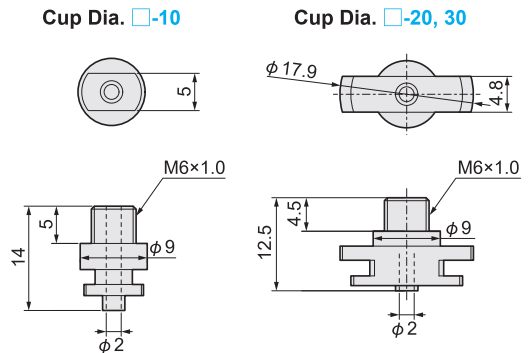
Spring Type, Side: One-Touch (L)



Direct-Mount Spring Type (S)



Screw



Suction Cup Units

Part Number				Suction Cup Dimension	
1 Type	2 Material	3 Mounting Accessories	4 Cup Dia.	d1	d2
E-VP	ET (Nitrile Rubber) ES (Silicon Rubber)	- (Without Mounting Screws)) A (With Screws)	4-10	8	10
			4-20	15	20
			4-30	20	30
			5-10	8	10
			5-20	15	20
			5-30	20	30
			6-10	8	10
			6-20	15	20
			6-30		30
			8-20		20
8-30	30				

15
Suction Cups /
Vacuum Generators / Filters
Suction Cups
P.1031

Vacuum
Generators
P.1071

Filters
P.1071

Pressure
Sensors
P.1081

Suction Cup With Pads

Part Number				Dimension	
① Type	② Fitting Type	③ Suction Cup Material	④ Cup Dia.	X	Y
E-MVE	(Fixed Type, Up: One-Touch) (Spring Type, Up: One-Touch) (Spring Type, Side: One-Touch) (Direct-Mount Spring Type)	N S (Nitrile Rubber) (Silicon Rubber)	4-10	4	10
			4-20		20
			4-30		30
			5-10	5	10
			5-20		20
			5-30		30
			6-10	6	10
			6-20		20
			6-30		30
			8-20	8	20
			8-30		30

Refer to the left page for the specifications of the suction cup units

④ Cup Dia.	② Fitting Type (K Shape)	
	Width Across H ₁	Width Across H ₂
4-10	17	14
4-20		
4-30		
5-10		
5-20		
5-30		
6-10		
6-20		
6-30		
8-20		
8-30		

④ Cup Dia.	② Fitting Type (T Shape)		
	Width Across H ₁	Width Across H ₂	Maximum Spring Load (N)
4-10	17	12	7.0~12.6
4-20			
4-30			
5-10			
5-20			
5-30			
6-10			
6-20			
6-30			
8-20			
8-30			

④ Cup Dia.	② Fitting Type (L Shape)		
	Width Across H ₁	Width Across H ₂	Maximum Spring Load (N)
4-10	17	12	7.0~12.6
4-20			
4-30			
5-10			
5-20			
5-30			
6-10			
6-20			
6-30			
8-20			
8-30			

④ Cup Dia.	② Fitting Type (S Shape)		
	Width Across H ₁	Width Across H ₂	Maximum Spring Load (N)
4-10	17	12	7.0~12.6
4-20			
4-30			
5-10			
5-20			
5-30			
6-10			
6-20			
6-30			
8-20			
8-30			

Ordering Example Please order after selecting part number and parameters according to the selection steps ① to ④.
 Part Number (① Type · ② Fitting Type · ③ Suction Cup Material · ④ Cup Dia.)
E-MVETN4-10

Suction Cup Material Specifications

Suction Cup Material	Nitrile Rubber	Silicon Rubber
Limit Temperature for High Temperature Use	110°C	180°C
Limit Temperature for Low Temperature Use	-30°C	-50°C
Weather Resistance	△	○
Ozone Resistance	△	◎
Acid Resistance	△	○
Alkali Resistance	○	◎
Oil Resistance	(Gasoline / Light Oil)	◎
	(Benzene / Toluene)	△
Surface Resistivity	-	-

15

Vacuum Generators / Filters

Suction Cups
P.1031

Vacuum Generators
P.1071

Filters
P.1071

Pressure Sensors
P.1081



By Type Search on MISUMI official website

By Keyword Step 1 Search on MISUMI official website

Step 2 Select MISUMI economy series brand
 MISUMI MISUMI economy

New Products



Representative model: E-MVPSS15

Save Up to **30%** vs Standard Type

542

THB

Shipping from **1 day**

Volume Discount

Quantity	1~3	4~5	6~
Discount	Unit Price	15%	30%



Shipping days may differ by Quantity.
Quantity of volume discount above is for representative Part No. It may differ by the Part.

15 Suction Cups / Vacuum Generators / Filters

Suction Cups P.1031

Vacuum Generators P.1071

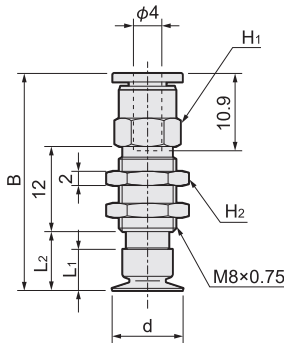
Filters P.1071

Pressure Sensors P.1081

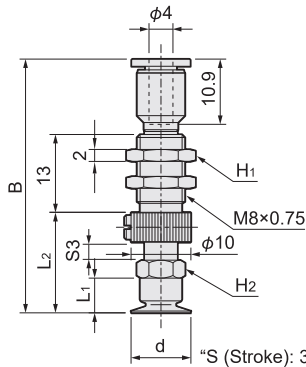
Part	Material	Surface Treatment
Fitting / Screw	Brass	Electroless Nickel Plating

Suction Cup Material	Hardness	Color
Nitrile Rubber	Shore A55	Black
Fluorosilicone Rubber		Light Brown

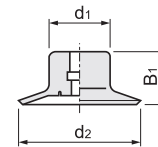
Fixed Type, Up: One-Touch (K)



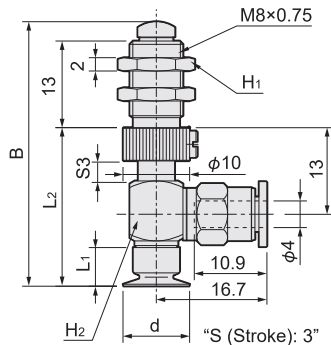
Spring Type, Up: One-Touch (T)



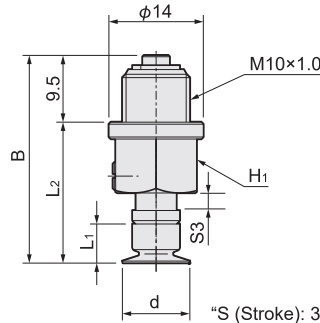
Suction Cups



Spring Type, Side: One-Touch (L)



Direct-Mount Spring Type (S)



Suction Cup Units

Part Number				Suction Cup Dimension		
1 Type	2 Material	3 Mounting Accessories	4 Cup Dia.	B1	d1	d2
E-VP	TS (Nitrile Rubber) TSS (Silicon Rubber)	-	8	5.5	7	8
			10	5.8		10
			15	6.5	7.5	15
			20	7.3		20

How to search on website



By Type Search on MISUMI official website **E-VP**

By Keyword Step 1 Search on MISUMI official website **suction mv**

Step 2 Select MISUMI economy series brand



Suction Cup With Pads

Part Number				Dimension	
①Type	②Fitting Type	③Suction Cup Material	④Cup Dia.	d	L ₁
E-MVP	K (Fixed Type, Up: One-Touch) T (Spring Type, Up: One-Touch) L (Spring Type, Side: One-Touch) S (Direct-Mount Spring Type)	S (Nitrile Rubber) SS (Fluorosilicone Rubber)	8	8	5.5
			10	10	5.8
			15	15	6.5
			20	20	7.3

Refer to the left page for the specifications of the suction cup units

④Cup Dia.	②Fitting Type (K Shape)			
	B	L ₂	Width Across H ₁	Width Across H ₂
8	30.3	8	8	10
10	30.6	8.3		
15	31.3	9		
20	32.1	9.8		

④Cup Dia.	②Fitting Type (T Shape)				
	B	L ₂	Width Across H ₁	Width Across H ₂	Maximum Spring Load (N)
8	43.2	16.5	10	7	1.0~1.9
10	43.5	16.8			
15		17.5			
20	45	18.3			

④Cup Dia.	②Fitting Type (L Shape)				
	B	L ₂	Width Across H ₁	Width Across H ₂	Maximum Spring Load (N)
8	39.5	23.5	10	8	1.0~1.9
10	39.8	23.8			
15	40.5	24.5			
20	41.3	25.3			

④Cup Dia.	②Fitting Type (S Shape)			
	B	L ₂	Width Across H ₁	Maximum Spring Load (N)
8	30.5	21	12	2.3~3.9
10	30.8	21.3		
15	31.5	22		
20	32.3	22.8		

Ordering Example Please order after selecting part number and parameters according to the selection steps ① to ④.
 Part Number (①Type · ②Fitting Type · ③Suction Cup Material · ④Cup Dia.)
E-MVPSS15

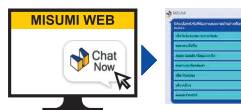
Suction Cup Material Specifications

Suction Cup Material	Nitrile Rubber	Fluorosilicone Rubber
Limit Temperature for High Temperature Use	110°C	180°C
Limit Temperature for Low Temperature Use	-30°C	-50°C
Weather Resistance	△	○
Ozone Resistance	△	◎
Acid Resistance	△	○
Alkali Resistance	○	◎
Oil Resistance	(Gasoline / Light Oil) ◎	△
(Benzene / Toluene)	△	△
Surface Resistivity	-	-

MISUMI contact

Tel: 038-959200 or 1382
 Email: cs@misumi.co.th

MISUMI WEB "Chat"



Install MISUMI APP



New Products



Representative model: E-SRKN10

Save Up to **30%** vs Standard Type

345

THB

Shipping from **1 day**

Volume Discount

Quantity	1~3	4~5	6~
Discount	Unit Price	15%	30%



Shipping days may differ by Quantity.
Quantity of volume discount above is for representative Part No. It may differ by the Part.

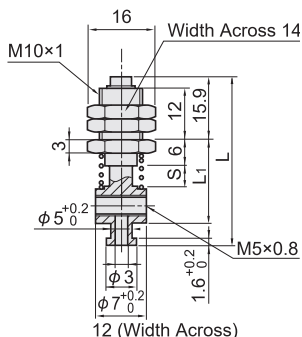
15
Suction Cups / Vacuum Generators / Filters
Suction Cups
P.1031

Part	Material	Surface Treatment
Fitting	A6063	Clear Anodized
Spring	SWP-A	-
Nut	SUS303	-

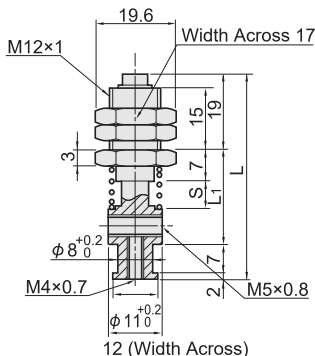
Suction Cup Material	Hardness	Color
Silicon Rubber	Shore A40	Sky Blue
	Shore A50	Translucent

Double Sided Threaded Ports

Cup Dia. 10
Cup Dia. 1010
Cup Dia. 1015



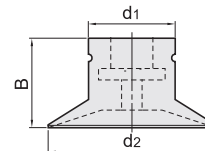
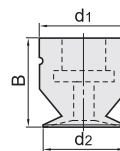
Cup Dia. 20
Cup Dia. 2010
Cup Dia. 2015



Light Type Single-layer Suction Cups

Cup Dia. 6~20

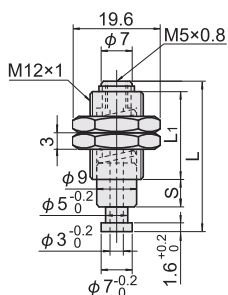
Cup Dia. 30 / 40



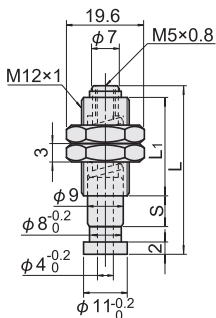
Vacuum Generators
P.1071
Filters
P.1071
Pressure Sensors
P.1081

Top Threaded Ports

Cup Dia. 10
Cup Dia. 1010
Cup Dia. 1015

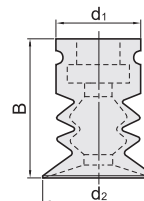


Cup Dia. 20
Cup Dia. 2010
Cup Dia. 2015



Light Type Bellows Suction Cups

Cup Dia. 12 / 20



How to search on website



By Type

Search on MISUMI official website

E-SRK

By Keyword

Step 1 Search on MISUMI official website

suction mv

Step 2 Select MISUMI economy series brand

MISUMI



MISUMI economy

Suction Cup With Pads

Part Number		Style of Suction Cup		Stroke	Double Sided		Top		Spring	
① Type	② No.	③ Type of Suction Cup	④ Cup Dia.	S	L	L1	L	L1	Spring Constant	Maximum Load
E-SRK (Double Sided Threaded Ports) E-SRKN (Top Threaded Ports)	10	- (Single Bracket) P (Single-layer)	6 9 12*	5	40	19	35	22	0.030kgf	0.55kgf
	1010			10	45	24	45	27	0.025kgf	
	1015			15	50	29	55	32	0.020kgf	
	20	- (Bellows Type) PF	15 20* 30 40	5	48	20	39	22	0.037kgf	
	2010			10	53	25	49	27	0.032kgf	
	2015			15	58	30	59	32	0.027kgf	

① Only dimensions with * are available for bellows type suction cups

Suction Cup Units

Part Number			d1	d2	B
① Type	③ Type of Suction Cup	④ Cup Dia.			
E-SR	P (Single-layer) PF (Bellows Type)	6	10	6	12
		9	10.5	9	12.5
		12*	10.5(12)	13(12)	12(17)
		15	16	15	16
		20*	15.5(15)	20(20)	16(25)
		30	15.5	30	16
		40		40	

① Only dimensions with * are available for bellows type suction cups

② Dimensions of the bellows type suction cups in ()

Please order after selecting part number and parameters according to the selection steps ① to ④.

Ordering Example

Part Number (① Type · ② No.) - ③ Type of Suction Cup · ④ Cup Dia.
 E-SRKN10
 E-SRK1010 - P6

Suction Cup Material Specifications

Suction Cup Material		Silicon Rubber
Limit Temperature for High Temperature Use		180°C
Limit Temperature for Low Temperature Use		-50°C
Weather Resistance		○
Ozone Resistance		◎
Acid Resistance		○
Alkali Resistance		◎
Oil Resistance	(Gasoline / Light Oil)	△
	(Benzene / Toluene)	△

MISUMI contact

Tel: 038-959200 or 1382
 Email: cs@misumi.co.th

MISUMI WEB "Chat"



Install MISUMI APP



15

Suction Cups /
Vacuum Generators / Filters

Suction Cups
P.1031

Vacuum
Generators

P.1071

Filters

P.1071

Pressure
Sensors

P.1081

Representative model: C-MVPJN1

Save Up to **66%**
vs Standard Type

Shipping
from
1 day



149 THB

Volume Discount

Quantity	1~9	10~14	15~
Discount	Unit Price	15%	30%



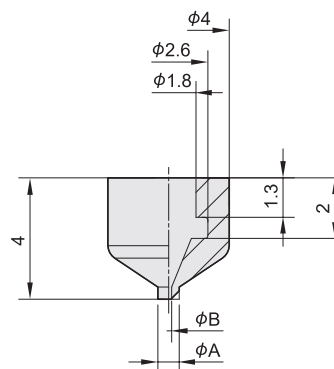
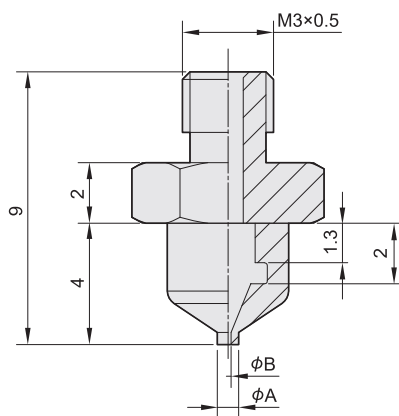
Shipping days may differ by Quantity.
 Quantity of volume discount above is for representative Part No. It may differ by the Part.

15
Suction Cups /
Vacuum Generators / Filters
Suction Cups
P.1031

Suction Cup Material	Hardness	Color
Nitrile Rubber	Shore 60	Black
Silicon Rubber	Shore 50	White
Conductive Silicon Rubber	Shore 50	Black

Support Set

Suction Cup Units



Vacuum
Generators
P.1071
Filters
P.1071
Pressure
Sensors
P.1081

Suction Cup Material Specifications

Suction Cup Material	Nitrile Rubber	Silicon Rubber	Conductive Silicon Rubber
Limit Temperature for High Temperature Use	110°C	180°C	180°C
Limit Temperature for Low Temperature Use	-30°C	-50°C	-40°C
Weather Resistance	△	○	◎
Ozone Resistance	△	◎	◎
Acid Resistance	△	○	○
Alkali Resistance	○	◎	◎
Oil Resistance	(Gasoline / Light Oil)	△	△
	(Benzene / Toluene)	△	△
Surface Resistivity	-	-	10 ⁶ ~10 ⁹ Ω/sq

How to search
on website



By
Type

Search on MISUMI official website

C-MVPJ



By
Keyword

Step 1 ▶ Search on MISUMI official website

suction mv



Step 2 ▶ Select MISUMI economy series brand

MISUMI



Part Number			O.D. A(d)	B
①Type	②Rubber Material	③Cup Dia.		
C-MVPJ (Support Set) C-VPJ (Suction Cup Units)	N (Nitrile Rubber) S (Silicon Rubber) E (Conductive Silicon Rubber)	0.7	0.7	0.2
		1	1	0.4
		1.5	1.5	0.7
		2	2	0.6
		3	3	0.8
		4	4	1.2

Ordering Example

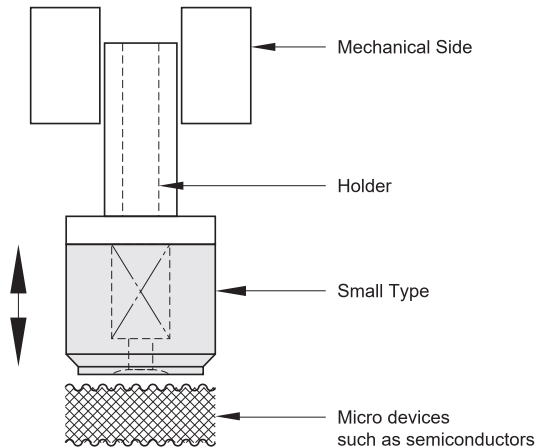
Please order after selecting part number and parameters according to the selection steps ① to ③.

Part Number (①Type · ②Rubber Material · ③Cup Dia.)

C-MVPJN1



Example



15

Suction Cups /
Vacuum Generators / Filters

Suction Cups

P.1031

Vacuum
Generators

P.1071

Filters

P.1071

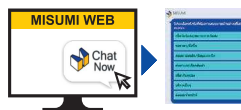
Pressure
Sensors

P.1081

MISUMI contact

Tel: 038-959200 or 1382
Email: cs@misumi.co.th

MISUMI WEB "Chat"



Install MISUMI APP



+ New Specs

Representative model: E-MZU10-N-K10-T



Shipping from **1 day**

539

THB

Volume Discount

Quantity	1~3	4~5	6~
Discount	Unit Price	15%	30%



Shipping days may differ by Quantity.
Quantity of volume discount above is for representative Part No. It may differ by the Part.

15 Suction Cups / Vacuum Generators / Filters

Suction Cups P.1031

Vacuum Generators P.1071

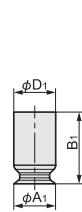
Filters P.1071

Pressure Sensors P.1081

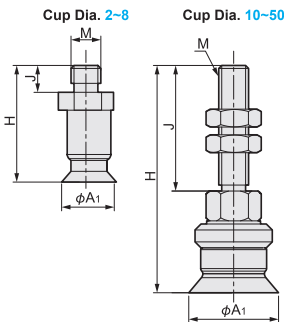
Part	Material	Surface Treatment
Fitting / Screw	Brass	Electroless Nickel Plating

Suction Cup Material	Hardness	Color
Nitrile Rubber	Shore A60	Black
Silicon Rubber		Milky White
Conductive Silicon Rubber		Black

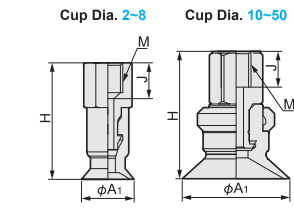
Suction Cup Units



Suction Cup with Connector (Male Thread)



Suction Cup with Connector (Female Thread)



With Buffer

Cup Dia. 2~8

Cup Dia. 10~50

Top: One-Touch Fittings (T)

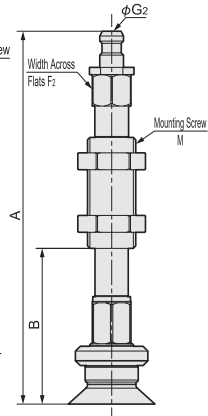
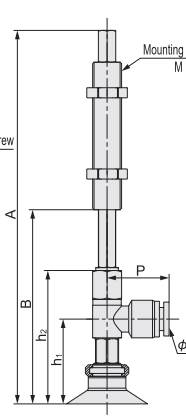
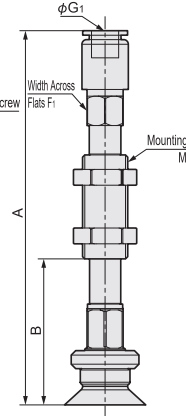
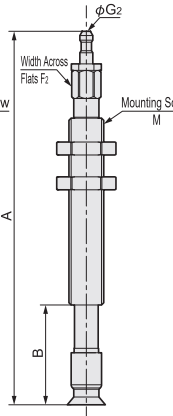
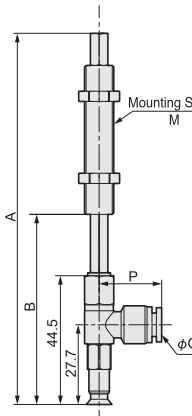
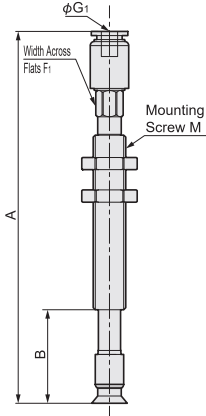
Side: One-Touch Fittings (R)

Top Barbed Fittings (Y)

Top: One-Touch Fittings (T)

Side: One-Touch Fittings (R)

Top Barbed Fittings (Y)



Suction Cup Units and Female / Male Connector

Part Number	Suction Cup Material	Connector	Suction Cup Dimension		Connector M5 (M5×0.8)		Connector M6 (M6×1.0)		Connector FM5 (M5×0.8)		Connector FM6 (M6×1.0)							
			A1	B1	D1	H	J	H	J	H	J	H	J					
E-MZU	N (Nitrile Rubber) S (Silicon Rubber) GS (Conductive Silicon Rubber)	- (Suction Cup Units) M5 (Male Thread) M6 (Male Thread) FM5 (Female Thread)	2.6	12	7	19	3.5	20	4.5	19.5	-	-						
			4.8															
			7															
			9															
		- (Suction Cup Units) M5 (Male Thread) M6 (Male Thread) FM5 (Female Thread) FM6 (Female Thread)	12	13	13	38	21	43	21	5	21	-	-					
			15															
			18											12.5	38.5	43.5	21.5	21.5
			23											14	15	45	26	23
		- (Suction Cup Units) M6 (Male Thread) FM5 (Female Thread) FM6 (Female Thread)	28	14.5	-	-	-	45.5	23.5	-	-	23.5	-					
			35															
			43											18.5	18	50.5	32	
			53											19.5	18	51.5	33	

How to search on website

By Type Search on MISUMI official website

By Keyword Step 1 Search on MISUMI official website

Step 2 Select MISUMI economy series brand



By Type

E-MZU

By Keyword

suction mz

MISUMI



■ Suction Cup With Pads - With Buffer

Part Number		③ Suction Cup Material	Support Rod Type		⑥ Tube Type	Mounting Screw M	Tubes for One-Touch Fittings O.D. φG1	Tubes for Barbed Fittings I.D. φG2	
① Type	② Cup Dia.		④ Rotation Method	⑤ Buffer Stroke					
E-MZU	2	N (Nitrile Rubber) S (Silicon Rubber) GS (Conductive Silicon Rubber)	K (Anti-Rotation) J (Rotatable)	6	T (Top: One-Touch Fittings) R (Side: One-Touch Fittings) Y (Top Barbed Fittings)	M8×1.0	φ4	φ4	
	4			10					
	6			15					
	8			25					
	10			10					
	13								20
	16								30
	20								40
	25								50
	32			10					
40	20								
50	30								
				50		M14×1.0	φ8		

☞ Refer to the left page for the specifications of the suction cup units

■ With Buffer Top One-Touch Fittings / Top Barbed Fittings

Cup Dia.	A (Varies depending on buffer stroke)									B (Varies depending on buffer stroke)								F1	F2
	6	10	15	20	25	30	40	50	6	10	15	20	25	30	40	50			
2																		8	
4	60.7	93.7	98.7	-	108.7	-	-	-	18	23	28	-	38	-	-	-	8		
6																			
8																			
10		83.2		121.2		131.2	167.2	177.2			32.5		42.5		52.5	62.5	72.5	10	6
13																			
16		83.7		121.7		131.7	167.7	177.7			33		43		53	63	73		
20																			
25		85.2		123.2		133.2	169.2	179.2			34.5		44.5		54.5	64.5	74.5		
32																			
40		85.7		123.7		133.7	169.7	179.7			35		45		55	65	75		
50		130.4		129.4		139.4	-	184.4			44.5		54.5		64.5	-	84.5	14	10

■ With Buffer Side One-Touch Fittings

Cup Dia.	A (Varies depending on buffer stroke)									B (Varies depending on buffer stroke)								h1	h2	P
	6	10	15	20	25	30	40	50	6	10	15	20	25	30	40	50				
2										52.5										
4	78.5	109.5	114.5	-	124.5	-	-	-		55.5	55.5	60.5	-	70.5	-	-	-	28.4	44.5	20.6
6																				
8																				
10		91		129		139	175	185			57		67		77	87	97	29.9	46	21.6
13																				
16		91.5		129.5		139.5	175.5	185.5			57.5		67.5		77.5	87.5	97.5	30.4	46.5	
20																				
25		102.6		140.6		150.6	186.6	196.6			68.6		78.6		88.6	98.6	108.6	39.8	57.6	24.3
32		103.1		141.1		151.1	187.1	197.1			69.1		79.1		89.1	99.1	109.1	40.3	58.1	
40		140.6		137.6		147.6	-	192.6			72.6		82.6		92.6	-	112.6	42.8	60.6	
50		141.6		138.6		148.6	-	193.6			73.6		83.6		93.6	-	113.6	43.8	61.6	26.2

Ordering Example

Please order after selecting part number and parameters according to the selection steps ① to ⑥.

Part Number
 ① Type · ② Cup Dia.) - ③ Suction Cup Material - ④ Rotation Method (Connector): ⑤ Buffer Stroke - ⑥ Tube Type

E-MZU10 - N - M5
 E-MZU10 - N - K10 - T

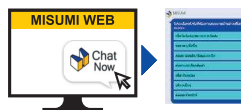
■ Suction Cup Material Specifications

Suction Cup Material	Nitrile Rubber	Silicon Rubber	Conductive Silicon Rubber
Limit Temperature for High Temperature Use	110°C	180°C	180°C
Limit Temperature for Low Temperature Use	-30°C	-50°C	-40°C
Weather Resistance	△	○	◎
Ozone Resistance	△	◎	◎
Acid Resistance	△	○	○
Alkali Resistance	○	◎	◎
Oil Resistance (Gasoline / Light Oil)	◎	△	△
Resistance (Benzene / Toluene)	△	△	△
Surface Resistivity	-	-	10 ⁶ ~10 ⁹ Ω/sq

MISUMI contact

Tel: 038-959200 or 1382
 Email: cs@misumi.co.th

MISUMI WEB "Chat"



Install MISUMI APP



15

Vacuum Generators / Filters

Suction Cups

P.1031

Vacuum Generators

P.1071

Filters

P.1071

Pressure Sensors

P.1081

+ New Specs

Representative model: E-MZC20-N-K10-T



563

THB

Shipping from **1 day**

Volume Discount

Quantity	1~3	4~5	6~
Discount	Unit Price	15%	30%



Shipping days may differ by Quantity.
Quantity of volume discount above is for representative Part No. It may differ by the Part.

15 Suction Cups / Vacuum Generators / Filters

Suction Cups P.1031

Vacuum Generators P.1071

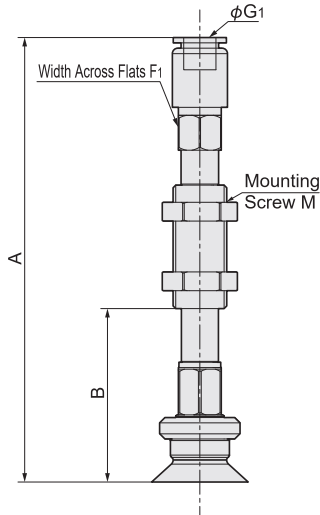
Filters P.1071

Pressure Sensors P.1081

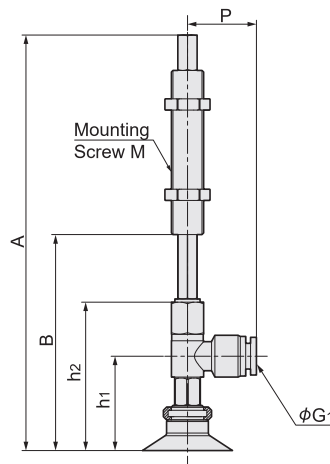
Part	Material	Surface Treatment
Fitting / Screw	Brass	Electroless Nickel Plating

Suction Cup Material	Hardness	Color
Nitrile Rubber	Shore A60	Black
Silicon Rubber		Milky White
Conductive Silicon Rubber		Black

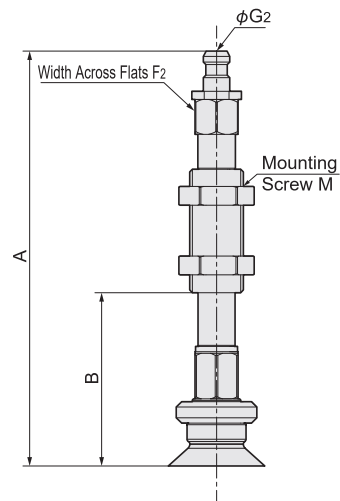
Top: One-Touch Fittings (T)



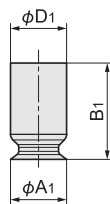
Side: One-Touch Fittings (R)



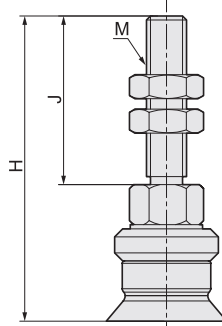
Top Barbed Fittings (Y)



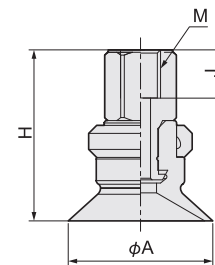
Suction Cup Units



Suction Cup with Connector (Male Thread)



Suction Cup with Connector (Female Thread)



Suction Cup Units and Female / Male Connector

Part Number	① Type	② Cup Dia.	③ Suction Cup Material	④ Connector	Suction Cup Dimension		Connector M5 (M5×0.8)		Connector M6 (M6×1.0)		Connector FM5 (M5×0.8)		Connector FM6 (M6×1.0)	
					A1	B1	D1	H	J	H	J	H	J	H
E-MZC		10	N (Nitrile Rubber)	- (Suction Cup Units)	12									
		13		M5 (Male Thread)	15	13	13	38	21	43		21		21
		16		FM5 (Female Thread)	18	12.5		38.5		43.5		21.5	6	21.5
		20		FM6 (Female Thread)	23					45	26	23		23
		25	S (Silicon Rubber) GS (Conductive Silicon Rubber)	- (Suction Cup Units)	28	14	15			45.5		23.5		23.5
		32		M6 (Male Thread)	35	14.5		-	-	50.5		-		32
		40		FM5 (Female Thread)	43	18.5				51.5		-		33
		50		FM6 (Female Thread)	53	19.5								

Suction Cup With Pads - With Buffer

Part Number		③ Suction Cup Material	Support Rod Type		⑥ Tube Type	Mounting Screw M	Tubes for One-Touch Fittings O.D. φG1	Tubes for Barbed Fittings I.D. φG2
① Type	② Cup Dia.		④ Rotation Method	⑤ Buffer Stroke				
E-MZC	10	N (Nitrile Rubber) S (Silicon Rubber) GS (Conductive Silicon Rubber)	K (Anti-Rotation) J (Rotatable)	10 20 30 40 50	T (Top: One-Touch Fittings) R (Side: One-Touch Fittings) Y (Top Barbed Fittings)	M10×1.0	φ6	φ6
	13							
	16							
	20							
	25							
	32							
	40							
	50							
				10 20 30 50		M14×1.0	φ8	

Refer to the left page for the specifications of the suction cup units

With Buffer Top One-Touch Fittings / Top Barbed Fittings

Cup Dia.	A (Varies depending on buffer stroke)					B (Varies depending on buffer stroke)					F1	F2
	10	20	30	40	50	10	20	30	40	50		
10											10	6
13	83.2	121.2	131.2	167.2	177.2	32.5	42.5	52.5	62.5	72.5		
16	83.7	121.7	131.7	167.7	177.7	33	43	53	63	73		
20	85.2	123.2	133.2	169.2	179.2	34.5	44.5	54.5	64.5	74.5		
25	85.7	123.7	133.7	169.7	179.7	35	45	55	65	75		
32	85.7	123.7	133.7	169.7	179.7	35	45	55	65	75	14	10
40	130.4	129.4	139.4	-	184.4	44.5	54.5	64.5	-	84.5		
50	131.4	130.4	140.4	-	185.4	55.5	55.5	65.5	-	85.5		

With Buffer Side One-Touch Fittings

Cup Dia.	A (Varies depending on buffer stroke)					B (Varies depending on buffer stroke)					h1	h2	P
	10	20	30	40	50	10	20	30	40	50			
10											29.9	46	21.6
13	91	129	139	175	185	57	67	77	87	97			
16	91.5	129.5	139.5	175.5	185.5	57.5	67.5	77.5	87.5	97.5			
20	102.6	140.6	150.6	186.6	196.6	68.6	78.6	88.6	98.6	108.6	39.8	57.6	24.3
25	103.1	141.1	151.1	187.1	197.1	69.1	79.1	89.1	99.1	109.1			
32	140.6	137.6	147.6	-	192.6	72.6	82.6	92.6	-	112.6	42.8	60.6	26.2
40	141.6	138.6	148.6	-	193.6	73.6	83.6	93.6	-	113.6			
50											43.8	61.6	

Ordering Example

Please order after selecting part number and parameters according to the selection steps ① to ⑥.

Part Number ① Type ② Cup Dia.)	-	③ Suction Cup Material	-	④ Rotation Method (Connector)- ⑤ Buffer Stroke	-	⑥ Tube Type
E-MZC20	-	N	-	M5 K10	-	T

Suction Cup Material Specifications

Suction Cup Material	Nitrile Rubber	Silicon Rubber	Conductive Silicon Rubber
Limit Temperature for High Temperature Use	110°C	180°C	180°C
Limit Temperature for Low Temperature Use	-30°C	-50°C	-40°C
Weather Resistance	△	○	◎
Ozone Resistance	△	◎	◎
Acid Resistance	△	○	○
Alkali Resistance	○	◎	◎
Oil Resistance (Gasoline / Light Oil)	◎	△	△
Resistance (Benzene / Toluene)	△	△	△
Surface Resistivity	-	-	10 ⁹ ~10 ⁹ Ω/sq

How to search on website



By Type

Search on MISUMI official website

E-MZC



By Keyword

Step 1 Search on MISUMI official website

suction mz



Step 2 Select MISUMI economy series brand



15

Suction Cups / Vacuum Generators / Filters

Suction Cups

P.1031

Vacuum Generators

P.1071

Filters

P.1071

Pressure Sensors

P.1081

+ New Specs

Representative model: E-MZB10-N-K10-T

Shipping from **1 day**



566

THB

Volume Discount

Quantity	1~3	4~5	6~
Discount	Unit Price	15%	30%



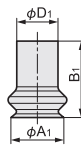
Shipping days may differ by Quantity.
Quantity of volume discount above is for representative Part No. It may differ by the Part.

15 Suction Cups / Vacuum Generators / Filters
Suction Cups

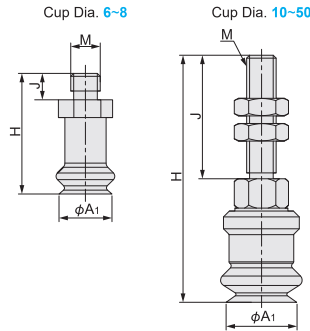
Part	Material	Surface Treatment
Fitting	Brass	Electroless Nickel Plating
Non-marking Lining	PEEK	-

Suction Cup Material	Hardness	Color
Nitrile Rubber	Shore A60	Black
Silicon Rubber		Milky White
Conductive Silicon Rubber		Black

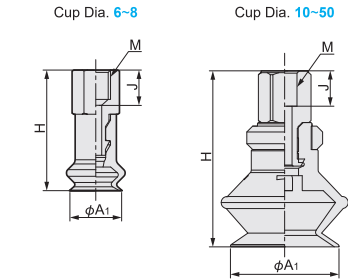
Suction Cup Units



Suction Cup with Connector (Male Thread)



Suction Cup with Connector (Female Thread)



With Buffer

Cup Dia. 6~8

Top: One-Touch Fittings (T)

Side: One-Touch Fittings (R)

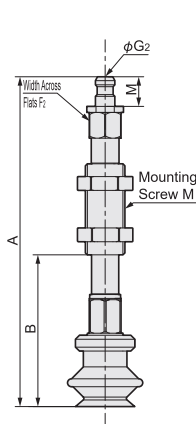
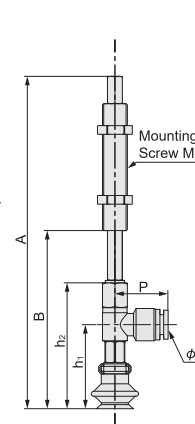
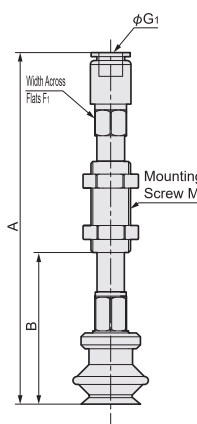
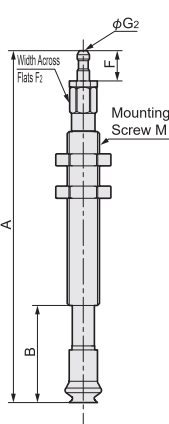
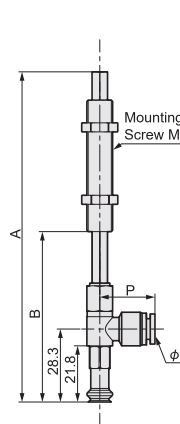
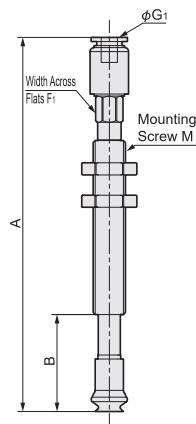
Top Barbed Fittings (Y)

Cup Dia. 10~50

Top: One-Touch Fittings (T)

Side: One-Touch Fittings (R)

Top Barbed Fittings (Y)



Suction Cup Units and Female / Male Connector

Part Number	Suction Cup Material	Connector	Suction Cup Dimension			Connector M5 (M5×0.8)		Connector M6 (M6×1.0)		Connector FM5 (M5×0.8)		Connector FM6 (M6×1.0)			
			A1	B1	D1	H	J	H	J	H	J	H	J		
E-MZB	N (Nitrile Rubber) S (Silicon Rubber) GS (Conductive Silicon Rubber)	- (Suction Cup Units) M5 (Male Thread) M6 (Male Thread) FM5 (Female Thread)	7	13	7	20	3.5	21	4.5	20.5	-	-	-		
			9												
			12	16		42		47		25		25			
						13	44.5	21	49.5		27.5	5	27.5		
					18	20		46		51		29		29	
					22	23.5				54.5	26	32.5		32.5	6
					28	24				55		33		33	
					34	29	15			60		38		38	
					43	34				66				40.7	
					53	38	18			70				51.5	

For suction cup material specifications, refer to P.1064

■ Suction Cup With Pads - With Buffer

Part Number		③ Suction Cup Material	Support Rod Type		⑥ Tube Type	Mounting Screw M	Tubes for One-Touch Fittings O.D. φG1	Tubes for Barbed Fittings I.D. φG2
① Type	② Cup Dia.		④ Rotation Method	⑤ Buffer Stroke				
E-MZB	6	N (Nitrile Rubber) S (Silicon Rubber) GS (Conductive Silicon Rubber)	K (Anti-Rotation) J (Rotatable)	6	T (Top: One-Touch Fittings) R (Side: One-Touch Fittings) Y (Top Barbed Fittings)	M8×1.0	φ4	φ4
	8			10				
	10			15				
	13			25				
	16			10				
	20			20				
	25			30				
	32			40				
	40			50				
50	10							
	20							
	30							
	40							
	50							
					M14×1.0	φ8		

① Refer to the left page for the specifications of the suction cup units

■ With Buffer Top One-Touch Fittings / Top Barbed Fittings

Cup Dia.	A (Varies depending on buffer stroke)								B (Varies depending on buffer stroke)								F1	F2
	6	10	15	20	25	30	40	50	6	10	15	20	25	30	40	50		
6	61.7	94.7	99.7	-	109.7	-	-	-	12	24	29	-	39	-	-	-	8	6
8																		
10		87.2		125.2		135.2	171.2	181.2		36.5		46.5		56.5	66.5	76.5	10	10
13		89.7		127.7		137.7	173.7	183.7		39		49		59	69	79		
16		91.2		129.2		139.2	175.2	185.2		40.5		50.5		60.5	70.5	80.5		
20		94.7		132.7		168.7	178.7	188.7		44		54		64	74	84		
25		95.2		133.2		169.2	179.2	189.2		44.5		54.5		64.5	74.5	84.5		
32		100.2		138.2		148.2	184.2	194.2		49.5		59.5		69.5	79.5	89.5		
40		145.9		144.9		154.9	-	199.9		60		70		80	-	100		
50		149.9		148.9		158.9	-	203.9		64		74		84	-	104		

■ With Buffer Side One-Touch Fittings

Cup Dia.	A (Varies depending on buffer stroke)								B (Varies depending on buffer stroke)								h1	h2	P
	6	10	15	20	25	30	40	50	6	10	15	20	25	30	40	50			
6	79.5	110.5	115.5	-	125.5	-	-	-	53.5	56.5	61.5	-	71.5	-	-	-	29.4	45.5	20.6
8																			
10		95		133		143	179	189		61		71		81	91	101	33.9	50	21.6
13		97.5		135.5		145.5	181.5	191.5		63.5		73.5		83.5	93.5	103.5	36.4	52.5	
16		99		137		147	183	193		65		75		85	95	105	37.9	54	
20		112.1		150.1		160.1	196.1	206.1		78.1		88.1		98.1	108.1	118.1	49.3	67.1	
25		112.6		150.6		160.6	196.6	206.6		78.6		88.6		98.6	108.6	118.6	49.8	67.6	
32		117.6		155.6		165.6	201.6	211.6		83.6		93.6		103.6	113.6	123.6	54.8	72.6	
40		156.1		153.1		163.1	-	208.1		88.1		98.1		108.1	-	128.1	58.3	76.1	
50		160.1		157.1		167.1	-	212.1		92.1		102.1		112.1	-	132.1	62.3	80.1	

Ordering Example

Please order after selecting part number and parameters according to the selection steps ① to ⑥.

Part Number (① Type · ② Cup Dia.) - ③ Suction Cup Material - ④ Rotation Method (Connector) - ⑤ Buffer Stroke - ⑥ Tube Type

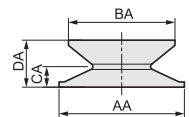
E-MZB10 - N - M5 - T

E-MZB10 - N - K10 - T

■ Non-marking Lining of Suction Cups

Part Number	Type	Cup Dia.	AA	BA	CA	DA
			6	7	5.1	1.5
8	9.3	7.6	1.4	2.6		
10	12	10.2	2	4.5		
13	15.2	12	2.8	5.25		
16	18	13.5	3.4	6		
20	23.2	17.2	2.5	8.1		
25	27	20	3.5	7		
32	35	25.94	5.5	10		

E-PEEK



How to search on website

By Type: Search on MISUMI official website **E-MZB**

By Keyword: Step 1 ▶ Search on MISUMI official website **suction mz** Step 2 ▶ Select MISUMI economy series brand MiSUMI MISUMI economy

MISUMI contact
Tel: 038-959200 or 1382
Email: cs@misumi.co.th

MISUMI WEB "Chat"
MISUMI WEB Chat Now

Install MISUMI APP
MISUMI economy

15
Suction Cups / Vacuum Generators / Filters
Suction Cups P.1031
Vacuum Generators P.1071
Filters P.1071
Pressure Sensors P.1081

New Products

Representative model: E-MZ3MU2-N-K3-T



Shipping from **1 day**

507

THB

Volume Discount

Quantity	1~3	4~5	6~
Discount	Unit Price	15%	30%

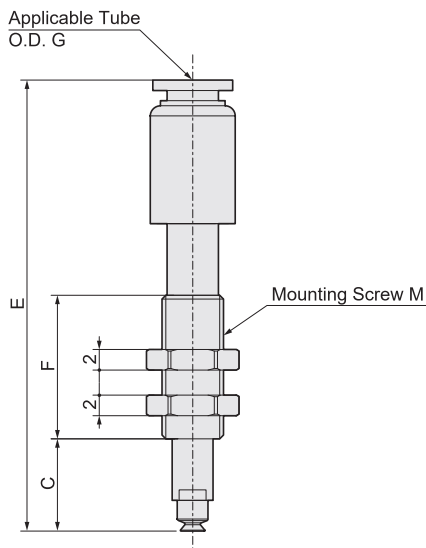


Shipping days may differ by Quantity.
Quantity of volume discount above is for representative Part No. It may differ by the Part.

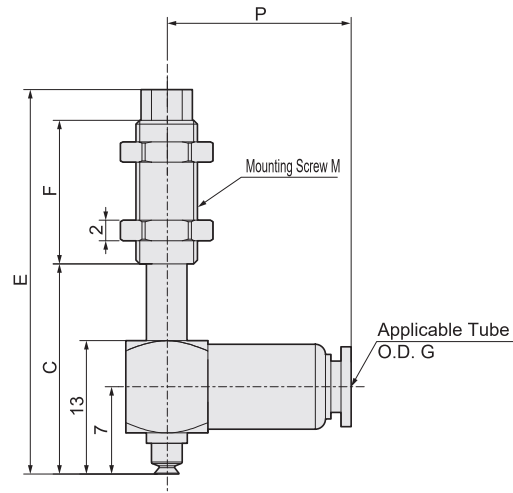
Material	Surface Treatment
Metal Part Material / Brass	Electroless Nickel Plating

Suction Cup Material	Hardness	Color
Nitrile Rubber	Shore A60	Black
Silicon Rubber		Milky White
Conductive Silicon Rubber		Black

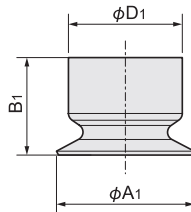
Top: One-Touch Fittings (T)



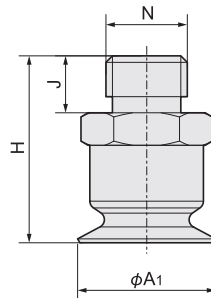
Side: One-Touch Fittings (R)



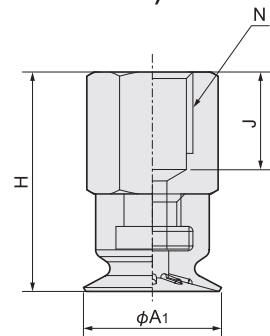
Suction Cup Units



Suction Cup with Connector (Male Thread)



Suction Cup with Connector (Female Thread)



Suction Cup Units and Female / Male Connector

Part Number		③ Suction Cup Material	④ Connector	A1	B1	D1	N Connector M3 (M3×0.5)		N Connector FM3 (M3×0.5)	
① Type	② Cup Dia.						H	J	H	J
E-MZ3MU	1.5	N (Nitrile Rubber)	- (Suction Cup Units)	2	3	3	8	2.5	8.5	3.5
	2	S (Silicon Rubber)	M3 (Male Thread)							
	3.5	GS (Conductive Silicon Rubber)	FM3 (Female Thread)							

15
Suction Cups / Vacuum Generators / Filters
Suction Cups
P.1031
Vacuum Generators
P.1071
Filters
P.1071
Pressure Sensors
P.1081

■ Suction Cup With Pads - With Buffer

Part Number		③ Suction Cup Material	Support Rod Type		⑥ Tube Type	Mounting Screw M	Tubes for One-Touch Fittings O.D. φG
① Type	② Cup Dia.		④ Rotation Method	⑤ Buffer Stroke			
E-MZ3MU	1.5	N (Nitrile Rubber) S (Silicon Rubber) GS (Conductive Silicon Rubber)	K (Anti-Rotation) J (Rotatable)	3 6	T (Top: One-Touch Fittings) R (Side: One-Touch Fittings)	M8×0.75 (Anti-Rotation) M6×0.75 (Rotatable)	φ4
	2						
	3.5						

☞ Refer to the left page for the specifications of the suction cup units

■ With Buffer Top One-Touch Fittings

Cup Dia.	Rotation Method	C (Varies depending on buffer stroke)		E (Varies depending on buffer stroke)		F (Varies depending on buffer stroke)	
		3	6	3	6	3	6
1.5	K (Anti-Rotation)	8	11	40.2	46.7	11	14.5
2							
3.5							
1.5	J (Rotatable)	7	10	37.7	44.7	10	14
2							
3.5							

■ With Buffer Side One-Touch Fittings

Cup Dia.	Rotation Method	C (Varies depending on buffer stroke)		E (Varies depending on buffer stroke)		F (Varies depending on buffer stroke)		P
		3	6	3	6	3	6	
1.5	K (Anti-Rotation)	17	20	34	40.5	11	14.5	17.7
2								
3.5								
1.5	J (Rotatable)			30	37	10	14	
2								
3.5								

Ordering Example

Please order after selecting part number and parameters according to the selection steps ① to ⑥.

Part Number (① Type · ② Cup Dia.)	-	③ Suction Cup Material	-	④ Rotation Method (Connector) · ⑤ Buffer Stroke	-	⑥ Tube Type
E-MZ3MU2	-	N	-	M3	-	T
E-MZ3MU2	-	N	-	K3	-	T

■ Suction Cup Material Specifications

Suction Cup Material	Nitrile Rubber	Silicon Rubber	Conductive Silicon Rubber
Limit Temperature for High Temperature Use	110°C	180°C	180°C
Limit Temperature for Low Temperature Use	-30°C	-50°C	-40°C
Weather Resistance	△	○	◎
Ozone Resistance	△	◎	◎
Acid Resistance	△	○	○
Alkali Resistance	○	◎	◎
Oil Resistance	(Gasoline / Light Oil)	◎	△
	(Benzene / Toluene)	△	△
Surface Resistivity	-	-	10 ⁶ ~10 ⁹ Ω/sq

How to search on website

By Type: Search on MISUMI official website

By Keyword: Step 1 ▶ Search on MISUMI official website Step 2 ▶ Select MISUMI economy series brand MISUMI MISUMI economy

MISUMI contact
Tel: 038-959200 or 1382
Email: cs@misumi.co.th

MISUMI WEB "Chat"

Install MISUMI APP

15
Suction Cups /
Vacuum Generators / Filters
Suction Cups
P.1031
Vacuum
Generators
P.1071
Filters
P.1071
Pressure
Sensors
P.1081

New Products

Representative model: E-MZ3MG4-N-K3-T



Shipping from **1 day**

473

THB

Volume Discount

Quantity	1~3	4~5	6~
Discount	Unit Price	15%	30%



Shipping days may differ by Quantity.
Quantity of volume discount above is for representative Part No. It may differ by the Part.

Material	Surface Treatment
Metal Part Material / Brass	Electroless Nickel Plating

Suction Cup Material	Hardness	Color
Nitrile Rubber	Shore A60	Black
Silicon Rubber		Milky White
Conductive Silicon Rubber		Black

■ With Buffer

Cup Dia. 4~8

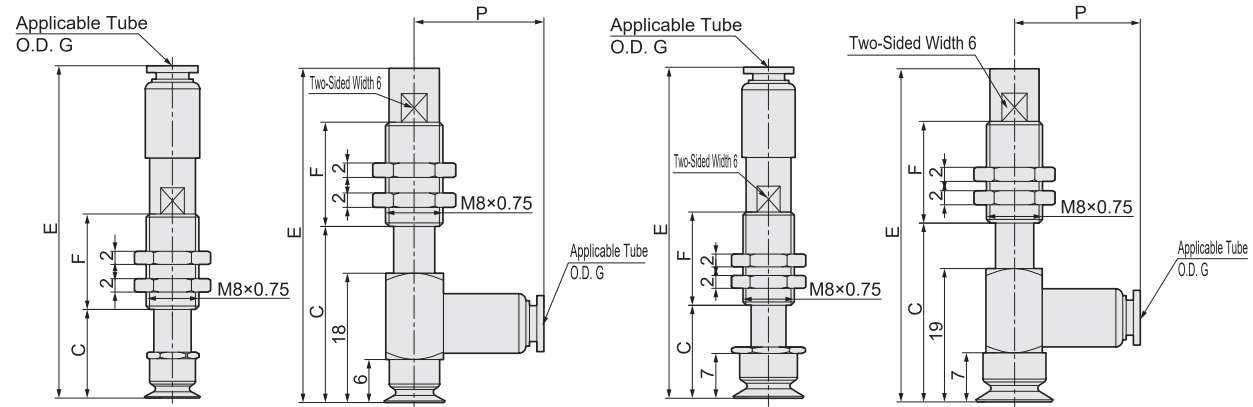
Cup Dia. 10~16

Top: One-Touch Fittings (T)

Side: One-Touch Fittings (R)

Top: One-Touch Fittings (T)

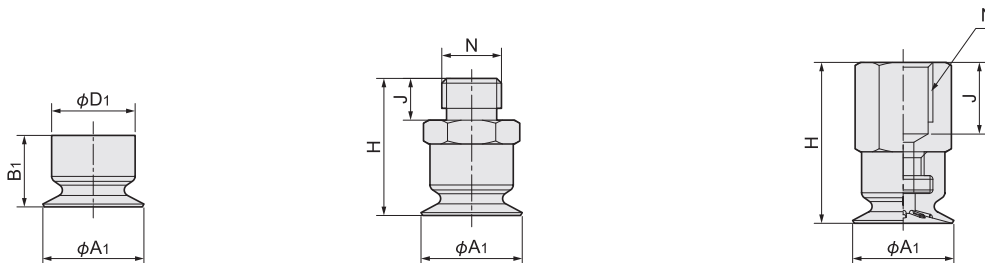
Side: One-Touch Fittings (R)



■ Suction Cup Units

■ Suction Cup with Connector (Male Thread)

■ Suction Cup with Connector (Female Thread)



■ Suction Cup Units and Female / Male Connector

Part Number		③ Suction Cup Material	④ Connector	A1	B1	D1	N Connector M5 (M5×0.8)		N Connector FM5 (M5×0.8)	
① Type	② Cup Dia.						H	J	H	J
E-MZ3MG	4	N (Nitrile Rubber) S (Silicon Rubber) GS (Conductive Silicon Rubber)	- (Suction Cup Units) M5 (Male Thread) FM5 (Female Thread)	4.5	6	7	11.5	3	13.5	5
	6			7						
	8			9						
	10			11						
	13			14						
	16			17						

■ Suction Cup With Pads - With Buffer

Part Number		③ Suction Cup Material	Support Rod Type		⑥ Tube Type	Mounting Screw M	Tubes for One-Touch Fittings O.D. φG
① Type	② Cup Dia.		④ Rotation Method	⑤ Buffer Stroke			
E-MZ3MG	4	N (Nitrile Rubber) S (Silicon Rubber) GS (Conductive Silicon Rubber)	K (Anti-Rotation) J (Rotatable)	3 6 10	T (Top: One-Touch Fittings) R (Side: One-Touch Fittings)	M8×0.75	φ4
	6						
	8						
	10						φ6
	13						
	16						

📍 Refer to the left page for the specifications of the suction cup units

■ With Buffer Top One-Touch Fittings

Cup Dia.	C (Varies depending on buffer stroke)			E (Varies depending on buffer stroke)			F (Varies depending on buffer stroke)		
	3	6	10	3	6	10	3	6	10
4	11	14	18	44.4	50.9	60.9	11	14.5	20.5
6									
8									
10	12	15	19	46.2	52.7	62.7			
13									
16									

■ With Buffer Side One-Touch Fittings

Cup Dia.	C (Varies depending on buffer stroke)			E (Varies depending on buffer stroke)			F (Varies depending on buffer stroke)			P
	3	6	10	3	6	10	3	6	10	
4	22.5	25	29	40	46	56	11	14.5	20.5	17.8
6										
8										
10	23.5	26	30	41	47	57				18.6
13										
16										

Ordering Example Please order after selecting part number and parameters according to the selection steps ① to ⑥.

Part Number (① Type · ② Cup Dia.)	-	③ Suction Cup Material	-	④ Rotation Method (Connector) · ⑤ Buffer Stroke	-	⑥ Tube Type
E-MZ3MG4	-	N	-	M5	-	T
E-MZ3MG4	-	N	-	K3	-	T

■ Suction Cup Material Specifications

Suction Cup Material	Nitrile Rubber	Silicon Rubber	Conductive Silicon Rubber
Limit Temperature for High Temperature Use	110°C	180°C	180°C
Limit Temperature for Low Temperature Use	-30°C	-50°C	-40°C
Weather Resistance	△	○	◎
Ozone Resistance	△	◎	◎
Acid Resistance	△	○	○
Alkali Resistance	○	◎	◎
Oil Resistance (Gasoline / Light Oil)	◎	△	△
Oil Resistance (Benzene / Toluene)	△	△	△
Surface Resistivity	-	-	10 ⁶ ~10 ⁹ Ω/sq

How to search on website

By Type: Search on MISUMI official website

By Keyword: Step 1 ▶ Search on MISUMI official website Step 2 ▶ Select MISUMI economy series brand MiSUMI MISUMI economy

MISUMI contact
Tel: 038-959200 or 1382
Email: cs@misumi.co.th

MISUMI WEB "Chat"

Install MISUMI APP

15
Vacuum Generators / Filters
Suction Cups
P.1031
Vacuum Generators
P.1071
Filters
P.1071
Pressure Sensors
P.1081

New Products

Representative model: E-MZ3MB10-N-K3-T

Shipping from **1 day**



490

THB

Volume Discount

Quantity	1~3	4~5	6~
Discount	Unit Price	15%	30%



Shipping days may differ by Quantity.
Quantity of volume discount above is for representative Part No. It may differ by the Part.

15
Suction Cups / Vacuum Generators / Filters
Suction Cups
P.1031
Vacuum Generators
P.1071
Filters
P.1071
Pressure Sensors
P.1081

Material	Surface Treatment
Metal Part Material / Brass	Electroless Nickel Plating

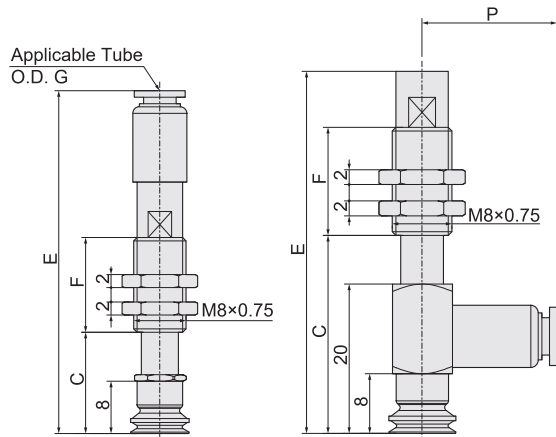
Suction Cup Material	Hardness	Color
Nitrile Rubber	Shore A60	Black
Silicon Rubber		Milky White
Conductive Silicon Rubber		Black

With Buffer

Cup Dia. 4~8

Top: One-Touch Fittings (T)

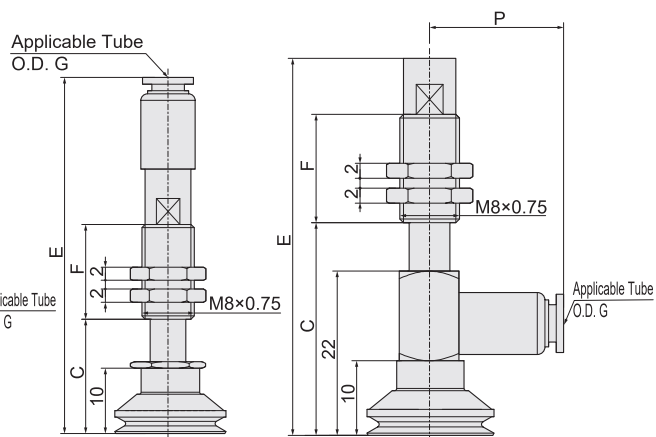
Side: One-Touch Fittings (R)



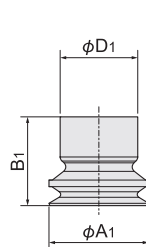
Cup Dia. 10~16

Top: One-Touch Fittings (T)

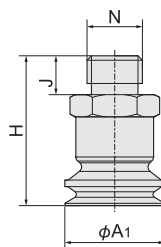
Side: One-Touch Fittings (R)



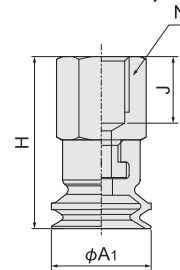
Suction Cup Units



Suction Cup with Connector (Male Thread)



Suction Cup with Connector (Female Thread)



Suction Cup Units and Female / Male Connector

Part Number		③ Suction Cup Material	④ Connector	N Connector M5 (M5x0.8)		N Connector FM5 (M5x0.8)			
① Type	② Cup Dia.			A1	B1	D1	H	J	
E-MZ3MB	4	N (Nitrile Rubber)	-	4.5	8	7	13.5	3	15.5
	6			7					
	8	9							
	10	11							
	13	14							
	16	17							
		S (Silicon Rubber)	M5 (Male Thread)						
		GS (Conductive Silicon Rubber)	FM5 (Female Thread)						

How to search on website



By Type

Search on MISUMI official website

E-MZ3MB



By Keyword

Step 1 Search on MISUMI official website

suction mz



Step 2 Select MISUMI economy series brand

MISUMI



MISUMI economy

■ Suction Cup With Pads - With Buffer

Part Number		③ Suction Cup Material	Support Rod Type		⑥ Tube Type	Mounting Screw M	Tubes for One-Touch Fittings O.D. φG
① Type	② Cup Dia.		④ Rotation Method	⑤ Buffer Stroke			
E-MZ3MB	4	N (Nitrile Rubber) S (Silicon Rubber) GS (Conductive Silicon Rubber)	K (Anti-Rotation) J (Rotatable)	3 6 10	T (Top: One-Touch Fittings) R (Side: One-Touch Fittings)	M8×0.75	φ4
	6						φ6
	8						
	10						
	13						
	16						

① Refer to the left page for the specifications of the suction cup units

■ With Buffer Top One-Touch Fittings

Cup Dia.	C (Varies depending on buffer stroke)			E (Varies depending on buffer stroke)			F (Varies depending on buffer stroke)		
	3	6	10	3	6	10	3	6	10
4	13	16	20	46.4	52.9	62.9	11	14.5	20.5
6									
8									
10	15	18	22	49.2	55.7	65.7			
13									
16									

■ With Buffer Side One-Touch Fittings

Cup Dia.	C (Varies depending on buffer stroke)			E (Varies depending on buffer stroke)			F (Varies depending on buffer stroke)			P
	3	6	10	3	6	10	3	6	10	
4	24.5	27	31	42	48	58	11	14.5	20.5	17.8
6										
8										
10	26.5	29	33	44	50	60				18.6
13										
16										



Please order after selecting part number and parameters according to the selection steps ① to ⑥.

Part Number (① Type · ② Cup Dia.)	-	③ Suction Cup Material	-	④ Rotation Method (Connector) · ⑤ Buffer Stroke	-	⑥ Tube Type
E-MZ3MB	-	N	-	M5	-	T
E-MZ3MB	-	N	-	K3	-	T

■ Suction Cup Material Specifications

Suction Cup Material	Nitrile Rubber	Silicon Rubber	Conductive Silicon Rubber
Limit Temperature for High Temperature Use	110°C	180°C	180°C
Limit Temperature for Low Temperature Use	-30°C	-50°C	-40°C
Weather Resistance	△	○	◎
Ozone Resistance	△	◎	◎
Acid Resistance	△	○	○
Alkali Resistance	○	◎	◎
Oil Resistance	(Gasoline / Light Oil) ◎	△	△
	(Benzene / Toluene) △	△	△
Surface Resistivity	-	-	10 ⁶ ~10 ⁹ Ω/sq

MISUMI contact

Tel: 038-959200 or 1382
Email: cs@misumi.co.th

MISUMI WEB "Chat"



Install MISUMI APP



New Products

Representative model: E-MZ2AN0.8-N-M5



Shipping from **1 day**

199

THB

Volume Discount

Quantity	1~9	10~14	15~
Discount	Unit Price	15%	30%



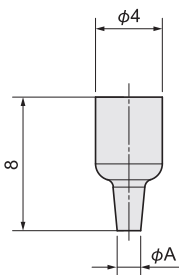
Shipping days may differ by Quantity.
Quantity of volume discount above is for representative Part No. It may differ by the Part.

15 Suction Cups / Vacuum Generators / Filters
Suction Cups
P.1031

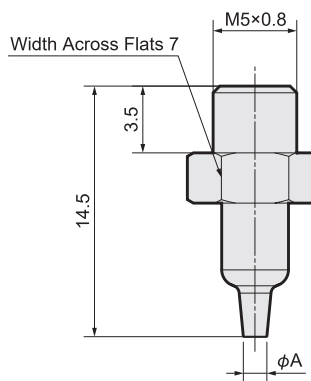
Material	Surface Treatment
Metal Part Material / Brass	Electroless Nickel Plating

Suction Cup Material	Hardness	Color
Nitrile Rubber	Shore A60	Black
Silicon Rubber		Milky White
Conductive Silicon Rubber		Black

Suction Cup Units



Suction Cup with Connector (Male Thread)



Vacuum Generators
P.1071
Filters
P.1071
Pressure Sensors
P.1081

Part Number	1 Type	2 Cup Dia.	3 Suction Cup Material	4 Connector	A
E-MZ2AN		0.8	N (Nitrile Rubber)	- (Suction Cup Units)	1.6
		1.1	S (Silicon Rubber) GS (Conductive Silicon Rubber)	M5 (Male Thread)	2

Ordering Example

Please order after selecting part number and parameters according to the selection steps 1 to 4.
Part Number (1 Type · 2 Cup Dia.) - 3 Suction Cup Material - 4 Connector
E-MZ2AN0.8 - N - M5

Suction Cup Material Specifications

Suction Cup Material	Nitrile Rubber	Silicon Rubber	Conductive Silicon Rubber
Limit Temperature for High Temperature Use	110°C	180°C	180°C
Limit Temperature for Low Temperature Use	-30°C	-50°C	-40°C
Weather Resistance	△	○	◎
Ozone Resistance	△	◎	◎
Acid Resistance	△	○	○
Alkali Resistance	○	◎	◎
Oil Resistance (Gasoline / Light Oil)	◎	△	△
(Benzene / Toluene)	△	△	△
Surface Resistivity	-	-	10 ⁶ ~10 ⁹ Ω/sq

How to search on website



By Type Search on MISUMI official website
E-MZ2AN

By Keyword Step 1 Search on MISUMI official website
suction mz

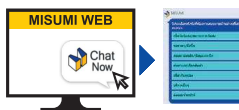
Step 2 Select MISUMI economy series brand



MISUMI contact

Tel: 038-959200 or 1382
Email: cs@misumi.co.th

MISUMI WEB "Chat"



Install MISUMI APP



New Products

Representative model: E-MZ2MU10-GS-M5



Shipping from **1 day**

223

THB

Volume Discount

Quantity	1~9	10~14	15~
Discount	Unit Price	15%	30%

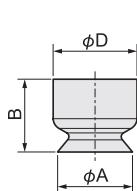


Shipping days may differ by Quantity.
Quantity of volume discount above is for representative Part No. It may differ by the Part.

Material	Surface Treatment
Metal Part Material / Brass	Electroless Nickel Plating

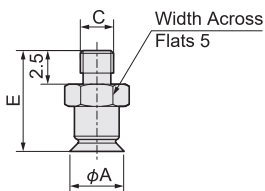
Suction Cup Material	Hardness	Color
Nitrile Rubber	Shore A60	Black
Silicon Rubber		Milky White
Conductive Silicon Rubber		Black

Suction Cup Units



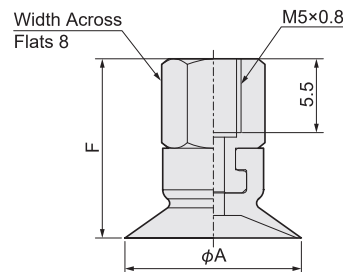
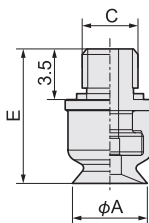
Suction Cup with Connector (Male Thread)

Cup Dia. 2~5



Suction Cup with Connector (Female Thread)

Cup Dia. 6~15



Part Number		3 Suction Cup Material	4 Connector	A	B	C	D	E	F
1 Type	2 Cup Dia.								
E-MZ2MU	2	N (Nitrile Rubber)	- (Suction Cup Units) M3 (Male Thread)	2.4	4	M3x0.5	4	9	-
	3.5			3.8					
	4			4.8					
	5			5.8					
	6	S (Silicon Rubber)	- (Suction Cup Units) M5 (Male Thread) FM5 (Female Thread)	6.7	6.5	M5x0.8	7.5	11.5	14.5
	8			8.8			8	12	15
	10			10.6			7	8	12
15			15.6	8		9	13	16	

Ordering Example

Please order after selecting part number and parameters according to the selection steps ① to ④.

Part Number (①Type · ②Cup Dia.) - ③Suction Cup Material - ④Connector
 E-MZ2MU10 - GS - M5
 E-MZ2MU10 - GS - M5

Suction Cup Material Specifications

Suction Cup Material	Nitrile Rubber	Silicon Rubber	Conductive Silicon Rubber
Limit Temperature for High Temperature Use	110°C	180°C	180°C
Limit Temperature for Low Temperature Use	-30°C	-50°C	-40°C
Weather Resistance	△	○	◎
Ozone Resistance	△	○	◎
Acid Resistance	△	○	◎
Alkali Resistance	○	◎	◎
Oil Resistance (Gasoline / Light Oil)	◎	△	△
Oil Resistance (Benzene / Toluene)	△	△	△
Surface Resistivity	-	-	10 ⁶ ~10 ⁹ Ω/sq

How to search on website



By Type Search on MISUMI official website
 E-MZ2MU

By Keyword Step 1 Search on MISUMI official website
 suction mz

Step 2 Select MISUMI economy series brand
 MISUMI MISUMI economy

MISUMI contact

Tel: 038-959200 or 1382
 Email: cs@misumi.co.th

MISUMI WEB "Chat"



Install MISUMI APP



15

Suction Cups / Vacuum Generators / Filters

Suction Cups P.1031

Vacuum Generators P.1071

Filters P.1071

Pressure Sensors P.1081

New Products

Representative model: E-MZ2MT10-N-M5

Shipping from **1 day**



207

THB

Volume Discount

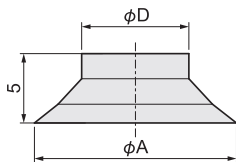
Quantity	1~9	10~14	15~
Discount	Unit Price	15%	30%



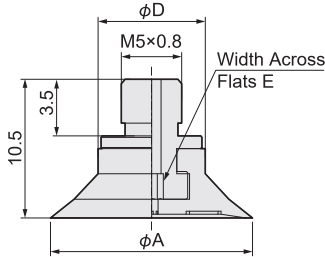
Shipping days may differ by Quantity.
Quantity of volume discount above is for representative Part No. It may differ by the Part.

Material	Surface Treatment	
Metal Part Material / Brass	Electroless Nickel Plating	
Suction Cup Material	Hardness	Color
Nitrile Rubber	Shore A60	Black
Silicon Rubber		Milky White
Conductive Silicon Rubber		Black

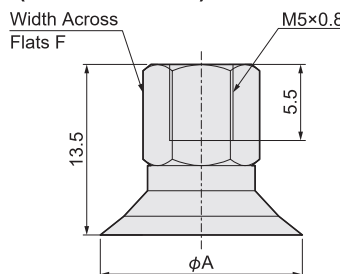
Suction Cup Units



Suction Cup with Connector (Male Thread)



Suction Cup with Connector (Female Thread)



Part Number		3 Suction Cup Material	4 Connector	A	D	E	F
1 Type	2 Cup Dia.						
E-MZ2MT	10	N (Nitrile Rubber)	- (Suction Cup Units) M5 (Male Thread) FM5 (Female Thread)	11	8.5	1.5	8
	15			16			
	20	S (Silicon Rubber)		21	13.5	2.5	14
	25	GS (Conductive Silicon Rubber)		26	15		
	30			31	18		

Ordering Example

Please order after selecting part number and parameters according to the selection steps ① to ④.

Part Number (①Type · ②Cup Dia.) - ③Suction Cup Material - ④Connector
 E-MZ2MT10 - N - M5
 E-MZ2MT10 - N - M5

Suction Cup Material Specifications

Suction Cup Material	Nitrile Rubber	Silicon Rubber	Conductive Silicon Rubber
Limit Temperature for High Temperature Use	110°C	180°C	180°C
Limit Temperature for Low Temperature Use	-30°C	-50°C	-40°C
Weather Resistance	△	○	◎
Ozone Resistance	△	◎	◎
Acid Resistance	△	○	○
Alkali Resistance	○	◎	◎
Oil Resistance (Gasoline / Light Oil)	◎	△	△
Oil Resistance (Benzene / Toluene)	△	△	△
Surface Resistivity	-	-	10 ⁶ ~10 ⁹ Ω/sq

How to search on website



By Type Search on MISUMI official website

By Keyword Step 1 Search on MISUMI official website

Step 2 Select MISUMI economy series brand
 MISUMI MISUMI economy

MISUMI contact

Tel: 038-959200 or 1382
 Email: cs@misumi.co.th

MISUMI WEB "Chat"



Install MISUMI APP



New Products

Representative model: E-MZ2MB20-N-M5



Shipping from **1 day**

215

THB

Volume Discount

Quantity	1~9	10~14	15~
Discount	Unit Price	15%	30%

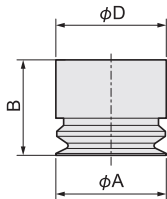


Shipping days may differ by Quantity.
Quantity of volume discount above is for representative Part No. It may differ by the Part.

Material	Surface Treatment
Metal Part Material / Brass	Electroless Nickel Plating

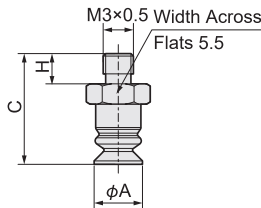
Suction Cup Material	Hardness	Color
Nitrile Rubber	Shore A60	Black
Silicon Rubber		Milky White
Conductive Silicon Rubber		Black

Suction Cup Units

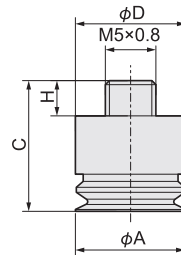


Suction Cup with Connector (Male Thread)

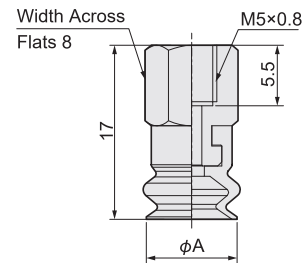
Cup Dia. 4



Cup Dia. 6~20



Suction Cup with Connector (Female Thread)



Part Number		③ Suction Cup Material	④ Connector	A	B	C	D	H
① Type	② Cup Dia.							
E-MZ2MB	4	N (Nitrile Rubber)	- (Suction Cup Units) M3 (Male Thread)	4.8	6	11	4.5	2.5
	6		- (Suction Cup Units) M5 (Male Thread)	7	9	14	8	3.5
	8	S (Silicon Rubber)	FM5 (Female Thread)	9				
	10	GS (Conductive Silicon Rubber)	- (Suction Cup Units) M5 (Male Thread)	11	9.5	13	11	
	15			16	11	14.5		
	20			21	13	19	15	6

Ordering Example

Please order after selecting part number and parameters according to the selection steps ① to ④.
Part Number (①Type · ②Cup Dia.) - ③Suction Cup Material - ④Connector
E-MZ2MB20 - N - M5
E-MZ2MB20 - N - M5

Suction Cup Material Specifications

Suction Cup Material	Nitrile Rubber	Silicon Rubber	Conductive Silicon Rubber
Limit Temperature for High Temperature Use	110°C	180°C	180°C
Limit Temperature for Low Temperature Use	-30°C	-50°C	-40°C
Weather Resistance	△	○	◎
Ozone Resistance	△	◎	◎
Acid Resistance	△	○	○
Alkali Resistance	○	◎	◎
Oil Resistance (Gasoline / Light Oil)	◎	△	△
(Benzene / Toluene)	△	△	△
Surface Resistivity	-	-	10 ⁶ ~10 ⁹ Ω/sq

How to search on website



By Type Search on MISUMI official website
E-MZ2MB

By Keyword Step 1 Search on MISUMI official website
suction mz

Step 2 Select MISUMI economy series brand
 MISUMI MISUMI economy

MISUMI contact

Tel: 038-959200 or 1382
Email: cs@misumi.co.th

MISUMI WEB "Chat"



Install MISUMI APP



15

Suction Cups / Vacuum Generators / Filters

Suction Cups

P.1031

Vacuum Generators

P.1071

Filters

P.1071

Pressure Sensors

P.1081

New Products

Representative model: E-MPVC10-3

Shipping from **1 day**



471

THB

Volume Discount

Quantity	1~3	4~5	6~
Discount	Unit Price	15%	30%



Shipping days may differ by Quantity.
Quantity of volume discount above is for representative Part No. It may differ by the Part.

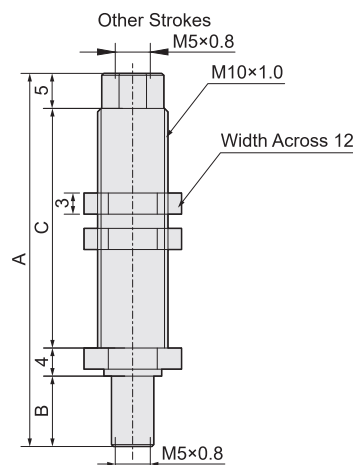
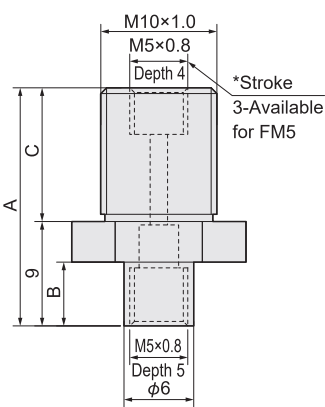
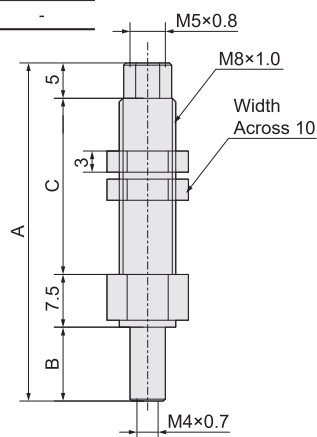
15 Suction Cups / Vacuum Generators / Filters
Suction Cups
P.1031

Cushioning Stroke	Material	Surface Treatment
3/3-FM5	Aluminum Alloy	Clear Anodized
Other	Stainless Steel	-

No.8

No.10

*Stroke 3



Vacuum Generators
P.1071
Filters
P.1071
Pressure Sensors
P.1081

Part Number	Buffer Stroke		Mounting Screw	A	B	C
	Type	No.				
E-MPVC	8	5	M8x1.0	43	5.5	25
		10		48	10.5	
		10	3	M10x1.0	16.5	5.5
	3-FM5*		20.5		5.5	11.5
	5		48		5	34
	10	53	10			
15	58	15				

Vacuum connection tube port with M5 female thread. The products need to be used in combination with suction cups.

Ordering Example

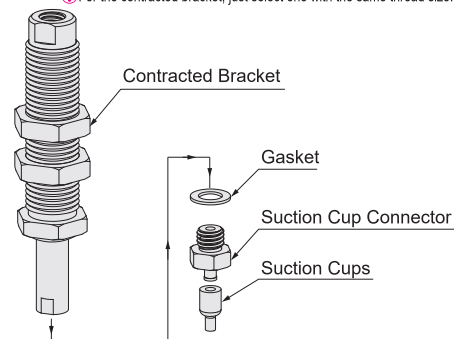
Please order after selecting part number and parameters according to the selection steps 1 to 3.
Part Number (1 Type · 2 No.) - Buffer Stroke
E-MPVC10 - 3

Specifications

Fluid Used	Filtered Compressed Air
Operating Pressure (MPa)	0.15~0.7
Rated Supply Pressure (MPa)	0.5
Operating Temperature (°C)	0~60



Structure Diagram. For the contracted bracket, just select one with the same thread size.



How to search on website



By Type Search on MISUMI official website
E-MPVC

By Keyword Step 1 Search on MISUMI official website
suction holder

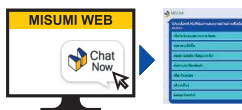
Step 2 Select MISUMI economy series brand

MISUMI economy

MISUMI contact

Tel: 038-959200 or 1382
Email: cs@misumi.co.th

MISUMI WEB "Chat"



Install MISUMI APP



New Products



Representative model: E-BAFP4

Save Up to **35%** vs Standard Type

256

THB

Shipping from **1 day**

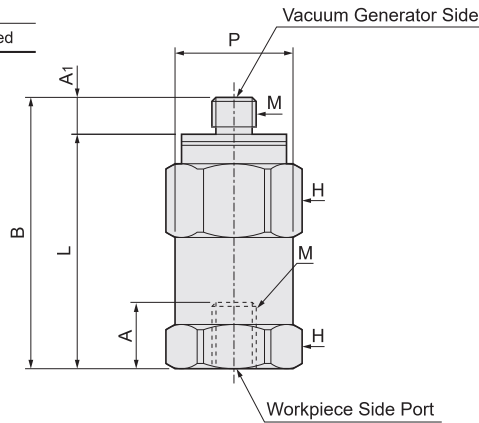
Volume Discount

Quantity	1~9	10~14	15~
Discount	Unit Price	15%	30%



Shipping days may differ by Quantity.
Quantity of volume discount above is for representative Part No. It may differ by the Part.

D	Material of Main Body	Surface Treatment
4~6	Stainless Steel	-
01	Aluminum Alloy	Clear Anodized



Part Number	Thread Size M	A1	A2	B	L	P	Width Across H	Valve Operation Suction Flow Rate (l/min(ANR))	Non-attached Vacuum Decline Level (kPa)	Effective Cross-sectional Area (mm ²)	
										Free Flow	Control Flow
E-BAFP	4	M4×0.7	3	20	17	10	10	4.2	1.3	3.14	0.07
	5	M5×0.8	5							5	
	6	M6×1.0	4	24	13	13	12	3.3	7	0.2	
	01	R1/8	6.5						7		30

Ordering Example

Please order after selecting part number and parameters according to the selection steps ① to ④.

Part Number (①Type · ②D)
E-BAFP4

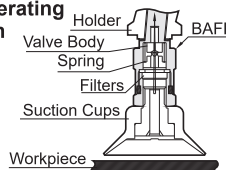
Specifications

Fluid Used	Air
Operating Pressure Range	Positive Pressure: 0~0.7MPa
	Negative Pressure: 0~-100kPa
Minimum Operating Pressure	-7kPa
Operating Temperature Range	0~60°C



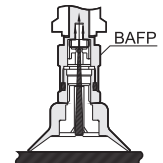
Description of Fall Prevention Valve Operation

Fall Prevention Valve Operating Condition



When a workpiece is away from the vacuum suction cup, airflow pushes up the valve and shuts the air passage. During operation, the valve sucks small amount of air through a small hole in the middle.

Workpiece Adsorption State



When a workpiece is tightly stuck to the vacuum suction cup, the suction flow is reduced and the spring inside pushes down the valve. As a result, the air passage between the valve and body opens.

How to search on website



By Type Search on MISUMI official website
E-BAFP

By Keyword Step 1 Search on MISUMI official website
prevention valve

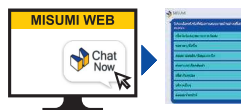
Step 2 Select MISUMI economy series brand

MISUMI MISUMI economy

MISUMI contact

Tel: 038-959200 or 1382
Email: cs@misumi.co.th

MISUMI WEB "Chat"



Install MISUMI APP



15

Suction Cups / Vacuum Generators / Filters

Suction Cups

P.1031

Vacuum Generators

P.1071

Filters

P.1071

Pressure Sensors

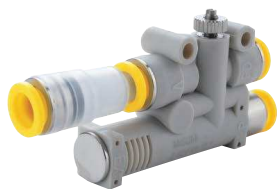
P.1081

Representative model: C-BDFK6-12.5

Save Up to **45%** vs Standard Type

Shipping from **1 day**

851 THB

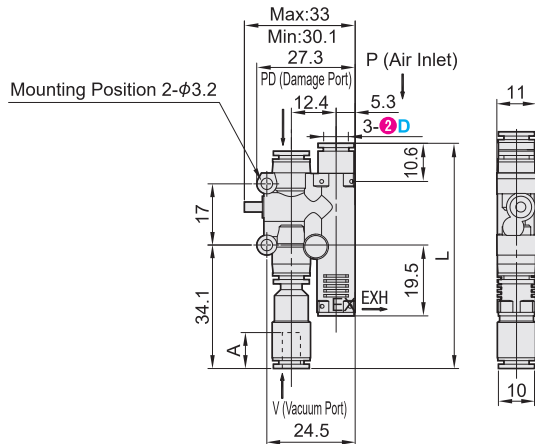


Volume Discount

Quantity	1~3	4~5	6~
Discount	Unit Price	15%	30%



Shipping days may differ by Quantity.
Quantity of volume discount above is for representative Part No. It may differ by the Part.



Part Number	Vacuum Port One-Touch Fitting Dimension 2D	Suction Flow (l/min) (ANR) Selection	Nozzle Dia. (mm)	Rated Pressure (MPa)	Ultimate Vacuum (-kPa)	Flow Consumption (l/min) (ANR)	L	A
C-BDFK	4	7	0.5	0.5	85	11.5	67	11
	6	12.5	0.7			23		

Ordering Example

Please order after selecting part number and parameters according to the selection steps ① to ③.
Part Number (①Type · ②Vacuum Port One-Touch Fitting Dimension D) - ③Suction Flow
C-BDFK6 - 12.5

15 Suction Cups / Vacuum Generators / Filters

Suction Cups P.1031

Vacuum Generators P.1071

Filters P.1071

Pressure Sensors P.1081

Representative model: C-BDFL6

Save Up to **30%** vs Standard Type

Shipping from **1 day**

108 THB

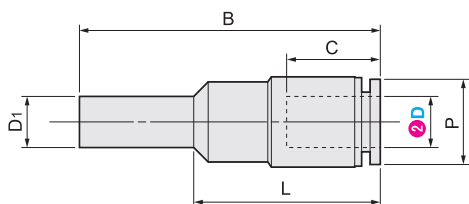


Volume Discount

Quantity	1~29	30~49	50~
Discount	Unit Price	15%	30%



Shipping days may differ by Quantity.
Quantity of volume discount above is for representative Part No. It may differ by the Part.



Part Number	Connection Tube Dia. D (mm IN Side)	Applicable Fitting Dia. D1	B	L	C	P	Filtration Area (cm ²)
C-BDFL	4	4	37	21.7	11	10	0.8
	6	6	35.5	24			1.1

Ordering Example

Please order after selecting part number and parameters according to the selection steps ① to ③.
Part Number (①Type · ②Connection Tube Dia. D)
C-BDFL6

How to search on website



By Type Search on MISUMI official website
C-BDFL

By Keyword Step 1 Search on MISUMI official website
vacuum filter

Step 2 Select MISUMI economy series brand
 MISUMI MISUMI economy

MISUMI contact

Tel: 038-959200 or 1382
Email: cs@misumi.co.th

MISUMI WEB "Chat"



Install MISUMI APP



New Products



Representative model: E-VUHK4-4-5

Save Up to **30%** vs Standard Type

433

THB

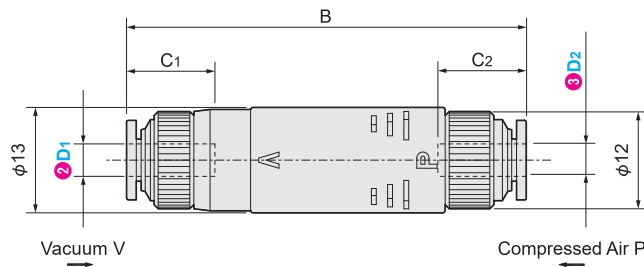
Shipping from **1 day**

Volume Discount

Quantity	1~3	4~5	6~
Discount	Unit Price	15%	30%



Shipping days may differ by Quantity.
Quantity of volume discount above is for representative Part No. It may differ by the Part.



Material: Metal Part Material / Brass
Surface Treatment: Electroless Nickel Plating

Part Number	① Type	② D1	③ D2	④ Nozzle Dia. Nominal Code	Nozzle Dia. (mm)	B	C1	C2	Vacuum Degree (-kPa)	Suction Flow (L/min(ANR))	Flow Consumption (L/min(ANR))
E-VUHK	4	4	5	0.5	59.2	11	11	90	7	11	
			7	0.7							12
	6	6	5	0.5	60.3	11.7	11.7	90	7	11	
			7	0.7							12

Ordering Example

Please order after selecting part number and parameters according to the selection steps ① to ④.

Part Number (① Type · ② D1) - ③ D2 - ④ Nozzle Dia. Nominal Code
E-VUHK4 - 4 - 5

Specifications

Fluid Used	Filtered Compressed Air
Operating Pressure (MPa)	0.15~0.7
Rated Supply Pressure (MPa)	0.5
Operating Temperature (°C)	0~60

How to search on website



By Type Search on MISUMI official website
E-VUHK

By Keyword Step 1 Search on MISUMI official website
generator mv

Step 2 Select MISUMI economy series brand

MISUMI MISUMI economy

MISUMI contact

Tel: 038-959200 or 1382
Email: cs@misumi.co.th

MISUMI WEB "Chat"



Install MISUMI APP



15

Suction Cups / Vacuum Generators / Filters

Suction Cups

P.1031

Vacuum Generators

P.1071

Filters

P.1071

Pressure Sensors

P.1081

New Products



Representative model: E-VMU5-B

Save Up to **48%** vs Standard Type

321

THB

Shipping from **1 day**

Volume Discount

Quantity	1~3	4~5	6~
Discount	Unit Price	15%	30%



Shipping days may differ by Quantity.
Quantity of volume discount above is for representative Part No. It may differ by the Part.

15 Suction Cups / Vacuum Generators / Filters

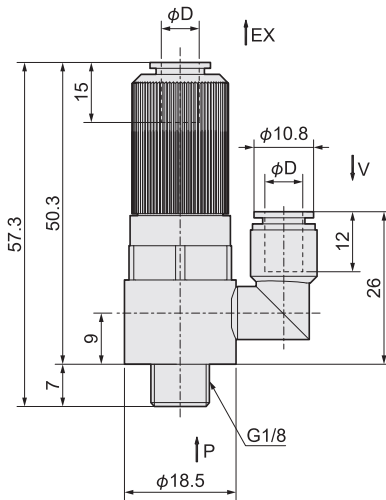
Suction Cups P.1031

Vacuum Generators P.1071

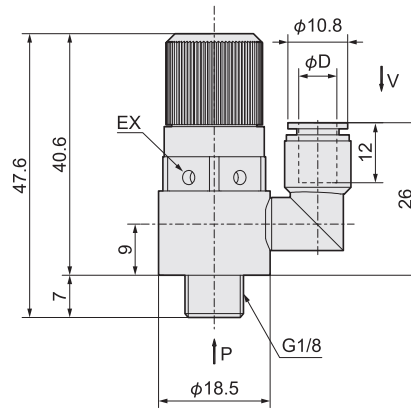
Filters

Pressure Sensors P.1081

B (Insertion Tube Exhaust)



D (Direct Exhaust)



Material: Metal Part Material / Brass
Surface Treatment: Electroless Nickel Plating

Part Number	Part Number		Exhaust Type	Tube Dimension D	Vacuum Degree (-kPa)	Suction Flow (L/min(ANR))	Flow Consumption (L/min(ANR))
	1 Type	2 No.					
E-VMU		5	B (Insertion Tube Exhaust)	6	90	7	11
		7			93	12	22
		10	D (Direct Exhaust)		93	28	45

Ordering Example

Please order after selecting part number and parameters according to the selection steps 1 to 3.

Part Number (1 Type · 2 No.) - 3 Exhaust Type
E-VMU5 - B

Specifications

Fluid Used	Filtered Compressed Air
Operating Pressure (MPa)	0.15~0.7
Rated Supply Pressure (MPa)	0.5
Operating Temperature (°C)	0~60

How to search on website



By Type Search on MISUMI official website
E-VMU

By Keyword Step 1 Search on MISUMI official website
generator mv

Step 2 Select MISUMI economy series brand
 MISUMI MISUMI economy

MISUMI contact

Tel: 038-959200 or 1382
Email: cs@misumi.co.th

MISUMI WEB "Chat"



Install MISUMI APP



New Products



Representative model: E-VUB4

Save Up to **30%** vs Standard Type

433 THB

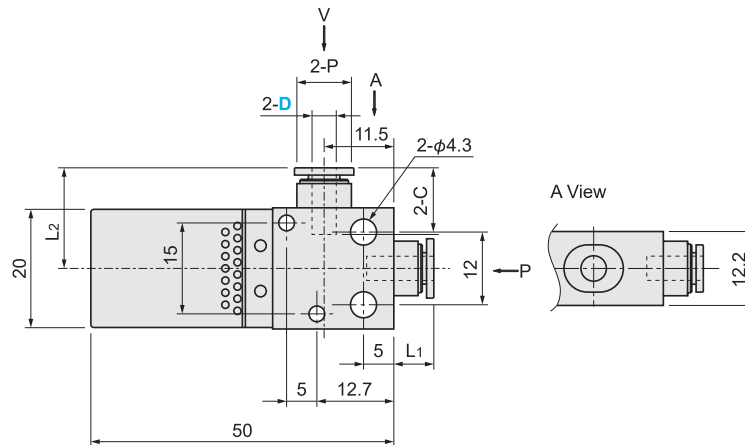
Shipping from **1 day**

Volume Discount

Quantity	1~3	4~5	6~
Discount	Unit Price	15%	30%



Shipping days may differ by Quantity.
Quantity of volume discount above is for representative Part No. It may differ by the Part.



Material: Body Material Resin
Surface Treatment: None

Part Number	Nozzle Dia. (mm)	P	C	L1	L2	Vacuum Degree (-kPa)	Suction Flow (L/min(ANR))	Flow Consumption (L/min(ANR))
1 Type	2 D							
E-VUB	4	9.7	11	8	18	88	6.5	12
	6	10.8	11.6	7.5	17.5	90	12	22

Ordering Example

Please order after selecting part number and parameters according to the selection steps 1 to 2.

Part Number (1)Type · (2)D

E-VUB4

Specifications

Fluid Used	Filtered Compressed Air
Operating Pressure (MPa)	0.15~0.7
Rated Supply Pressure (MPa)	0.5
Operating Temperature (°C)	0~60

How to search on website



By Type Search on MISUMI official website
E-VUB

By Keyword Step 1 Search on MISUMI official website
generator mv

Step 2 Select MISUMI economy series brand

MISUMI MISUMI economy

MISUMI contact

Tel: 038-959200 or 1382
Email: cs@misumi.co.th

MISUMI WEB "Chat"



Install MISUMI APP



15

Suction Cups / Filters

Suction Cups

P.1031

Vacuum Generators

P.1071

Filters

P.1071

Pressure Sensors

P.1081

Representative model: C-KZU07S

Save Up to **72%**
vs Standard Type

Shipping
from
1 day



215 THB

Volume Discount

Quantity	1~9	10~14	15~
Discount	Unit Price	15%	30%



Shipping days may differ by Quantity.
Quantity of volume discount above is for representative Part No. It may differ by the Part.

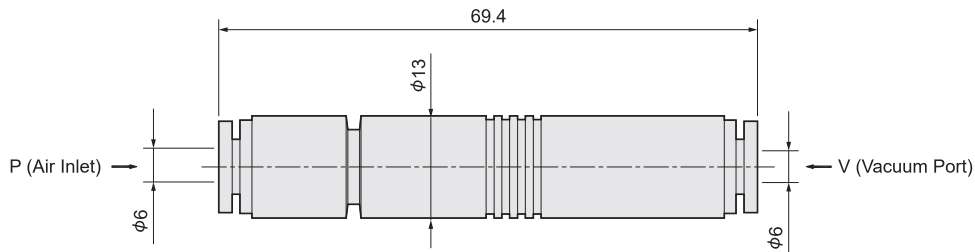
15
Suction Cups /
Vacuum Generators / Filters

Suction Cups
P.1031

Vacuum
Generators
P.1071

Filters
P.1071

Pressure
Sensors
P.1081



Part Number		Suction Flow (ℓ/min(ANR)) Selection	Nozzle Dia. (mm)	Ultimate Vacuum (-kPa)	Flow Consumption (ℓ/min(ANR))
①Type	②Nominal Model				
C-KZU	05S	7	0.5	85	11.5
	07S	10	0.7		23

Ordering
Example

Please order after selecting part number and parameters according to the selection steps ① to ②.

Part Number (①Type · ②Nominal Model)
C-KZU07S

Fluid Used	Operating Pressure Range MPa	Operating Temperature Range °C	Oiling
Compressed Air	0.4~0.7	0~60	Not Required

How to search
on website



By Type
Search on MISUMI official website
C-KZU

By Keyword
Step 1 ▶ Search on MISUMI official website
generator mz

Step 2 ▶ Select MISUMI economy series brand
 MISUMI **MISUMI economy**

MISUMI contact

Tel: 038-959200 or 1382
Email: cs@misumi.co.th

MISUMI WEB "Chat"



Install MISUMI APP



New Products



Representative model: E-MZT7S

Save Up to **53%** vs Standard Type

291

THB

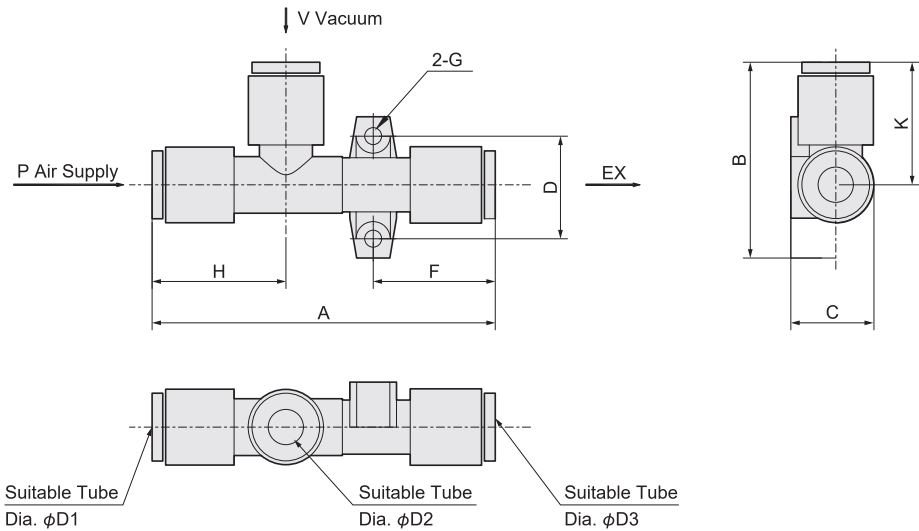
Shipping from **1 day**

Volume Discount

Quantity	1~3	4~5	6~
Discount	Unit Price	15%	30%



Shipping days may differ by Quantity.
Quantity of volume discount above is for representative Part No. It may differ by the Part.



Material: Resin
Surface Treatment: None

Part Number		Tube Dimension											Maximum Vacuum Flow (L/min)	Air Consumption Flow (L/min)
① Type	② Nominal Model	Air Supply D ₁	Vacuum D ₂	Air Exhaust D ₃	A	B	C	D	F	G	H	K		
E-MZT	7S	6	6	6	61	34	14.2	17	22	3.2	24	22	13	30
	10S			8	66	37	17.2	20	24.5	4.2	26	23		

Ordering Example

Please order after selecting part number and parameters according to the selection steps ① to ②.

Part Number (①Type · ②Nominal Model)
E-MZT7S

Specifications

Fluid Used	Filtered Compressed Air
Operating Pressure (MPa)	0.15~0.7
Rated Supply Pressure (MPa)	0.5
Operating Temperature (°C)	0~60

How to search on website



By Type Search on MISUMI official website
E-MZT

By Keyword Step 1 Search on MISUMI official website
generator mzt

Step 2 Select MISUMI economy series brand

MISUMI MISUMI economy

MISUMI contact

Tel: 038-959200 or 1382
Email: cs@misumi.co.th

MISUMI WEB "Chat"



Install MISUMI APP



15

Suction Cups / Vacuum Generators / Filters

Suction Cups

P.1031

Vacuum Generators

P.1071

Filters

P.1071

Pressure Sensors

P.1081

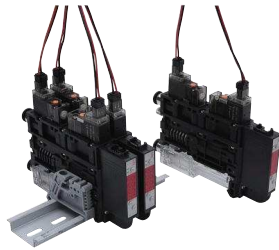
New Products

Representative model: E-MZK10-S

Save Up to **31%**
vs Standard Type

3,815 THB

Shipping from **1 day**



Volume Discount

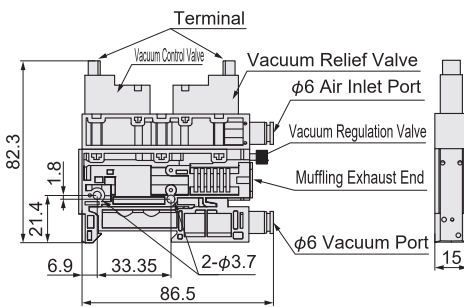
Quantity	1~3	4~5	6~
Discount	Unit Price	15%	30%



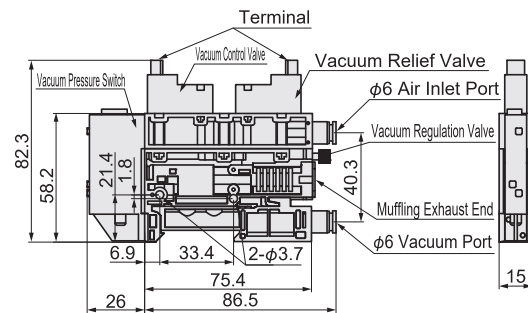
Shipping days may differ by Quantity.
Quantity of volume discount above is for representative Part No. It may differ by the Part.

Single Vacuum Valve

No.10

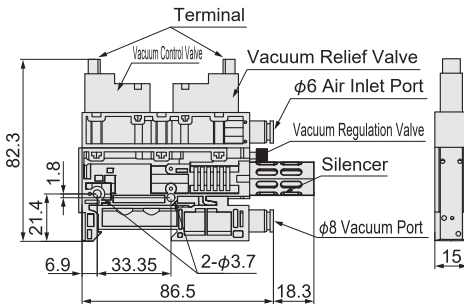


Without Pressure Switch

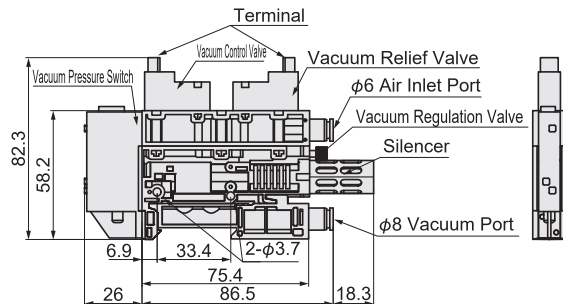


With Pressure Switch

No.15

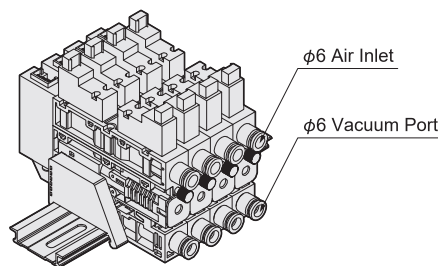
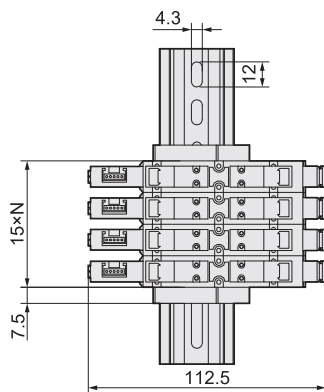


Without Pressure Switch



With Pressure Switch

Manifold Combination Type



Material: Resin
Surface Treatment: None

- 15 Suction Cups / Vacuum Generators / Filters
- Suction Cups P.1031
- Vacuum Generators P.1071
- Filters P.1071
- Pressure Sensors P.1081

How to search on website



By Type Search on MISUMI official website
E-MZK

By Keyword Step 1 Search on MISUMI official website
generator mz

Step 2 Select MISUMI economy series brand



Part Number			④ Number of Manifolds Used	Air Inlet Port	Vacuum Port	Air Consumption L/min	Vacuum Degree -kPa
① Type	② No.	③ Vacuum Pressure Switch					
E-MZK	10 (Standard)	- (Without Switch)	S (Single Item) 2F~10F (Multi-manifold)	6	6	33	90
	15 (High Flow Type)	N (NPN Output)			8	68	88

■ Specifications

Type	E-MZK	
Rated Pressure Range	-0.100~1.000MPa	
Set Pressure Range	-0.105~1.000MPa	
Withstanding Pressure	1.5MPa	
General Gas	Air, non-corrosive, non-combustible	
Pressure Unit Setting	kPa	-
	MPa	0.001
	kgf/cm ²	0.01
	bar	0.01
	psi	0.1
	inHg	-
Minimum Scale	mmHg	-
Power Voltage	12~24VDC±10%, Peak value (P-P) 10% or less	
Current Consumption	≤40mA (Without load)	
Switching Output	Output Mode	2NPN or 2PNP open collector output
	Maximum Load Current	125mA
	Power Voltage	30VDC (NPN Output), 24VDC (PNP Output)
	Internal Pressure Drop	≤1.5V
Response Time	≤2.5ms (false-operation prevention function: 25ms, 100ms, 250ms, 500ms, 1000ms and 1500ms selectable)	
Output Short Circuit Protection	Provided	
Linear Analog Output	Output Voltage	0.6~5V±2.5%F.S. (Within rated pressure range)
	Output Impedance	About 1kΩ
	Linearity	±1%F.S.
Display	3 1/2-digit LED 7-segment display (red)	
Operation Display Light	OUT1 Green/OUT2 Red	
Repetitive Motion Accuracy	About 0.2 seconds	
Display Accuracy	±2% F.S. ± 1 digit (at ambient temperature: 25+3°C)	
Repetitive Display Accuracy	±0.2%F.S. + 1 digit	
Environment Resistance	Protection Rating	IP40
	Ambient Temperature	Operation: 0~50°C, Storage: -10~60°C (no dew condensation, no freezing)
	Ambient Humidity	Operation & Storage: 35~85%RH (no dew condensation)
	Withstand Voltage	1000VAC 1 minute (between lead wire and plastic case)
	Insulation Impedance	50MΩ or more (500VDC) (between lead wire and plastic case)
	Vibration Resistance	Total amplitude 1.5mm, 10Hz-150Hz-10Hz scan for 1 minute, two hours each direction of X, Y and Z
Impact Resistance	980m/s ² (100G), 3 times each direction of X, Y and Z	
Temperature Characteristics	±2%F.S. comparison reference temperature 25°C (within the temperature range of 0~50°C)	
Wire Specifications	Oil-resistant PVC wire (0.15mm ²)	
Weight	About 55g (Including 2 meters of wire)	

■ Vacuum flow rate (L/min) for different vacuum degrees (-kPa)

Part Number	Air Supply Pressure (bar)	Air Consumption (L/min)	0	10	20	30	40	50	60	70	80	90
Standard	5	33	41.0	31.0	20.5	13.3	9.5	6.5	4.5	3.1	2.5	2.0
High Flow Type		68	68.0	55.0	43.0	27.0	15.0	8.3	5.2	4.3	2.3	-

■ Vacuum pumping time (s/L) for different vacuum degrees (-kPa)

Part Number	Air Supply Pressure (bar)	Vacuum Degree -kPa	10	20	30	40	50	60	70	80	90
Standard	5	90	0.07	0.10	0.15	0.22	0.30	0.40	0.55	0.70	0.87
High Flow Type		88	0.06	0.09	0.12	0.18	0.25	0.35	0.46	0.60	-



Please order after selecting part number and parameters according to the selection steps ① to ④.

Part Number (①Type · ②No. · ③Vacuum Pressure Switch) - ④Number of Manifolds Used
E-MZK10 - S

MISUMI contact

Tel: 038-959200 or 1382
Email: cs@misumi.co.th

MISUMI WEB "Chat"



Install MISUMI APP



15

Vacuum Generators / Filters

Suction Cups

P.1031

Vacuum Generators

P.1071

Filters

P.1071

Pressure Sensors

P.1081

New Products



Representative model: E-MKT5-B-N

Save Up to **30%** vs Standard Type

541

THB

Shipping from **1 day**

Volume Discount

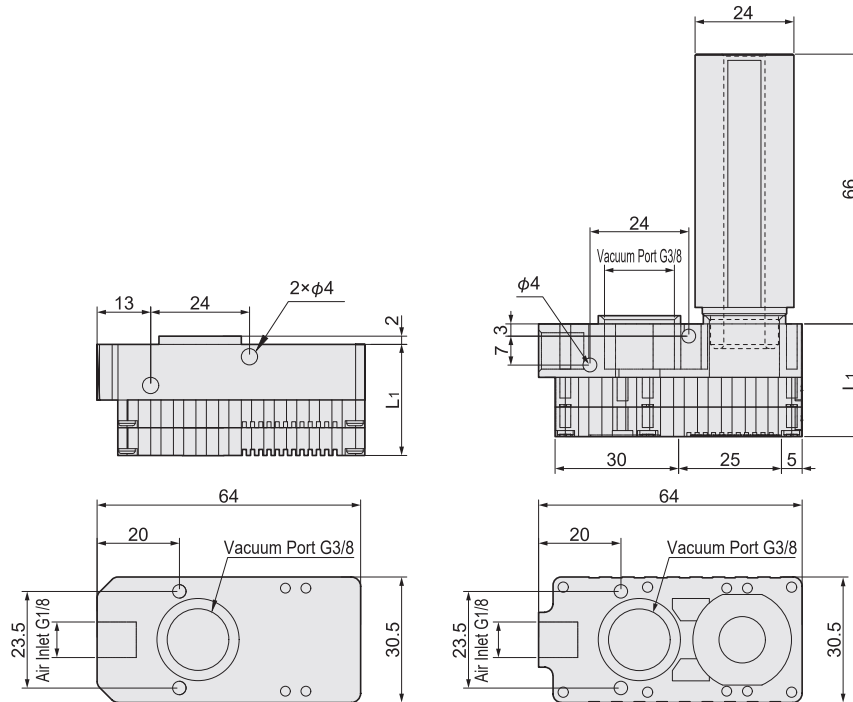
Quantity	1~3	4~5	6~
Discount	Unit Price	15%	30%



Shipping days may differ by Quantity.
Quantity of volume discount above is for representative Part No. It may differ by the Part.

B (Built-in Muffler)

C (External Muffler)



Material: Resin
Surface Treatment: None

Part Number		Muffler Type	Seal Material	L1	Vacuum Degree (-kPa)	Maximum Vacuum Flow (L/min)	Air Consumption Flow (L/min)
Type	No.						
E-MKT	5	B (Built-in Muffler)	N (Nitrile Rubber)	20.2	85	37	15~21
	10			27.4		74	30~42
	20	C (External Muffler)	V (Fluoro Rubber)	34.6		149	60~84
	30			220		90~126	

No.	Vacuum flow rate (L/min) for different vacuum degrees (-kPa)								Pumping time (S/L) for different vacuum degrees (-kPa)								
	0	10	20	30	40	50	60	70	80	10	20	30	40	50	60	70	80
5	37	26	16	14	10	8	6	2.4	0.66	0.218	0.056	1	1.576	2.356	3.44	5.27	10.216
10	74	52	31	28	20	16	12	4.8	1.32	0.109	0.25	0.5	0.788	1.178	1.72	2.635	5.158
20	149	99	62	54	40	32	22	10.5	2.7	0.054	0.139	0.25	0.394	0.589	0.86	1.317	2.579
30	220	147	92	73	60	47	32	16	4.1	0.041	0.104	0.186	0.295	0.441	0.647	0.898	1.935

Specifications

Fluid Used	Filtered Compressed Air
Operating Pressure (MPa)	0.15~0.7
Rated Supply Pressure (MPa)	0.5
Operating Temperature (°C)	0~60

Ordering Example

Please order after selecting part number and parameters according to the selection steps 1 to 4.
Part Number (1 Type · 2 No.) - **Muffler Type (3)** - **Seal Material (4)**
 E-MKT5 - B - N

How to search on website



By Type Search on MISUMI official website
 E-MKT

By Keyword Step 1 Search on MISUMI official website
 generator multi

Step 2 Select MISUMI economy series brand
 MISUMI MISUMI economy

MISUMI contact

Tel: 038-959200 or 1382
 Email: cs@misumi.co.th

MISUMI WEB "Chat"



Install MISUMI APP





Representative model: C-KUES10

Save Up to **60%** vs Standard Type

309

THB

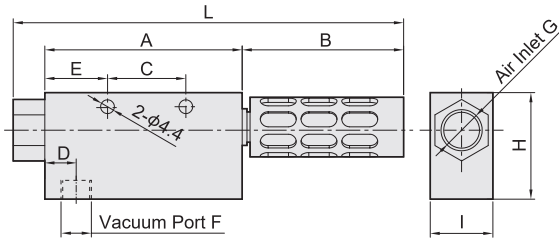


Volume Discount

Quantity	1~3	4~5	6~
Discount	Unit Price	15%	30%



Shipping days may differ by Quantity.
Quantity of volume discount above is for representative Part No. It may differ by the Part.



External Dimensions Table

Type	Suction Flow (ℓ/min(ANR) Selection)	Nozzle Dia. (mm)	Ultimate Vacuum (-kPa)	Air Consumption (L/min)	Fluid Used	Operating Pressure Range MPa	Operating Temperature Range (°C)
C-KUES10	27	1	85	44	Compressed Air	0.4~0.7	0~60
C-KUES15	63	1.5		100			

Type	A	B	C	D	E	F	L	G	H	I
C-KUES10	45	30	20	8	14	G1/8	85.2	G1/8	33	15.9
C-KUES15	63	50	25	10	20	G1/4	128.2	G1/4	34.6	19.5

Ordering Example

Type
C-KUES10



Representative model: C-KFLT6

Save Up to **45%** vs Standard Type

230

THB

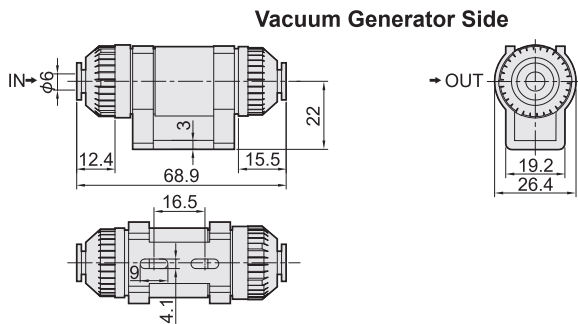


Volume Discount

Quantity	1~9	10~14	15~
Discount	Unit Price	15%	30%



Shipping days may differ by Quantity.
Quantity of volume discount above is for representative Part No. It may differ by the Part.



Part Number		Filtration Area (cm ²)	Mass (g)
1 Type	2 Connection Tube Dia.		
C-KFLT	6	7.5	26

Ordering Example

Please order after selecting part number and parameters according to the selection steps 1 to 2.
Part Number (1 Type · 2 Connection Tube Dia.)
C-KFLT6

How to search on website



By Type
Search on MISUMI official website
C-KFLT

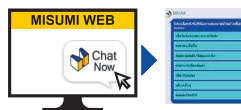
By Keyword
Step 1 Search on MISUMI official website
vacuum filter

Step 2 Select MISUMI economy series brand
 MISUMI MISUMI economy

MISUMI contact

Tel: 038-959200 or 1382
Email: cs@misumi.co.th

MISUMI WEB "Chat"



Install MISUMI APP



15

Suction Cups / Vacuum Generators / Filters

Suction Cups

P.1031

Vacuum Generators

P.1071

Filters

P.1071

Pressure Sensors

P.1081

New Products



Representative model: E-MKP-M-N-P

Save Up to **43%**
vs Standard Type

1,004 THB

Shipping from **1 day**

Volume Discount

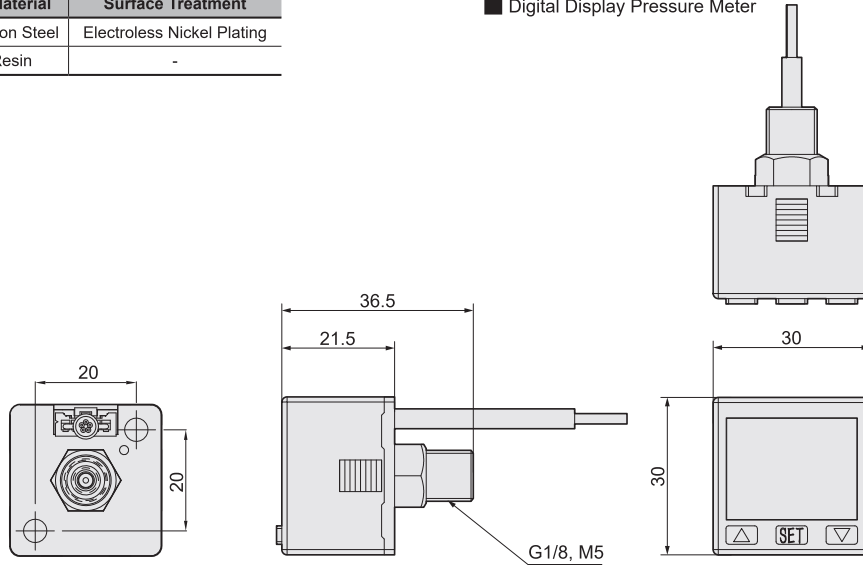
Quantity	1~3	4~5	6~
Discount	Unit Price	15%	30%

CAD 2D 3D

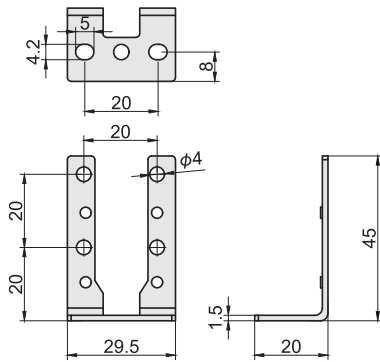
Shipping days may differ by Quantity.
Quantity of volume discount above is for representative Part No. It may differ by the Part.

Part	M Material	Surface Treatment
Bracket	Carbon Steel	Electroless Nickel Plating
Housing	Resin	-

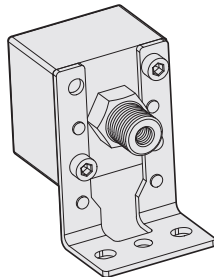
■ Digital Display Pressure Meter



■ Bracket Mounting Accessories (L)



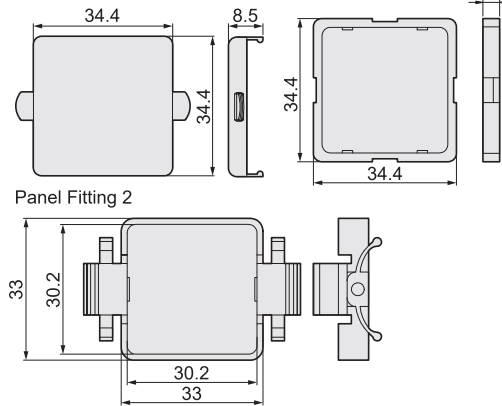
Bracket Mounting Type



■ Panel Mounting Accessories (P)

Front Protective Cover

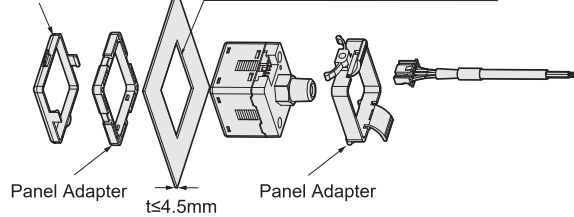
Panel Fitting 1



Panel Mounting Type

Front Protective Cover

Opening Dimension 31×31⁺⁰_{-0.4}mm



Panel Adapter

Panel Adapter

15

Suction Cups /
Vacuum Generators / Filters

Suction Cups

P.1031

Vacuum
Generators

P.1071

Filters

P.1071

Pressure
Sensors

P.1081

How to search on website



By Type

Search on MISUMI official website

E-MKP



By Keyword

Step 1 Search on MISUMI official website

pressure gauge



Step 2 Select MISUMI economy series brand

MISUMI



MISUMI economy

① Type	② Rated Pressure Range	③ Output Form	④ Mounting Method
E-MKP	M (Positive Pressure-0.1MPa~1MPa) V (Negative Pressure-100kPa~0kPa)	N (2NPN Output+Analog Voltage Output) P (2PNP Output+Analog Voltage Output)	P (Panel) L (Bracket)

Specifications

Type	Positive Pressure Type (M)	Negative Pressure Type (V)
Rated Pressure Range	0~1.0MPa	-100~0kPa
Set Pressure Range	-0.1~1.0MPa	-101.3~+10kPa
Withstanding Pressure	1.5MPa	300kPa
Gas Used	Air, non-corrosive, non-combustible gas	
Pressure Unit Setting Minimum Scale	kPa	-
	MPa	0.001
	kgf/cm ²	0.01
	bar	0.01
	psi	0.1
	inHg	-
	mmHg	-
Power Voltage	DC12V~24V ±10%, continuous peak value 10% or less	
Current Consumption	≤40mA or less (Without load)	
Sensor Output	<NPN Output Type> NPN Open Collector Transistor • Maximum Inflow Current: 125mA • Maximum Supply Voltage: 30V DC • Internal Voltage Drop: 1.5V or less	<PNP Output Type> PNP Open Collector Transistor • Maximum Source Current: 125mA • Maximum Supply Voltage: 24V DC • Internal Voltage Drop: 1.5V or less
Repetition Accuracy	±0.2% F.S. ±1 digit or less	
Response Time	≤2.5ms (false-operation prevention function: 25ms, 100ms, 250ms, 500ms, 1000ms, 1500ms selectable)	
Output Short Circuit Protection	Provided	
Display	3 colors (red/green/orange) display (sampling rate: 5 times/second)	
Display Accuracy	±2% F.S. ±1 digit (at ambient temperature: 25±3°C)	
Operation Display Light	Orange (1&2 indicator) OUT1 OUT2	
Analog Output (Voltage Output)	Output Voltage	1~5V ±2.5% F.S. (Within rated pressure range)
	Linearity	±1% F.S.
	Output Impedance	About 1kΩ
Environment Resistance	Protection Rating	IP 40
	Ambient Temperature	Operation: 0~50°C, Storage: -10~60°C (no dew condensation, no freezing)
	Ambient Humidity	Operation & Storage: 35~85%RH (no dew condensation)
	Withstand Voltage	1000V AC 1 minute (between lead wire and plastic case)
	Insulation Impedance	50MΩ or more (500V DC) (between lead wire and plastic case)
Temperature Characteristics	±2.5% F.S. comparison reference temperature 25°C (within the temperature range of 0~50°C)	
Wire Specifications	Oil-resistant PVC wire (0.15mm ²)	



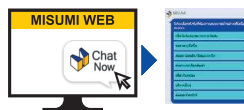
Please order after selecting part number and parameters according to the selection steps ① to ④.

Part Number (①Type) - ②Rated Pressure Range - ③Output Form - ④Mounting Method
 E-MKP - M - N - P

MISUMI contact

Tel: 038-959200 or 1382
 Email: cs@misumi.co.th

MISUMI WEB "Chat"



Install MISUMI APP



15

Suction Cups /
Vacuum Generators / Filters

Suction Cups

P.1031

Vacuum
Generators

P.1071

Filters

P.1071

Pressure
Sensors

P.1081