

Air Cylinders / Valves / Regulators / Shock Absorbers / O-Rings

Cylinders

P.951

New Products

MCQ Series



Compact Cylinder MCQ Series
P.955~P.956

New Products

MSD Series



Compact Cylinder MSD Series
P.957~P.958

New Products

MGC Series



Guide Rod Compact Cylinders MGC Series
P.959~P.960

New Products

MTN Series



Dual Rod Cylinders MTN Series
P.961~P.962

New Products

MXS Series



Dual Rod Cylinders
MXS Series
P.963~P.964

New Products

MCC Series



Standard Cylinder
MCC Series
P.965~P.966

New Products

MCE Series



Standard Cylinder MCE
Series, ISO15552
P.967~P.968

New Products

MCPA Series



Pen Cylinders Stainless
Steel, MCPA Series
P.969~P.970

New Products

MCPAL Series



Pen Cylinders Aluminum,
MCPAL Series
P.971~P.972

New Products

MCPF Series



Pen Cylinder Stainless
Steel, MCPF Series
P.973~P.974

New Products

MCPI Series



Pen Cylinders Stainless Steel,
MCPI Series, ISO6432 Certified
P.975~P.976

New Products

MCPB Series



Small Bore Pen Cylinders
Stainless Steel, MCPB Series
P.977~P.978

New Products

MCPE Series



Small Bore Pen Cylinders,
MCPE Series
P.979

New Products

MCPG Series



Small Bore Pen Cylinders
Aluminum, MCPG Series
P.980

Cylinder Accessories

P.981

New Products



Cylinder Support Brackets
for Foot Mount
P.981~P.982

New Products



Mounting Flange for
Cylinder
P.983~P.984

New Products



Single Clevis for Cylinder
P.985

New Products



Double Clevis for Cylinder
P.986

New Products



Trunnion Brackets /
Brackets for Cylinder
P.987~P.988

New Products



Clevis Brackets for Cylinder
P.989

New Products



Magnetic Switches and
Accessories for Cylinders
P.990

Shock Absorbers

P.991

+ New Specs



Shock Absorbers, Preset (Fixed) Damping Type
P.991~P.992

+ New Specs



Shock Absorbers, Adjustable Damping
P.993~P.994



Shock Absorbers, Two-Way Type
P.995

+ New Specs



Shock Absorbers, Heavy Load Absorption Type
P.996

+ New Specs



Shock Absorbers, Preset (Fixed) Damping, Two-Stage Absorption Type
P.997



How to Mount Stopper Screws
P.998

Rod End Bearings

P.999



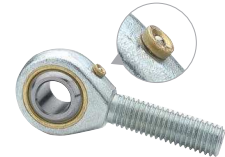
Lubrication Free, Tapped
P.999



Lubrication Free, Threaded
P.1000



Oil Lubrication, Tapped
P.1001



Oil Lubrication, Threaded
P.1002

Joints

P.1003

New Products



Knuckle Joints for Cylinders
Single / Double
P.1003

Floating Joints

P.1004

New Products



Floating Joints Screw Mount Type
P.1004



Floating Joints Quick Connection Type With Holder
P.1005



Floating Joints Tapped
P.1005

Silencers

P.1006



Silencer Sintered Copper, Standard
P.1006



Silencer Sintered Copper, Short
P.1006

Air Cylinders / Valves / Regulators / Shock Absorbers / O-Rings

**Control Valves
and Accessories**

P.1007



Solenoid Valves 5 Ports
P.1007~P.1008



Solenoid Valves 3 Ports
P.1009~P.1010



Manifold Block For 5 Port
Solenoid Valves
P.1011



Manifold Block For 3 Port
Solenoid Valves
P.1011



Hand Switching Valves
With Toggle Grip
P.1012



Hand Switching Valves
With Pull Knob
P.1013



Hand Switching Valves
With Lever
P.1014

**Regulators /
Lubricators**

P.1015

**New
Products**



Air Filter Regulators
P.1015~P.1016

**New
Products**



Air Modular F.R.L. Units,
3 Pcs
P.1017~P.1018

**New
Products**



Air Modular F.R.L. Units,
2 Pcs
P.1019~P.1020

**New
Products**



Compact Regulators
P.1021~P.1022

**New
Products**



Air Filters For Positive and
Negative Pressure
P.1023~P.1024

**New
Products**



Lubricators
P.1025~P.1026

O-Rings

P.1027



O-Rings
P.1027~P.1028

Recommended Best Seller Pneumatic Products

- Varies specifications commonly used in the market and pneumatic components can be purchased in complete sets which are save time and effort.
- MISUMI quality assurance.

01 Standard Cylinders P.967



Cylinder I.D.: 32mm
Stroke: 100mm
E-MCES32-100-NB-NR-NS

1,010
THB/pcs

Quantity	Unit price	Total price
1	1,010	1,010
4	873	3,492

02 Pen Cylinders P.973



Cylinder I.D.: 20mm
Stroke: 100mm
Cylinder End Type: Single Clevis
E-MCPFS20-100-BB-NB-NR-NS

536
THB/pcs

Quantity	Unit price	Total price
1	536	536
4	456	1,824

03 Solenoid Valves 5 Ports P.1007



Specifications: 200 Series
Coil + Switching Type: Single Coil/2-Position Exhaust
Voltage: DC24V
Piping Thread Nominal Diameter: 1/4
E-SP4V210-02-B

332
THB/pcs

Quantity	Unit price	Total price
1	332	332
4	282	1,128

04 Solenoid Valves 3 Ports P.1009



Specifications: 200 Series
Coil + Switching Type: Single Coil/2-Position Exhaust
Voltage: DC24V
Piping Thread Nominal Diameter: 1/4
E-SP3V210-02-NC-B

356
THB/pcs

Quantity	Unit price	Total price
1	356	356
4	302	1,208

05 Filtering Regulators P.1015



Type: Small
Supply Side Connection Dimension: 1/8
Control Side Connection Dimension: 1/8
E-MFR1-1-G

353
THB/pcs

Quantity	Unit price	Total price
1	353	353
4	301	1,204

06 Shock Absorbers, Preset (Fixed) Damping Type P.991



Mounting Screw Nominal: 8
Stroke: 6mm
Collision Velocity Type: M
Cap: Provided
C-AC0806M

388
THB/pcs

Quantity	Unit price	Total price
1	388	388
4	330	1,320

* All products prices are without tax. For prices reference, please visit MISUMI official website.

* The reference price is estimated based on the quantity or approximate length of the product used in the example, and is not calculated as a starting price.

Pick & Place Units with Adsorption Head

Application Industries: **Automotive part** **Medical** **Electronic & Electrical**

This figure shows a device mainly used to manually control the stroke, and perform multi-point positioning, adsorption and fixation of workpieces.

The device is equipped with a manual reversing valve, which is convenient for controlling the transmission time.

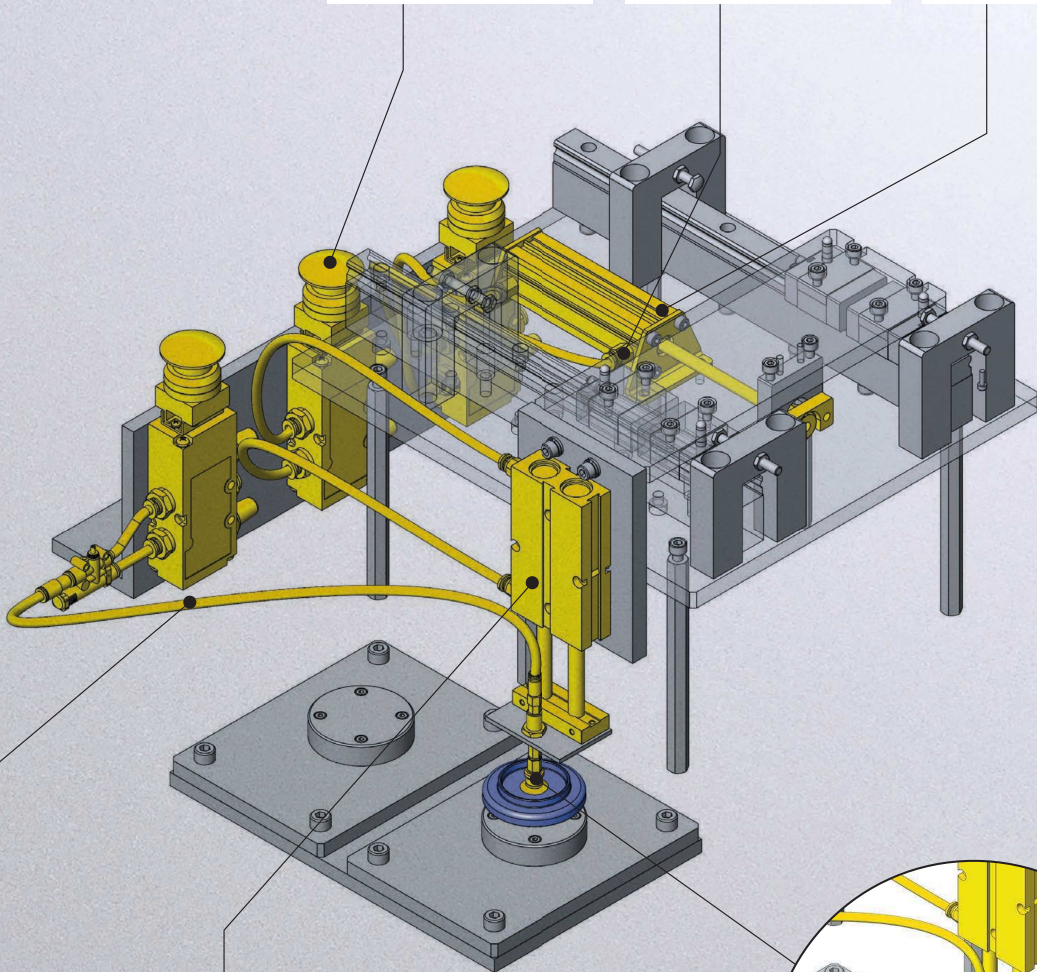
01 Hand Valve × 3



02 One-Touch Fitting × 13



03 Compact Cylinder × 1



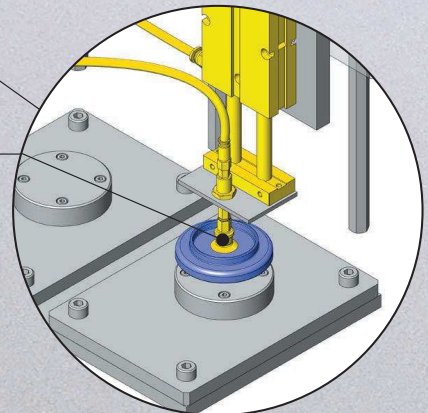
06 Tube × 1



04 Dual Rod Cylinder × 1



05 Suction cup × 1



01 Hand Valve × 3 P.1013



Specifications 200 Series
Piping Thread Nominal Diameter G1/8
Accessories - Silencer Not Provided
E-MVP210-01

325
THB/pcs

Quantity	Unit price	Total price
1	325	325
4	276	1,104

02 One-Touch Fitting × 13 P.1089



Applicable tube O.D. 6mm
Connecting thread nominal 1(R1/8)
PACK-MEPC6-1

749
THB/pack

Quantity	Unit price	Total price
1	749	749
4	637	2,548

03 Compact Cylinder × 1 P.957



Cylinder Dia.: 20mm
Stroke: 100mm
E-MSDNS20-100-NR-NS

402
THB/pcs

Quantity	Unit price	Total price
1	402	402
10	363	3,630

04 Dual Rod Cylinder × 1 P.961



Cylinder Dia.: 20mm
Stroke: 50mm
E-MTN20-50-NS

750
THB/pcs

Quantity	Unit price	Total price
1	750	750
4	638	2,552

05 Suction Cup × 1 P.1053



Suction cup shape Flat
Rubber material Nitrile rubber
O.D. 6mm
E-MZU6-N-M5

155
THB/pcs

Quantity	Unit price	Total price
1	155	155
10	132	1,320

06 Tube × 1 P.1157



Color Black
O.D. 6mm
Length 200m
MET6-200-B

2,472
THB/roll

Quantity	Unit price	Total price
1	2,472	2,472
4	2,102	8,408

* All products prices are without tax. For prices reference, please visit MISUMI official website.

* The reference price is estimated based on the quantity or approximate length of the product used in the example, and is not calculated as a starting price.

Economy series Air Cylinders newly launched

New Products

vs Standard Type

Saving up to

82%

Highly universal, widely applicable to 3C industries such as electronics and mobile phones!
Replacements for generic specifications on the market



14

Air Cylinders / Valves / Regulators / Shock Absorbers / O-Rings

Cylinders and Accessories

P.951

Shock Absorber

P.991

Rod End Bearings

P.999

Floating Joint

P.1004

Silencer

P.1006

Control Valves and Accessories

P.1007

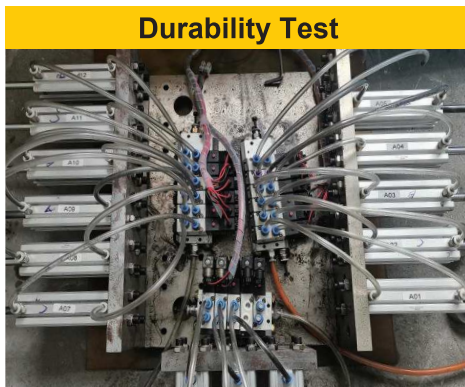
Air Source Handling

P.1015

O-Rings

P.1027

Features 1 Excellent sealing performance and passed durability test and quality comparable to products from Taiwan and China



Durability Test

Test conditions:
Speed of 200mm/s, shaft rod longitudinal load of 5N



Three features of economic product quality assurance

Schematic diagram for coaxiality measurement

1. Adopting customized special seals, wear-resistant, and long service life
2. The piston rod and piston adopt riveting process to improve coaxial accuracy, reduce wear, and improve service life
3. The entire product has undergone air tightness test to ensure no leakage

Generic products on the market * **MISUMI Economy series**

Leaking **VS** Normal

Generic products on the market * **MISUMI Economy series**

Low coaxiality and fast wear **VS** High coaxiality and less prone to wear and tear

* Generic products on the market are similar products randomly purchased by our company from online or offline markets

Features 2 Products with high market availability and the most commonly used specifications have short delivery times.

Cylinder Type	Sales Range (mm)	Short Delivery Range (mm)	Stock SKU
Compact Cylinders	Cylinder Dia. 12-100 Stroke 5-100	Cylinder Dia. 16-50 Stroke 5-50	Refer to MISUMI Official website
Dual Rod Cylinders	Cylinder Dia. 6-32 Stroke 10-200	Cylinder Dia. 6-32 Stroke 10-70	
Standard Cylinders	Cylinder Dia. 32-100 Stroke 25-1000	Cylinder Dia. 32-63 Stroke 25-250	
Pen Cylinders	Cylinder Dia. 4-63 Stroke 5-500	Cylinder Dia. 16-32 Stroke 5-250	

* The actual shipping date shall be subject to the date shown in the WEB quotation!
* The commonly used specs have relatively short delivery times.

All accessories required for the cylinder are available

Convenient selection and improved efficiency!



Features 1 Convenient selection. Select one model of cylinder and special accessories are provided.

One-stop supply of related accessories with cylinders.

Selection and Ordering Example	Cylinder	Bracket	Rod End Joint	Magnetic Switch
Products				
Order model				
Cylinder (Without Accessories)	E-MCQBS32-50	-NB	-NJ	-NS
Cylinder + Bracket	E-MCQBC32-50	-FR	-NJ	-NS
Cylinder + Magnetic Switch (2 pcs)	E-MCQBS32-50	-NB	-NJ	-DGM2
Cylinder + Rod End Joint, Magnetic Switch (2 pcs)	E-MCQBS32-50	-NB	-FJ	-DGM2
Cylinder + Bracket, Rod End Joint, Magnetic Switch (2 pcs)	E-MCQBS32-50	-FB	-FJ	-DGM2

* Please refer to the product page for specific ordering methods

Features 2 Cylinder related products are provided simultaneously to meet various design needs!

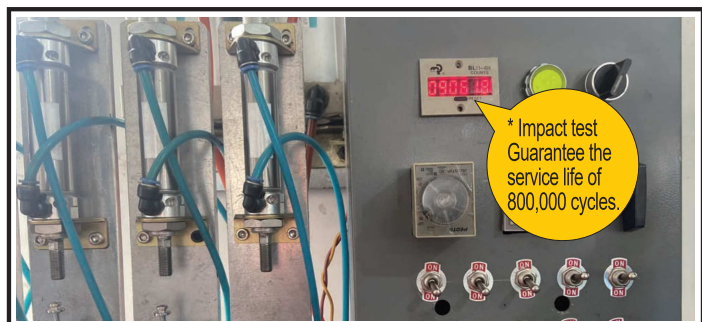
For various application scenarios, shock absorbers, floating joints, rod end bearings, etc. can be designed and used separately

Representative Product **800,000** cycles of life test
Shock Absorber Fully ensured product quality

Product Type	Service life
MISUMI Economy series	800,000 cycles
Generic products on the market *	Less than 300,000 cycles

* Generic products on the market are similar products randomly purchased by our company from online or offline markets

* The test data are obtained through testing by our company, which are for reference only



Multiple types and different characteristics, meeting the needs of various application scenarios in different industries

Fixed Type	Two-stage type	Adjusting Type	Heavy Load	Two-Way Type
Soft cushioning stroke	A high cushioning area at the end of the stroke prevents damage from bottom bumps	Impact force can be adjusted from time to time according to demand	Special double inner cylinder combination mechanism to absorb high energy shock loads	Dual-stroke structure, reducing installation space

Economy series Valve

Used in combination with the cylinder to achieve one-time procurement!



14

Air Cylinders / Valves / Regulators / Shock Absorbers / O-Rings

Cylinders and Accessories
P.951

Features 1 Passed durability test and quality comparable to products from Taiwan and China

Durability Test

20 million cycles of life test



Generic products on the market *	MISUMI Economy series
Leaking from 6 million cycles	OK

Internal decomposition comparison after test

Generic products on the market*

MISUMI Economy series



Seal: Powdered resulting in air leakage



Seal: High abrasion resistance and high precision



Spring: Completely broken



Spring: High abrasion resistance and stable performance

* Generic products on the market are similar products randomly purchased by our company from online or offline markets
* The test data are obtained through testing by our company, which are for reference only

Shock Absorber

P.991

Rod End Bearings

P.999

Floating Joint

P.1004

Silencer

P.1006

Control Valves and Accessories

P.1007

Air Source Handling

P.1015

O-Rings

P.1027

Features 2 Frequently used products are also available for more efficient selection

More efficient pneumatic circuit design



Valve Seat

Assist in on-site noise reduction



Silencer

3 commonly used manual valves, contributing to easy on-site design



Hand Switching Valves



With Pull Knob



With Lever

Economy series Regulators newly launched!

Widely applicable to
3C industries!



Features 1 Reliable quality, passing durability test, ensuring stability and durability!

Durability Test

Test conditions: pressure 1Mpa, frequency: 3 cycles/s



Generic products on the market 1	Test frequency: 6000 times	Test result: Air leakage
Generic products on the market 2	Test frequency: 6000 times	Test result: Air leakage
MISUMI Economy series	Test frequency: 20000 times	Test result: OK

Internal decomposition comparison after test

Generic products on the market*

MISUMI Economy series



Damage and air leakage



No damage, good

MISUMI exclusive patented piston mechanism
(patent number: 202222998033.2)

* Generic products on the market are similar products randomly purchased by our company from online or offline markets.
* The test data are obtained through testing by our company, which are for reference only

Features 2 Provide 3 Pcs, 2 Pcs, and single piece simultaneously, taking into account design and replacement needs

Filtering Regulators



FRL 2 Pcs



Regulators



FRL 3 Pcs



Filter



Lubricators



14

Air Cylinders / Valves / Regulators /
Shock Absorbers / O-Rings

Cylinders and
Accessories
P.951

Shock
Absorber

P.991

Rod End
Bearings

P.999

Floating Joint

P.1004

Silencer

P.1006

Control Valves
and Accessories

P.1007

Air Source
Handling

P.1015

O-Rings

P.1027

New Products

Representative model: E-MCQNS16-5-NB-NR-NS

Save Up to **77%** vs Standard Type

Shipping from **1 day**



270 THB

Volume Discount

Quantity	1~9	10~14	15~
Discount	Unit Price	15%	30%



Shipping days may differ by Quantity.
Quantity of volume discount above is for representative Part No. It may differ by the Part.

14 Air Cylinders / Valves / Regulators / Shock Absorbers / O-Rings

Cylinders and Accessories P.951

Shock Absorber

P.991

Rod End Bearings

P.999

Floating Joint

P.1004

Silencer

P.1006

Control Valves and Accessories

P.1007

Air Source Handling

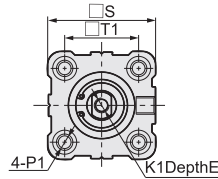
P.1015

O-Rings

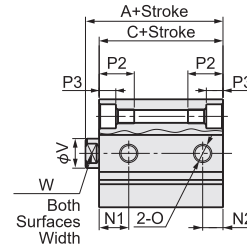
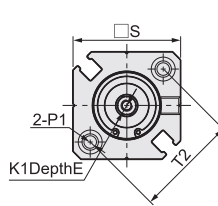
P.1027

Cylinder I.D. 12~16

Without Magnetic Ring (None)

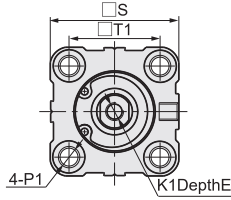


With Magnetic Ring (S)

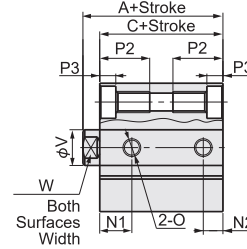
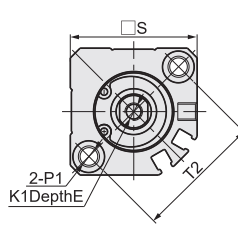


Cylinder I.D. 20~25

Without Magnetic Ring (None)

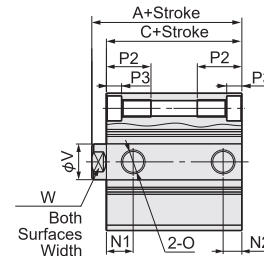
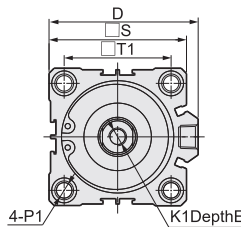


With Magnetic Ring (S)



Cylinder I.D. 32~100

Without/With Magnetic Ring



Material: Cylinder Block Material Aluminum Alloy
Surface Treatment: Clear Anodized

Part Number		③ Stroke (mm)	④ Fixing Method*1	⑤ Rod End Joint*2	Magnetic Switch*3	
① Type	② Cylinder I.D. (mm)				⑥ Type	⑦ Quantity
E-MCQN (Female Threaded Without Magnetic Ring)	12	5 10 15 20 25 30 35 40 45 50	NB (Without Bracket) FB (Foot Bracket) FR (Flange) DC (Double Clevis Bracket)	NR (Without Joint) SJ (Single Clevis Joint) DJ (Double Clevis Joint) FJ (Floating Joint)	NS (Without Magnetic Switch) CGM (Reed Magnetic Switch) DGM (Electronic Magnetic Switch - 2-Wire Type) DGN (Electronic Magnetic Switch - 3-Wire NPN Type) DGP (Electronic Magnetic Switch - 3-Wire PNP Type)	(With NS Type, no need to specify Qty) 1 2
	16	5 10 15 20 25 30 35 40 45 50 55 60				
	20					
E-MCQB (Male Threaded Without Magnetic Ring)	25					
	32					
E-MCQNS (Female Threaded With Magnetic Ring)	40	5 10 15 20 25 30 35 40 45 50 55 60				
	50	70 75 80 90 100				
	63					
E-MCQBS (Male Threaded With Magnetic Ring)	80					
	100					

(*1) References for fixing accessories: FB (Foot Bracket) P.981, FR (Flange) P.983, DC (Double Clevis Bracket) P.986
 (*2) For rod end joint, refer to P.1003~P.1004. Rod end joint is not available for tapped shaft rod.
 (*3) Magnetic switch is not available for cylinder without magnetic ring. The magnetic switch has a 2-meter long wire. Refer to P.990.

Ordering Example

Please order after selecting part number and parameters according to the selection steps ① to ⑦.

Part Number (①Type · ②Cylinder I.D.) - ③Stroke - ④Fixing Method - ⑤Rod End Joint - ⑥Type · ⑦Quantity
 E-MCQNS16 - 5 - NB - NR - NS

How to search on website



By Type: Search on MISUMI official website
 E-MCQNS

By Keyword: Step 1 Search on MISUMI official website
 compact cylinder

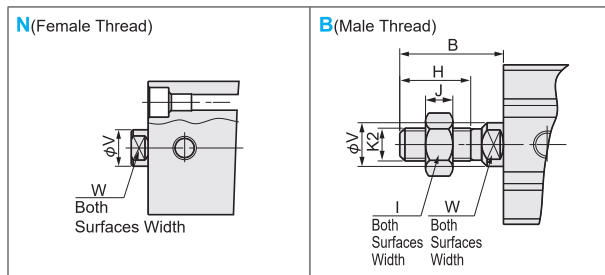
Step 2 Select MISUMI economy series brand



External Dimensions Table

Cylinder I.D. (mm)	Without Magnet				With Magnet		D	E	K1	Without Magnet				With Magnet		O	P1		P2	P3	S	T1	T2
	A		C		A	C				N1		N2		N1	N2		Thread	Through Hole					
	Stroke≤50	Stroke≥60	Stroke≤50	Stroke≥60						Stroke=5	Stroke>5	Stroke=5	Stroke>5										
12	20.5	-	17	-	31.5	28	-	6	M 3	7.5	5	9	7	M5	M 4	3.4	11	3.5	25	15.5	22		
16	22	-	18.5	-	34	30.5	-	8	M 4	8	5.5	9.5	5.5	M5	M 4	3.4	11	3.5	29	20	28		
20	24	34	19.5	29.5	36	31.5	-	7	M 5	9	5.5	9.5	5.5	M5	M 6	5.2	17	7	36	25.5	36		
25	27.5	37.5	22.5	32.5	37.5	32.5	-	12	M 6	11	5.5	11	5.5	M5	M 6	5.2	17	7	40	28	40		
32	30	40	23	33	40	33	49.5	13	M 8	7.5	10.5	6.5	7.5	10.5	7.5	G1/8	M 6	5.2	17	7	45	34	-
40	36.5	46.5	29.5	39.5	46.5	39.5	57	13	M 8	11	8	11	8	G1/8	M 6	5.2	17	7	53	40	-		
50	38.5	48.5	30.5	40.5	48.5	40.5	71	15	M10	9	10.5	9	10.5	10.5	10.5	G1/4	M 8	6.5	22	8	64	50	-
63	44	54	36	46	54	46	84	15	M10	14	15	9.5	10.5	15	10.5	G1/4	M10	8.7	28.5	10.5	77	60	-
80	53.5	63.5	43.5	53.5	63.5	53.5	104	20	M16	16	14	16	14	G3/8	M12	10.7	35.5	13.5	98	77	-		
100	65	75	53	63	75	63	123.5	26	M20	20	17.5	20	17.5	G3/8	M12	10.7	35.5	13.5	117	94	-		

Piston Rod Tip Shape



Male Thread External Dimensions Table

Cylinder I.D. (mm)	B	H	I	J	K2	V	W
12	14	9	8	4	M 5×0.8	6	5
16	15.5	10	10	5	M 6×1.0	8	6
20	18.5	12	12	6	M 8×1.25	10	8
25	22.5	15	17	6	M10×1.25	12	10
32	28.5	20.5	19	8	M14×1.5	16	14
40	28.5	20.5	19	8	M14×1.5	16	14
50	33.5	26	27	11	M18×1.5	20	17
63	33.5	26	27	11	M18×1.5	20	17
80	43.5	32.5	32	13	M22×1.5	25	22
100	43.5	32.5	36	13	M26×1.5	32	27

Cylinder Theoretical Output Force Table

Cylinder I.D. (mm)	Operating Type	Compression area (mm ²)	Air pressure (MPa)						
			0.1	0.2	0.3	0.4	0.5	0.6	0.7
12	Push	113.1	11.3	22.6	33.9	45.2	56.5	67.9	79.2
	Pull	84.8	8.5	17.0	25.4	33.9	42.4	50.9	59.4
16	Push	201.1	20.1	40.2	60.3	80.4	100.5	120.6	140.7
	Pull	150.8	15.1	30.2	45.2	60.3	75.4	90.5	105.6
20	Push	314.2	31.4	62.8	94.2	125.7	157.1	188.5	219.9
	Pull	235.6	23.6	47.1	70.7	94.2	117.8	141.4	164.9
25	Push	490.9	49.1	98.2	147.3	196.3	245.4	294.5	343.6
	Pull	377.8	37.8	75.6	113.3	151.1	188.9	226.7	264.4
32	Push	804.2	80.4	160.8	241.3	321.7	402.1	482.5	563.0
	Pull	603.2	60.3	120.6	181.0	241.3	301.6	361.9	422.2
40	Push	1256.6	125.7	251.3	377.0	502.7	628.3	754.0	879.6
	Pull	1055.6	105.6	211.1	316.7	422.2	527.8	633.3	738.9
50	Push	1963.5	196.3	392.7	589.0	785.4	981.7	1178.1	1374.4
	Pull	1649.3	164.9	329.9	494.8	659.7	824.7	989.6	1154.5
63	Push	3117.2	311.7	623.4	935.2	1246.9	1558.6	1870.3	2182.1
	Pull	2803.1	280.3	560.6	840.9	1121.2	1401.5	1681.9	1962.2
80	Push	5026.5	502.7	1005.3	1508.0	2010.6	2513.3	3015.9	3518.6
	Pull	4535.7	453.6	907.1	1360.7	1814.3	2267.8	2721.4	3175.0
100	Push	7854.0	785.4	1570.8	2356.2	3141.6	3927.0	4712.4	5497.8
	Pull	7049.7	705.0	1409.9	2114.9	2819.9	3524.9	4229.8	4934.8

Cylinder Specifications

Cylinder I.D. (mm)	12~100
Operating Type	Double Acting
Fluid Used	Air (filtered through the filter screen of 40 μm)
Operating Pressure Range Mpa(ksi)	0.15~1.0 (22~145)
Guaranteed Pressure Resistance Mpa(ksi)	1.5(215)
Operating Temperature °C	-20~70
Operating Speed Range mm/s	30~500
Stroke Tolerance Range	0~100 ^{+1.0} >0~100 ^{+1.5}
Cushion Mechanism	Anti-collision pad

Magnetic Switch Specification

Item	Electronic Sensor			Reed Sensor
	2-Wire Type	NPN 3-Wire Type	PNP 3-Wire Type	2-Wire Type
Type	2-Wire Type	NPN 3-Wire Type	PNP 3-Wire Type	2-Wire Type
Voltage	10V~28V DC	5V~30V DC		5V~240V AC/DC
Max. Switching Current	2.5mA~100mA	30/200mA Max.		100mA
Max. Contact Capacity	2.8W Max.	6W Max.		10W Max.
Internal Consumption Current	3mA Max.	5mA Max.		-
Leakage Current	0.05mA Max.	0.01mA Max.		-
Protection Circuit	Power polarity reverse protection, surge absorption protection			-
Operating Temperature	-10°C~70°C			-
Protection Rating	General IP64			-

MISUMI contact

Tel: 038-959200 or 1382
Email: cs@misumi.co.th

MISUMI WEB "Chat"



Install MISUMI APP



14

Air Cylinders / Valves / Regulators / Shock Absorbers / O-Rings

Cylinders and Accessories P.951

Shock Absorber P.991

Rod End Bearings

P.999

Floating Joint P.1004

Silencer

P.1006

Control Valves and Accessories P.1007

Air Source Handling

P.1015

O-Rings

P.1027

New Products

Representative model: E-MSDNS16-5-NR-NS

Save Up to **81%** vs Standard Type

226

THB

Shipping from **1 day**



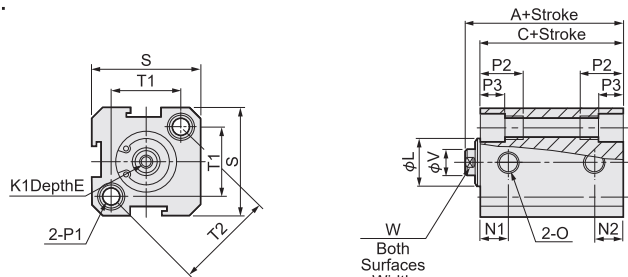
Volume Discount

Quantity	1~9	10~14	15~
Discount	Unit Price	15%	30%

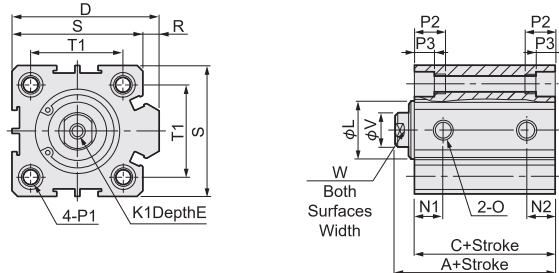


Shipping days may differ by Quantity.
Quantity of volume discount above is for representative Part No. It may differ by the Part.

Cylinder I.D. 12 · 16



Cylinder I.D. 20~100



Material: Cylinder Block Material Aluminum Alloy
Surface Treatment: Clear Anodized

Part Number	1 Type	2 Cylinder I.D. (mm)	3 Stroke (mm)*1	4 Rod End Joint*2	Magnetic Switch*3	6 Quantity
E-MSDN (Female Threaded Without Magnetic Ring)		12	5 10 15 20 25 30 35 40 45 50 55* 60*	NR (Without Joint)	NS(Without Magnetic Switch) CJM(Reed Magnetic Switch) DJM(Electronic Magnetic Switch-2-Wire Type) DJN(Electronic Magnetic Switch-3-Wire NPN Type) DJP(Electronic Magnetic Switch-3-Wire PNP Type)	(With NS Type, no need to specify Qty)
		16				
E-MSDB (Male Threaded Without Magnetic Ring)		20	5 10 15 20 25 30 35 40 45 50 55 60 65 70 75 80 85 90 95 100	SJ (Single Clevis Joint)	NS(Without Magnetic Switch) CGM(Reed Magnetic Switch) DGM(Electronic Magnetic Switch-2-Wire Type) DGN(Electronic Magnetic Switch-3-Wire NPN Type) DGP(Electronic Magnetic Switch-3-Wire PNP Type)	1 2
		25				
E-MSDNS (Female Threaded With Magnetic Ring)		32	5 10 15 20 25 30 35 40 45 50 55 60 65 70 75 80 85 90 95 100 110 120 130*	DJ (Double Clevis Joint)		
		40				
		50				
		63				
E-MSDBS (Male Threaded With Magnetic Ring)		80		FJ (Floating Joint)		
		100				

(*1) Stroke* is not available with magnetic ring type
(*2) For rod end joint, refer to P.1003~P.1004. Rod end joint is not available for tapped shaft rod.
(*3) Magnetic switch is not available for cylinder without magnetic ring. The magnetic switch has a 2-meter long wire. Refer to P.990.

Ordering Example

Please order after selecting part number and parameters according to the selection steps 1 to 6.
Part Number (1 Type · 2 Cylinder I.D.) - 3 Stroke - 4 Rod End Joint - 5 Type · 6 Quantity
E-MSDNS16 - 5 - NR - NS



By Type Search on MISUMI official website
E-MSDNS

By Keyword Step 1 Search on MISUMI official website
compact cylinder

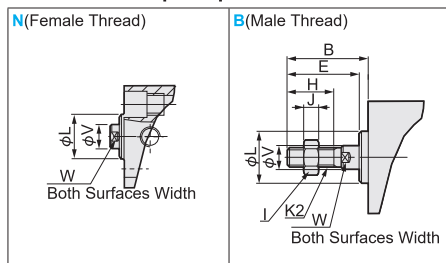
Step 2 Select MISUMI economy series brand



External Dimensions Table

Cylinder I.D. (mm)	Standard		Magnetized		D	E	K1	L	N1		N2		O	P1		P2	P3	R	S	T1	T2	V	W
	A	C	A	C					S=5	S>5	S=5	S>5		Thread	Through Hole								
12	22	17	32	27	-	6	M 3	10.2	7.5	5		M5	M 5	4.2	12	4.5	-	25	16.3	23	6	5	
16	24	18.5	34	28.5	-	6	M 3	11	8	5.5		M5	M 5	4.2	12	4.5	-	29	19.8	28	6	5	
20	25	19.5	35	29.5	36	8	M 4	13	9	5.5		M5	M 5	4.2	14	4.5	2	34	24	-	8	6	
25	27	21	37	31	42	10	M 5	17	9.2	5.5		M5	M 6	4.6	15	5.5	2	40	28	-	10	8	
32	31.5	24.5	41.5	34.5	50	12	M 6	22	9	6.5	9	G1/8	M 6	4.6	16	5.5	6	44	34	-	12	10	
40	33	26	43	36	58.5	12	M 8	28	9.5	7.5		G1/8	M 8	6.5	20	7.5	6.5	52	40	-	16	14	
50	37	28	47	38	71.5	15	M10	38	8	10.5	8	10.5	G1/4	M 8	6.5	25	8.5	9.5	62	48	-	20	17
63	41	32	51	42	84.5	15	M10	40	9.5	11.8	9.5	11.8	G1/4	M 8	6.5	25	8.5	9.5	75	60	-	20	17
80	52	41	62	51	104	20	M14×1.5	45	11.5	14.5	11.5	14.5	G3/8	M12	9.2	25	10.5	10	94	74	-	25	22
100	63	51	73	61	124	20	M18×1.5	55	16	20.5	16	20.5	G3/8	M14	11.3	30	13	10	114	90	-	32	27

Piston Rod Tip Shape



Male Thread External Dimensions Table

Cylinder I.D. (mm)	B	E	H	I	J	K2	L	V	W
12	17	16	10	8	4	M 5	10.2	6	5
16	17.5	16	10	8	4	M 5	11	6	5
20	20.5	19	13	10	5	M 6	13	8	6
25	23	21	15	12	6	M 8	17	10	8
32	25	22	15	17	6	M10×1.25	22	12	10
40	35	32	25	19	8	M14×1.5	28	16	14
50	37	33	25	27	11	M18×1.5	38	20	17
63	37	33	25	27	11	M18×1.5	40	20	17
80	44	39	30	32	13	M22×1.5	45	25	22
100	50	45	35	36	13	M26×1.5	55	32	27

Cylinder Theoretical Output Force Table

Cylinder I.D. (mm)	Operating Type	Compression area (mm ²)	Air pressure (MPa)						
			0.1	0.2	0.3	0.4	0.5	0.6	0.7
12	Push	113.1	-	22.6	33.9	45.2	56.5	67.9	79.2
	Pull	84.8	-	17.0	25.4	33.9	42.4	50.9	59.4
16	Push	201.1	-	40.2	60.3	80.4	100.5	120.6	140.7
	Pull	172.8	-	34.6	51.8	69.1	86.4	103.7	121.0
20	Push	314.2	-	62.8	94.2	125.7	157.1	188.5	219.9
	Pull	263.9	-	52.8	79.2	105.6	131.9	158.3	184.7
25	Push	490.9	-	98.2	147.3	196.3	245.4	294.5	343.6
	Pull	412.3	-	82.5	123.7	164.9	206.2	247.4	288.6
32	Push	804.2	-	160.8	241.3	321.7	402.1	482.5	563.0
	Pull	691.2	-	138.2	207.3	276.5	345.6	414.7	483.8
40	Push	1256.6	125.7	251.3	377.0	502.7	628.3	754.0	879.6
	Pull	1055.6	105.6	211.1	316.7	422.2	527.8	633.3	738.9
50	Push	1963.5	196.3	392.7	589.0	785.4	981.7	1178.1	1374.4
	Pull	1649.3	164.9	329.9	494.8	659.7	824.7	989.6	1154.5
63	Push	3117.2	311.7	623.4	935.2	1246.9	1558.6	1870.3	2182.1
	Pull	2803.1	280.3	560.6	840.9	1121.2	1401.5	1681.9	1962.2
80	Push	5026.5	502.7	1005.3	1508.0	2010.6	2513.3	3015.9	3518.6
	Pull	4535.7	453.6	907.1	1360.7	1814.3	2267.8	2721.4	3175.0
100	Push	7854.0	785.4	1570.8	2356.2	3141.6	3927.0	4712.4	5497.8
	Pull	7049.7	705.0	1409.9	2114.9	2819.9	3524.9	4229.8	4934.8

Cylinder Specifications

Cylinder I.D. (mm)	12~100
Operating Type	Double Acting
Fluid Used	Air (filtered through the filter screen of 40 μm)
Operating Pressure Range Mpa(PSI)	0.15~1.0 (22~145)
Guaranteed Pressure Resistance Mpa(PSI)	1.5(215)
Operating Temperature °C	-20~70
Operating Speed Range mm/s	30~500
Stroke Tolerance Range	0~100*10 ⁻⁶ >0~100*10 ⁻⁵
Cushion Mechanism	Anti-collision pad

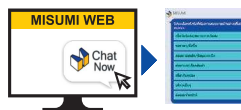
Magnetic Switch Specification

Item	Electronic Sensor			Reed Sensor
	2-Wire Type	NPN 3-Wire Type	PNP 3-Wire Type	2-Wire Type
Type	2-Wire Type	NPN 3-Wire Type	PNP 3-Wire Type	2-Wire Type
Voltage	10V~28V DC	5V~30V DC		5V~240V AC/DC
Max. Switching Current	2.5mA~100mA	30/200mA Max.		100mA
Max. Contact Capacity	2.8W Max.	6W Max.		10W Max.
Internal Consumption Current	3mA Max.	5mA Max.		-
Leakage Current	0.05mA Max.	0.01mA Max.		-
Protection Circuit	Power polarity reverse protection, surge absorption protection			-
Operating Temperature	-10°C~70°C			-
Protection Rating	General IP64			-

MISUMI contact

Tel: 038-959200 or 1382
Email: cs@misumi.co.th

MISUMI WEB "Chat"



Install MISUMI APP



14

Air Cylinders / Valves / Regulators / Shock Absorbers / O-Rings

Cylinders and Accessories P.951

Shock Absorber P.991

Rod End Bearings

P.999

Floating Joint P.1004

Silencer

P.1006

Control Valves and Accessories P.1007

Air Source Handling

P.1015

O-Rings

P.1027

New Products

Representative model: E-MGCM12-10-NS

Save Up to **82%** vs Standard Type

722

THB

Shipping from **1 day**



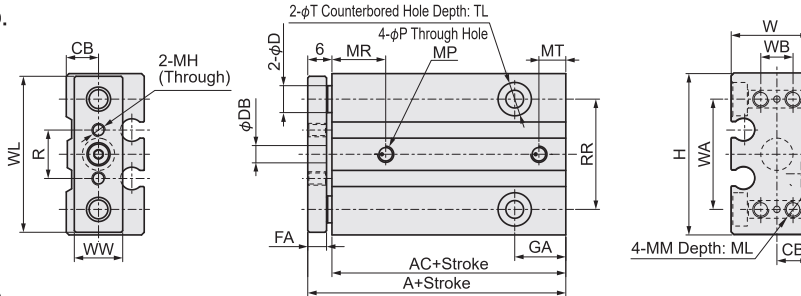
Volume Discount

Quantity	1~3	4~5	6~
Discount	Unit Price	15%	30%

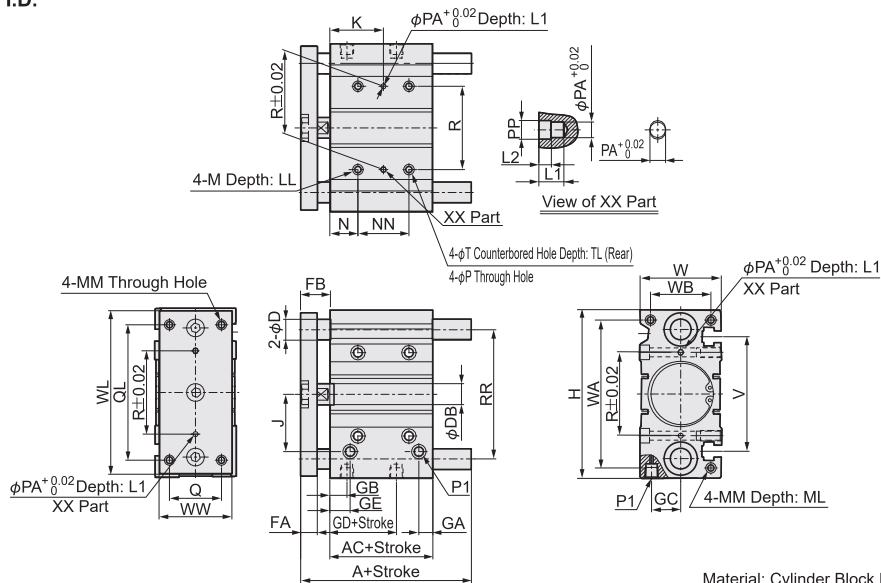


Shipping days may differ by Quantity.
Quantity of volume discount above is for representative Part No. It may differ by the Part.

Cylinder I.D. 6~10



Cylinder I.D. 12~100



Material: Cylinder Block Material Aluminum Alloy
Surface Treatment: Clear Anodized

Part Number	Part Number		Magnetic Switch*	Non-rotating Accuracy			
	1 Type	2 Cylinder I.D. (mm)		3 Stroke (mm)	4 Type	5 Quantity	Copper Sleeve Bushing
P.1007	E-MGCM (Copper Sleeve Bushing)	6	10 15 20 25 30	NS (Without Magnetic Switch) CHM (Reed Magnetic Switch) DHM (Electronic Magnetic Switch-2-Wire Type) DGM (Electronic Magnetic Switch-3-Wire NPN Type) DHP (Electronic Magnetic Switch-3-Wire PNP Type)	1	±0.10°	-
		10	5 10 15 20 25 30			±0.10°	±0.08°
P.1015	E-MGCM (Copper Sleeve Bushing)	12	10 20 25 30 40 50 60 70 75 80 90 100 125 150 175 200	NS (Without Magnetic Switch) CGM (Reed Magnetic Switch) DGN (Electronic Magnetic Switch-3-Wire NPN Type) DGP (Electronic Magnetic Switch-3-Wire PNP Type)	2	±0.09°	±0.07°
		20	20 25 30 40 50 60 70 75 80 90 100 125 150 175 200 225 250			±0.08°	±0.06°
		25	25 30 40 50 60 70 75 80 90 100 125 150 175 200 225 250			±0.06°	±0.05°
		32	25 30 40 50 60 70 75 80 90 100 125 150 175 200 225 250			±0.05°	±0.04°
P.1027	E-MGCL (Linear Bushing)	40	25 30 40 50 60 70 75 80 90 100 125 150 175 200 225 250	NS (Without Magnetic Switch) CGM (Reed Magnetic Switch) DGN (Electronic Magnetic Switch-3-Wire NPN Type) DGP (Electronic Magnetic Switch-3-Wire PNP Type)	2	±0.06°	±0.05°
		50	25 30 40 50 60 70 75 80 90 100 125 150 175 200 225 250			±0.06°	±0.05°
		63	25 30 40 50 60 70 75 80 90 100 125 150 175 200 225 250			±0.06°	±0.05°
		80	25 30 40 50 60 70 75 80 90 100 125 150 175 200 225 250			±0.06°	±0.05°
		100	25 30 40 50 60 70 75 80 90 100 125 150 175 200 225 250			±0.05°	±0.04°

* Cylinders are supplied with magnetic rings as standard. The magnetic switch has a 2-meter long wire. Refer to P.990.
The non-rotating accuracy is the angle at which the cylinder fixing plate can rotate when the cylinder is fully retracted.

Ordering Example

Please order after selecting part number and parameters according to the selection steps 1 to 5.

Part Number (1 Type · 2 Cylinder I.D.) - (3 Stroke) - (4 Type · 5 Quantity)
E-MGCM12 - 10 - NS

14
Air Cylinders / Valves / Regulators / Shock Absorbers / O-Rings

Cylinders and Accessories
P.951

Shock Absorber

P.991

Rod End Bearings

P.999

Floating Joint

P.1004

Silencer

P.1006

Control Valves and Accessories

P.1007

Air Source Handling

P.1015

O-Rings

P.1027

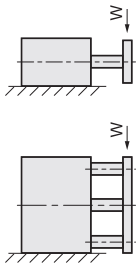
External Dimensions Table

Cylinder I.D. (mm)	A	AC	CB	D	DB	FA	GA	H	MH	ML	MM	MP	MR	MT	P	R	RR	T	TL	W	WA	WB	WL	WW
6	29.5	23.5	6	5	3	5	9.5	30	M2.5×0.45	5	M3×0.5	M3×0.5	9.5	5.5	3.5	9	20.5	6	3	14.5	20.5	6	29	9
10	32	26	7.5	6	5	5	8.5	34	M3×0.5	5	M4×0.7	M3×0.5	11.5	5	4.5	11	23	8	4	18	23	8	33	10

Cylinder I.D. (mm)	A										Stroke					K					AC	FA	FB	P1	GA	GB	GC	GD	GE	R					
	MGCL		MGCM		MGCL/MGCM		10-30	40-50	125-200	225-250	10-30	40-50	125-200	225-250	10-30	40-50	125-200	225-250																	
	10-30	40-50	60	10-50	60	70-100													125-150	175-200											225-250				
12	42	55	55	42	55		85			20	40	40			15	25	25			60			29	33	8	13	M5	7.5	11	8	13	11	23		
16	46	65	65	46	65		95								17	27	27								33	33	13	15	M5	10	15	10	15	11	24
20				80	52					44	44				29	39	39								37	37	10	16	G1/8	10.5	10.5	12.5	10.5	11.5	28
25	53	80	81	53	81		103								29	39	39								37	37	10	16	G1/8	11.5	13.5	12.5	11.5	11.5	34
32	65														33	33	45													12.5	15	7	12.5	14	42
40	66	65	102	75	102		118			24	48		124		34	34	46									44				10	14	18	13	14	50
50	76	76													36	36	48													11	12	21.5	9		66
63	77	77	118	89	118		134			28	28				38	38	50									49				13.5	16.5	28	14	16.5	80
80												52		128																16.5	19	26	16	19	100
100	106.5			112.5			165.5		187.5						42		54		92	128	56.5	20	40						G3/8	20.5	22.5	32	22	22.5	124
100	122			128			186		208												66	24	50						20.5	22.5	32	22	22.5	124	

Cylinder I.D. (mm)	RR	N	P	PA	PP	T	TL	M	LL	D		DB	J	W	WA	WB	WL	WW	H	Q	QL	MM	ML	L1	L2	V												
										Linear Bushing	Copper Sleeve Bushing																											
12	41	5	4.5	3	3.5	8	4.5	M5	10	6	8	6	18	26	50	18	56	22	58	14	48	M4	10															37
16	46									8	10	8	19	30	56	22	62	25	64	16	54	M5	12															38
20	54	17	5.5							10	12	10	25	36	72	24	81	30	83	18	70	M5	13	6													44	
25	64					9.5	5.5	M6	12	12	16	12	28.5	42	82	30	91	38	93	26	78	M6	15	6													50	
32	78	21																																			63	
40	86	22	6.5	4	4.5	11	7.5	M8	16	16		16	34	48	98	34	110	44	112	30	96	M8	20	6												72		
50	110										20																										92	
63	124	24	8.5	5	6	14	9	M10	20	20		20	47	64	130	46	146	60	148	40	104	M10	22	8	4											110		
80	156	28	10.5	6	6	17.5	12	12	24	25		30	55	78	142	58	158	70	162	50	130	M12	24	10	5											140		
100	188	11	12.5			20	10	14	28	30		32	74	91.5	180	54	198	75	202	52	174	M14	28	10	5											166		

Allowable Load
(Unit: Newton (N))



Part Number	Cylinder I.D. (mm)	Stroke																			
		5	10	15	20	25	30	40	50	60	70	75	80	90	100	125	150	175	200	225	250
E-MGCL	12	-	2	-	2	2	2	2	2	2	1	1	1	1	1	1	1	-	-	-	-
	16	-	4	-	4	4	4	4	4	4	3	3	3	3	3	3	3	3	2	-	-
	20	-	-	-	7	7	7	7	6	6	6	6	6	6	5	5	5	5	4	4	-
	25	-	-	-	10	10	10	10	10	10	10	10	10	10	10	9	8	7	7	7	7
	32	-	-	-	-	19	19	19	18	17	17	17	17	17	17	16	15	14	13	12	-
	40	-	-	-	-	19	19	19	18	17	17	17	17	17	17	16	15	14	13	12	-
	50	-	-	-	-	70	65	60	50	80	75	75	75	75	65	55	50	40	35	30	-
	63	-	-	-	-	70	65	60	50	80	75	75	75	75	65	55	50	40	35	30	-
	80	-	-	-	-	110	105	100	95	90	110	105	100	100	95	85	70	60	55	40	-
	100	-	-	-	-	140	130	125	120	110	140	135	130	125	120	115	105	90	80	70	60
E-MGCM	6	0.4	0.3	0.18	0.07	-	-	-	-	-	-	-	-	-	-	-	-	-	-	-	
	10	1.5	1.2	0.8	0.5	0.25	0.1	-	-	-	-	-	-	-	-	-	-	-	-	-	
	12	-	3	-	3	3	3	3	3	3	3	3	3	3	3	2	2	-	-	-	
	16	-	7	-	7	7	7	7	7	7	7	7	7	6	6	6	5	5	-	-	
	20	-	-	-	14	14	14	13	12	12	12	12	12	12	11	10	10	9	8	7	
	25	-	-	-	20	20	20	18	16	16	16	16	16	16	15	14	13	12	11	10	
	32	-	-	-	-	37	37	37	36	35	35	34	34	34	33	33	31	29	27	26	24
	40	-	-	-	-	37	37	37	36	35	35	34	34	34	33	33	31	29	27	26	24
	50	-	-	-	-	140	130	120	105	165	160	155	155	150	145	130	115	100	80	70	60
	63	-	-	-	-	140	130	120	105	165	160	155	155	150	145	130	115	100	80	70	60
80	-	-	-	-	220	210	200	190	180	220	210	205	195	185	165	155	135	120	105	80	
100	-	-	-	-	280	265	250	235	220	280	270	260	250	240	230	210	180	160	140	120	

Allowable Torque
(Unit: Newton meter (N m))



Part Number	Cylinder I.D. (mm)	Stroke																			
		5	10	15	20	25	30	40	50	60	70	75	80	90	100	125	150	175	200	225	250
E-MGCL	12	-	0.61	-	0.45	0.40	0.35	0.58	0.50	0.44	0.39	0.37	0.35	0.32	0.29	0.24	0.20	-	-	-	
	16	-	0.99	-	0.74	0.66	0.59	0.99	0.86	0.77	0.69	0.65	0.61	0.57	0.52	0.43	0.37	0.32	0.28	-	
	20	-	-	-	1.26	1.14	1.03	2.17	1.94	1.79	1.59	1.52	1.46	1.33	1.25	1.34	1.17	1.03	0.93	0.88	0.76
	25	-	-	-	2.11	1.96	1.75	3.37	3.02	2.71	2.42	2.38	2.33	2.19	1.97	2.05	1.78	1.58	1.41	1.22	1.16
	32	-	-	-	-	5.95	5.73	5.44	4.89	5.43	5.15	5.11	5.02	4.70	4.51	6.34	5.79	5.33	4.93	4.33	4.29
	40	-	-	-	-	6.55	6.21	5.77	5.39	6.17	5.67	5.62	5.58	5.33	4.96	6.98	6.38	5.87	5.43	5.00	4.72
	50	-	-	-	-	9.17	8.75	8.30	7.62	10.30	9.94	9.83	9.77	8.82	8.74	11.60	10.70	9.83	9.12	8.95	7.95
	63	-	-	-	-	10.20	9.74	9.20	8.48	17.50	14.00	11.00	10.60	10.20	9.74	13.00	11.90	11.00	10.20	9.63	8.84
	80	-	-	-	-	15.1	14.3	13.6	12.9	22.7	21.6	21	20.6	18.9	17.3	16	14.8	13.5	12.9	-	-
	100	-	-	-	-	27.1	25.7	24.4	23.6	39.8	37.9	36	35.2	34.6	31.8	29.3	27.2	25.3	23.5	22.1	-
E-MGCM	6	0.008	0.007	0.006	0.005	-	-	-	-	-	-	-	-	-	-	-	-	-	-	-	
	10	0.045	0.039	0.033	0.028	0.024	0.021	-	-	-	-	-	-	-	-	-	-	-	-	-	
	12	-	0.90	-	0.79	0.71	0.65	0.77	0.72	0.65	0.53	0.50	0.47	0.41	0.36	0.31	0.27	-	-	-	
	16	-	1.21	-	1.04	0.94	0.88	1.23	1.11	0.99	0.72	0.69	0.65	0.61	0.58	0.50	0.44	0.40	0.36	-	
	20	-	-	-	1.57	1.42	1.31	2.39	2.15	1.97	1.90	1.88	1.86								

New Products

Representative model: E-MTN10-10-NS

Shipping from **1 day**



430

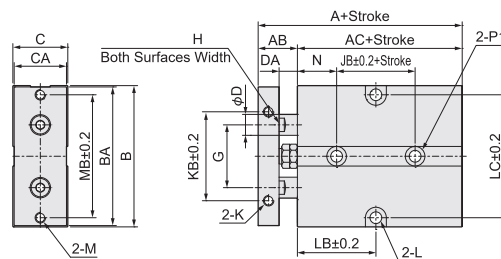
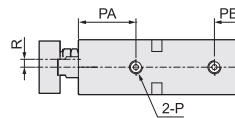
THB

Volume Discount

Quantity	1~3	4~5	6~
Discount	Unit Price	15%	30%



Shipping days may differ by Quantity.
Quantity of volume discount above is for representative Part No. It may differ by the Part.



Material: Cylinder Block Material Aluminum Alloy
Surface Treatment: Clear Anodized

Part Number	Part Number		Stroke (mm)	Magnetic Switch*		Non-rotating Accuracy
	1 Type	2 Cylinder I.D. (mm)		4 Type	5 Quantity	
E-MTN	10	10 20 30 40 50 60 70 80 90 100	NS(Without Magnetic Switch) CJM(Reed Magnetic Switch)	(With NS Type, no need to specify Qty)	±0.04°	
	16	10 20 30 40 50 60 70 80 90 100				
	20	10 20 30 40 50 60 70 80 90 100	DJM(Electronic Magnetic Switch-2-Wire Type)	1		±0.03°
	25	125 150 175 200	DJN(Electronic Magnetic Switch-3-Wire NPN Type)	2		
	32		DJP(Electronic Magnetic Switch-3-Wire PNP Type)			

* Cylinders are supplied with magnetic rings as standard. The magnetic switch has a 2-meter long wire. Refer to P.990.
The non-rotating accuracy is the angle at which the cylinder fixing plate can rotate when the cylinder is fully retracted.

Ordering Example

Please order after selecting part number and parameters according to the selection steps 1 to 5.

Part Number (1 Type · 2 Cylinder I.D.) - 3 Stroke - 4 Type · 5 Quantity
E-MTN10 - 10 - NS

How to search on website



By Type Search on MISUMI official website
E-MTN

By Keyword Step 1 Search on MISUMI official website
rod cylinder

Step 2 Select MISUMI economy series brand
MiSUMI economy

MISUMI contact

Tel: 038-959200 or 1382
Email: cs@misumi.co.th

MISUMI WEB "Chat"



Install MISUMI APP



14

Air Cylinders / Valves / Regulators / Shock Absorbers / O-Rings

Cylinders and Accessories P.951

Shock Absorber P.991

Rod End Bearings P.999

Floating Joint P.1004

Silencer

Control Valves and Accessories P.1006

P.1007

Air Source Handling

P.1015

O-Rings

P.1027

External Dimensions Table

Cylinder I.D. (mm)	A	AB	AC	B	BA	C	CA	D	DA	G	H	P1	JB	K	KB	M	MB	N	P	PA	PB	R
10	58	12	46	42	41	17	16	6	7	18	5	Two-Sided: $\phi 6$ Depth: 3.5 Through Hole: $\phi 3.5$	10	M3×0.5	26	M3×0.5	34	15	M5×0.8	20	10	2.5
16	68	15	53	54	53	21	20	8	7	24	6	Two-Sided: $\phi 7.5$ Depth: 7.2 Through Hole: $\phi 4.5$	20	M4×0.7 Depth 5	34	M4×0.7	47	15	M5×0.8	22	11	3
20	78	20	58	62	61	25	24	10	10	28	8	Two-Sided: $\phi 7.5$ Depth: 7.2 Through Hole: $\phi 4.5$	20	M4×0.7 Depth 5	44	M4×0.7	55	15	M5×0.8	25	12	3.5
25	81	19	62	73	72	30	29	12	9	34	10	Two-Sided: $\phi 7.5$ Depth: 7.2 Through Hole: $\phi 4.5$	30	M4×0.7 Depth 6	56	M4×0.7	66	15	M5×0.8	27	12	6
32	108	30	78	96	94	40	38	16	13	42	14	Two-Sided: $\phi 9$ Depth: 13.2 Through Hole: $\phi 5.5$	35	M8×1.25 Depth 10	72	M6×1	83	17	G1/8	40(35)	14	10

* Values in () are for stroke 10

Cylinder I.D. (mm)	L	LB															LC
		10	20	30	40	50	60	70	80	90	100	125	150	175	200		
10	Two-Sided: $\phi 6$ Depth: 3.5 Through Hole: $\phi 3.5$	30	30	35	40	45	50	55	60	65	70	-	-	-	-	34	
16	Two-Sided: $\phi 8$ Depth: 4.5 Through Hole: $\phi 4.5$	30	35	40	45	50	55	60	65	70	75	87.5	100	112.5	125	47	
20	Two-Sided: $\phi 8$ Depth: 4.5 Through Hole: $\phi 4.5$	35	35	40	45	50	55	60	65	70	75	87.5	100	112.5	125	55	
25	Two-Sided: $\phi 8$ Depth: 4.5 Through Hole: $\phi 4.5$	40	40	45	50	55	60	65	70	75	85	92.5	105	117.5	130	66	
32	Two-Sided: $\phi 9$ Depth: 5.5 Through Hole: $\phi 5.5$	45	50	55	60	65	70	75	80	85	90	102.5	115	127.5	140	83	

Cylinder Theoretical Output Force Table

Cylinder I.D. (mm)	Operating Type	Compression area (mm ²)	Air pressure (MPa)						
			0.1	0.2	0.3	0.4	0.5	0.6	0.7
10	Push	157.1	15.7	31.4	47.1	62.8	78.5	94.2	110.0
	Pull	100.5	10.1	20.1	30.2	40.2	50.3	60.3	70.4
16	Push	402.1	40.2	80.4	120.6	160.8	201.1	241.3	281.5
	Pull	301.6	30.2	60.3	90.5	120.6	150.8	181.0	211.1
20	Push	628.3	62.8	125.7	188.5	251.3	314.2	377.0	439.8
	Pull	471.2	47.1	94.2	141.4	188.5	235.6	282.7	329.9
25	Push	981.7	98.2	196.3	294.5	392.7	490.9	589.0	687.2
	Pull	755.6	75.6	151.1	226.7	302.2	377.8	453.3	528.9
32	Push	1608.5	160.8	321.7	482.5	643.4	804.2	965.1	1125.9
	Pull	1206.4	120.6	241.3	361.9	482.5	603.2	723.8	844.5

Cylinder Specifications

Cylinder I.D. (mm)	10-32
Operating Type	Double Acting
Fluid Used	Air (filtered through the filter screen of 40 μ m)
Operating Pressure Range Mpa(psi)	0.15~1 (22~145)
Guaranteed Pressure Resistance Mpa(psi)	1.5(215)
Operating Temperature °C	-20~70
Operating Speed Range mm/s	30~500
Adjustable Stroke (mm)	-5~0
Stroke Tolerance Range	0~100 ^{+1.0} >0~100 ^{+1.5}
Cushion Mechanism	Anti-collision pad

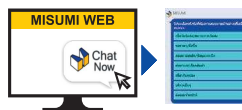
Magnetic Switch Specification

Item	Electronic Sensor			Reed Sensor
	2-Wire Type	NPN 3-Wire Type	PNP 3-Wire Type	2-Wire Type
Type	2-Wire Type	NPN 3-Wire Type	PNP 3-Wire Type	2-Wire Type
Voltage	10V~28V DC	5V~30V DC	5V~30V DC	5V~240V AC/DC
Max. Switching Current	2.5mA~100mA	30/200mA Max.	30/200mA Max.	100mA
Max. Contact Capacity	2.8W Max.	6W Max.	6W Max.	10W Max.
Internal Consumption Current	3mA Max.	5mA Max.	5mA Max.	-
Leakage Current	0.05mA Max.	0.01mA Max.	0.01mA Max.	-
Protection Circuit	Power polarity reverse protection, surge absorption protection			-
Operating Temperature	-10°C~70°C			
Protection Rating	General IP64			

MISUMI contact

Tel: 038-959200 or 1382
Email: cs@misumi.co.th

MISUMI WEB "Chat"



Install MISUMI APP



14

Air Cylinders / Valves / Regulators / Shock Absorbers / O-Rings

Cylinders and Accessories P.951

Shock Absorber P.991

Rod End Bearings P.999

Floating Joint P.1004

Silencer P.1006

Control Valves and Accessories P.1007

Air Source Handling P.1015

O-Rings P.1027

New Products

Representative model: E-MXS10-10-NS

Shipping from **1 day**



474

THB

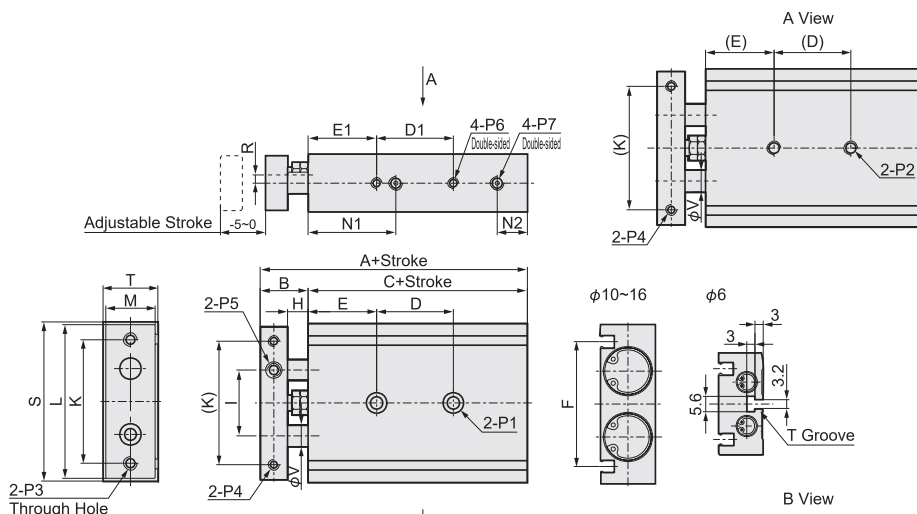
Volume Discount

Quantity	1~3	4~5	6~
Discount	Unit Price	15%	30%

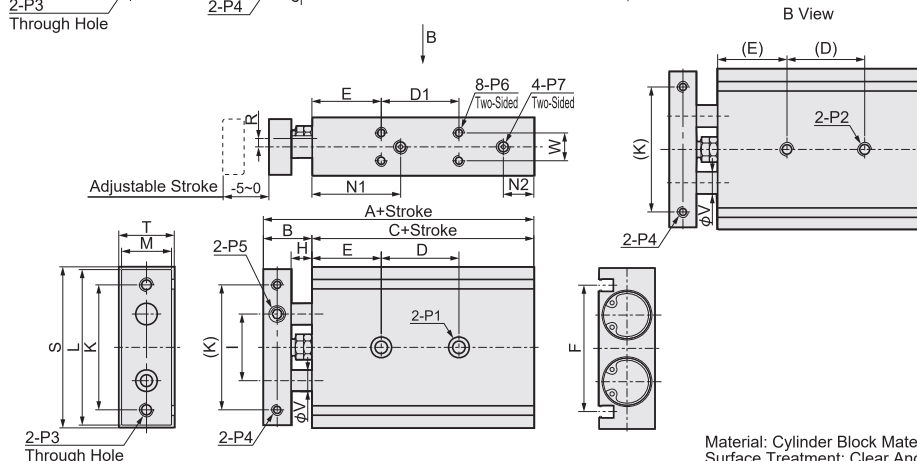


Shipping days may differ by Quantity.
Quantity of volume discount above is for representative Part No. It may differ by the Part.

Cylinder I.D. 6~16



Cylinder I.D. 20~32



Material: Cylinder Block Material Aluminum Alloy
Surface Treatment: Clear Anodized

Part Number	Magnetic Switch*		Non-rotating Accuracy		
	① Type	② Cylinder I.D. (mm)		③ Stroke (mm)	④ Type
E-MXS	6	10 15 20 25 30 35 40 45 50	NS (Without Magnetic Switch)	(With NS Type, no need to specify Qty)	1
	10	10 15 20 25 30 35 40 45 50 60 70 75 80 90 100	CGM (Reed Magnetic Switch)		
	16		DGM (Electronic Magnetic Switch-2-Wire Type)		
	20		DGN (Electronic Magnetic Switch-3-Wire NPN Type)		
	25		DGP (Electronic Magnetic Switch-3-Wire PNP Type)		
32		10 15 20 25 30 35 40 45 50 60 70 75 80 90 100 125 150 175 200			

* Cylinders are supplied with magnetic rings as standard. The magnetic switch has a 2-meter long wire. Refer to P.990.
The non-rotating accuracy is the angle at which the cylinder fixing plate can rotate when the cylinder is fully retracted.

Ordering Example

Please order after selecting part number and parameters according to the selection steps ① to ⑤.
Part Number (①Type · ②Cylinder I.D.) - ③Stroke - ④Type · ⑤Quantity
E-MXS10 - 10 - NS

How to search on website

By Type: Search on MISUMI official website
E-MXS

By Keyword: Step 1 Search on MISUMI official website
rod cylinder

Step 2 Select MISUMI economy series brand
MISUMI economy

14
Air Cylinders / Valves / Regulators / Shock Absorbers / O-Rings
Cylinders and Accessories
P.951
Shock Absorber
P.991
Rod End Bearings
P.999
Floating Joint
P.1004
Silencer
P.1006
Control Valves and Accessories
P.1007
Air Source Handling
P.1015
O-Rings
P.1027

External Dimensions Table

Cylinder I.D. (mm)	A	B	C	E	E1	F	H	I	K	L	M	N1	N2	R	S	T	V	W	P1		P2	P3	P4	P5	P6	P7
																			One-Sided	Through Hole						
6	58.5	13.5	45	13	10	26	8	16	28	35	14	24.5	6.5	4.5	37	16	4	-	6.5 Depth 3.3	3.4	-	M3	M3 Through Hole	M 3	M3 Depth 4.5	M5 Depth 4.5
10	72	17	55	20	20	36.5	9	20	35	44	15	30	8	3.5	46	17	6	-	6.5 Depth 3.3	3.4	M4 Depth 7	M4	M3 Through Hole	M 5	M3 Depth 5	
16	79	19	60	30	30	46.5	9	25	45	56	18	38	8	5	58	20	8	-	8.0 Depth 4.4	4.3	M5 Depth 8	M5	M4 Through Hole	M 6	M4 Depth 5	
20	94	24	70	30	-	52	12	28	50	62	23	46	9	6.5	64	25	10	9.5	9.5 Depth 5.3	5.2	M6 Depth 10	M5	M4 Depth 6	M 8	M4 Depth 7	
25	96	24	72	30	-	61	12	35	60	78	28	43	9	9	80	30	12	13	11 Depth 6.3	6.8	M8 Depth 12	M6	M5 Depth 7.5	M 8	M5 Depth 7	G1/8
32	112	30	82	30	-	73	14	44	75	96	36	53	10	11.5	98	38	16	20	11 Depth 6.3	6.8	M8 Depth 12	M6	M5 Depth 8	M10	M5 Depth 7	G1/8

Cylinder I.D. (mm)	D(D1)							
	Stroke							
	10~25	30~50	60~80	90~100	125	150	175	200
6	D=10+Stroke×0.5 D1=13+Stroke		-	-	-	-	-	-
10	30	40	50	60	-	-	-	
16	25	35	45	55	65	75	145	
20	30	40	60	60	80	80	100	
25	30	40	60	60	80	80	100	
32	40	50	70	70	90	90	110	

Cylinder Theoretical Output Force Table

Cylinder I.D. (mm)	Operating Type	Compression area (mm ²)	Air pressure (MPa)						
			0.1	0.2	0.3	0.4	0.5	0.6	0.7
6	Push	56.5	5.7	11.3	17.0	22.6	28.3	33.9	39.6
	Pull	31.4	3.1	6.3	9.4	12.6	15.7	18.8	22.0
10	Push	157.1	15.7	31.4	47.1	62.8	78.5	94.2	110.0
	Pull	100.5	10.1	20.1	30.2	40.2	50.3	60.3	70.4
16	Push	402.1	40.2	80.4	120.6	160.8	201.1	241.3	281.5
	Pull	301.6	30.2	60.3	90.5	120.6	150.8	181.0	211.1
20	Push	628.3	62.8	125.7	188.5	251.3	314.2	377.0	439.8
	Pull	471.2	47.1	94.2	141.4	188.5	235.6	282.7	329.9
25	Push	981.7	98.2	196.3	294.5	392.7	490.9	589.0	687.2
	Pull	755.6	75.6	151.1	226.7	302.2	377.8	453.3	528.9
32	Push	1608.5	160.8	321.7	482.5	643.4	804.2	965.1	1125.9
	Pull	1206.4	120.6	241.3	361.9	482.5	603.2	723.8	844.5

Cylinder Specifications

Cylinder I.D. (mm)	6	10~20	25~32
Operating Type	Double Acting		
Fluid Used	Air (filtered through the filter screen of 40 μm)		
Operating Pressure Range Mpa(psi)	0.15~1 (22~145)		
Guaranteed Pressure Resistance Mpa(psi)	1.5(215)		
Operating Temperature °C	-20~70		
Operating Speed Range mm/s	30~500		
Adjustable Stroke (mm)	-5~0		
Stroke Tolerance Range	0~100 ^{+1.0} >0~100 ^{+1.5}		
Cushion Mechanism	Anti-collision pad		
Non-rotating Accuracy	±0.2°	±0.15°	±0.1°

Magnetic Switch Specification

Item	Electronic Sensor			Reed Sensor
	2-Wire Type	NPN 3-Wire Type	PNP 3-Wire Type	2-Wire Type
Voltage	10V~28V DC	5V~30V DC		5V~240V AC/DC
Max. Switching Current	2.5mA~100mA	30/200mA Max.		100mA
Max. Contact Capacity	2.8W Max.	6W Max.		10W Max.
Internal Consumption Current	3mA Max.	5mA Max.		-
Leakage Current	0.05mA Max.	0.01mA Max.		-
Protection Circuit	Power polarity reverse protection, surge absorption protection			
Operating Temperature	-10°C~70°C			
Protection Rating	General IP64			

MISUMI contact

Tel: 038-959200 or 1382
Email: cs@misumi.co.th

MISUMI WEB "Chat"



Install MISUMI APP



14

Air Cylinders / Valves / Regulators / Shock Absorbers / O-Rings

Cylinders and Accessories P.951

Shock Absorber

P.991

Rod End Bearings

P.999

Floating Joint

P.1004

Silencer

P.1006

Control Valves and Accessories

P.1007

Air Source Handling

P.1015

O-Rings

P.1027

New Products

Representative model: E-MCCS32-25-NB-NR-NS

Shipping from **10 days**



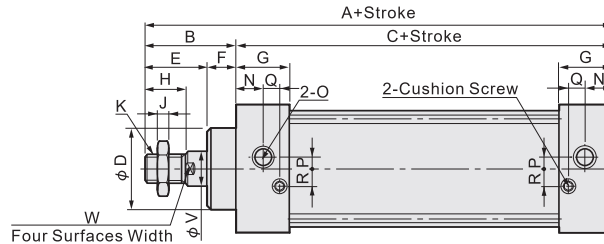
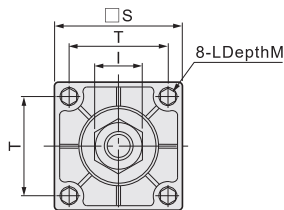
512 THB

Volume Discount

Quantity	1~3	4~5	6~
Discount	Unit Price	15%	30%



Shipping days may differ by Quantity.
Quantity of volume discount above is for representative Part No. It may differ by the Part.



Material: Cylinder Block Material Aluminum Alloy
Surface Treatment: Clear Anodized

Part Number	1 Type	2 Cylinder I.D. (mm)	3 Stroke (mm)	4 Fixing Method ^{*1}	5 Rod End Joint ^{*2}	Magnetic Switch ^{*3}	
						6 Type	7 Quantity
E-MCC (Without Magnetic Ring)	E-MCC	32	25 50 75 80 100 125 150 160 175 200 250 300 350 400 450 500	NB (Without Bracket) FB (Foot Bracket) FR (Flange) SC (Single Clevis Bracket) DC (Double Clevis Bracket) CT (Trunnion Bracket)	NR (Without Joint) SJ (Single Clevis Joint) DJ (Double Clevis Joint) FJ (Floating Joint)	NS (Without Magnetic Switch) CGM (Reed Magnetic Switch) DGM (Electronic Magnetic Switch-2-Wire Type) DGN (Electronic Magnetic Switch-3-Wire NPN Type) DGP (Electronic Magnetic Switch-3-Wire PNP Type)	(With NS Type, no need to specify Qty) 1 2
		40					
		50					
		63	25 50 75 80 100 125 150 160 175 200 250 300 350 400 450 500 600 700 800 900 1000				
		80					
E-MCCS (With Magnetic Ring)	E-MCCS	32					
		40					
		50					
		63					
		80					
		100					

(*1) References for fixing accessories: FB (Foot Bracket)P.981, FR (Flange)P.983, SC (Single Clevis Bracket)P.985, DC (Double Clevis Bracket)P.986, CT (Trunnion Bracket)P.987, CT (Trunnion Bracket) Mounted in the middle of the stroke at default, and support for mating CT (trunnion bracket) needs to be ordered separately. Refer to P.987.

(*2) For rod end joint, refer to P.1003~P.1004.

(*3) Magnetic switch is not available for cylinder without magnetic ring. The magnetic switch has a 2-meter long wire. Refer to P.990.

Ordering Example

Please order after selecting part number and parameters according to the selection steps 1 to 7.

Part Number (1 Type · 2 Cylinder I.D.) - 3 Stroke - 4 Fixing Method - 5 Rod End Joint - 6 Type · 7 Quantity
E-MCCS32 - 25 - NB - NR - NS

How to search on website



By Type

Search on MISUMI official website

E-MCCS

By Keyword

Step 1 ▶ Search on MISUMI official website

standard cylinder

Step 2 ▶ Select MISUMI economy series brand

MiSUMI



MISUMI contact

Tel: 038-959200 or 1382
Email: cs@misumi.co.th

MISUMI WEB "Chat"



Install MISUMI APP



14

Air Cylinders / Valves / Regulators / Shock Absorbers / O-Rings

Cylinders and Accessories P.951

Shock Absorber

P.991

Rod End Bearings

P.999

Floating Joint

P.1004

Silencer

P.1006

Control Valves and Accessories

P.1007

Air Source Handling

P.1015

O-Rings

P.1027

External Dimensions Table

Cylinder I.D. (mm)	A	B	C	D	E	F	G	H	I	J	K	L	M	N	O	P	Q	R	S	T	V	W
32	140	47	93	28	32	15	27.5	22	17	6	M10×1.25	M 6×1	14.5	14.5	G1/8	5.5	6	6.5	45	33	12	10
40	142	49	93	32	34	15	27.5	24	17	7	M12×1.25	M 6×1	14.5		G1/4	6	5	8.5	50	37	16	14
50	150	57	93	38	42	15	27.5	32	23	8	M16×1.5	M 6×1	14.5		G1/4	8.5	2.5	10	62	47	20	17
63	153	57	96	38	42	15	27.5	32	23	8	M16×1.5	M 8×1.25	14.5	17	G3/8	9.5	4	8.5	75	56	20	17
80	182	75	107	47	54	21	33	40	26	10	M20×1.5	M10×1.5	17		G3/8	10	4.5	14	94	70	25	22
100	188	75	113	47	54	21	33	40	26	10	M20×1.5	M10×1.5	17		G1/2	11	6.5	14	112	84	25	22

Cylinder Theoretical Output Force Table

Cylinder I.D. (mm)	Operating Type	Compression area (mm ²)	Air pressure (MPa)									
			0.1	0.2	0.3	0.4	0.5	0.6	0.7	0.8	0.9	
32	Double Acting	Press	804	80.4	160.8	241.2	321.6	402	482.4	562.8	643.2	723.6
		Pull	690	69	138	207	276	345	414	483	552	621
40	Double Acting	Press	1256	125.6	251.2	376.8	502.4	628	753.6	879.2	1004.8	1130.4
		Pull	1055	105.5	211	316.5	422	527.5	633	738.5	844	949.5
50	Double Acting	Press	1963	196.3	392.6	588.9	785.2	981.5	1177.8	1374.1	1570.4	1766.7
		Pull	1649	164.9	329.8	494.7	659.6	824.5	989.4	1154.3	1319.2	1484.1
63	Double Acting	Press	3117	311.7	623.4	935.1	1246.8	1558.5	1870.2	2181.9	2493.6	2805.3
		Pull	2803	280.3	560.6	840.9	1121.2	1401.5	1681.8	1962.1	2242.4	2522.7
80	Double Acting	Press	5026	502.6	1005.2	1507.8	2010.4	2513	3015.6	3518.2	4020.8	4523.4
		Pull	4536	453.6	907.2	1360.8	1814.4	2268	2721.6	3175.2	3628.8	4082.4
100	Double Acting	Press	7853	785.3	1570.6	2355.9	3141.2	3926.5	4711.8	5497.1	6282.4	7067.7
		Pull	7362	736.2	1472.4	2208.6	2944.8	3681	4417.2	5153.4	5889.6	6625.8

Cylinder Specifications

Cylinder I.D. (mm)	32~100
Operating Type	Double Acting
Fluid Used	Air (filtered through the filter screen of 40 μm)
Operating Pressure Range Mpa(psi)	0.15~1 (14~145)
Guaranteed Pressure Resistance Mpa(psi)	1.5(215)
Operating Temperature °C	-20~70
Operating Speed Range mm/s	30~800
Stroke Tolerance Range	0~250 ^{+1.0} ; 251~1000 ^{+1.5} ; 1001~1500 ^{+2.0}
Cushion Mechanism	Adjustable Cushion

Magnetic Switch Specification

Item	Electronic Sensor			Reed Sensor
	2-Wire Type	NPN 3-Wire Type	PNP 3-Wire Type	2-Wire Type
Type	2-Wire Type	NPN 3-Wire Type	PNP 3-Wire Type	2-Wire Type
Voltage	10V~28V DC	5V~30V DC		5V~240V AC/DC
Max. Switching Current	2.5mA~100mA	30/200mA Max.		100mA
Max. Contact Capacity	2.8W Max.	6W Max.		10W Max.
Internal Consumption Current	3mA Max.	5mA Max.		-
Leakage Current	0.05mA Max.	0.01mA Max.		-
Protection Circuit	Power polarity reverse protection, surge absorption protection			-
Operating Temperature	-10°C~70°C			
Protection Rating	General IP64			

MISUMI contact

Tel: 038-959200 or 1382
Email: cs@misumi.co.th

MISUMI WEB "Chat"



Install MISUMI APP



14

Air Cylinders / Valves / Regulators / Shock Absorbers / O-Rings

Cylinders and Accessories P.951

Shock Absorber

P.991

Rod End Bearings

P.999

Floating Joint

P.1004

Silencer

P.1006

Control Valves and Accessories

P.1007

Air Source Handling

P.1015

O-Rings

P.1027

New Products

Representative model: E-MCES32-25-NB-NR-NS

Shipping from 10 days



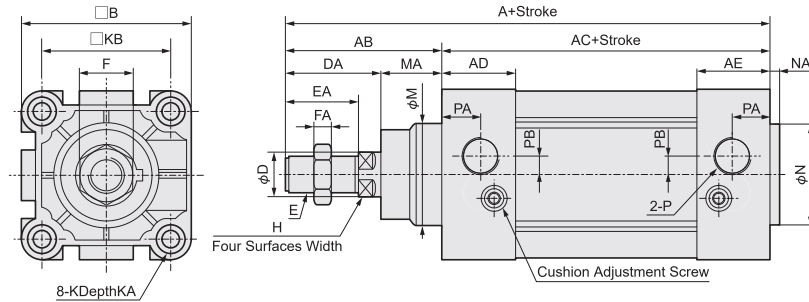
512 THB

Volume Discount

Quantity	1~3	4~5	6~
Discount	Unit Price	15%	30%



Shipping days may differ by Quantity.
Quantity of volume discount above is for representative Part No. It may differ by the Part.



Material: Cylinder Block Material Aluminum Alloy
Surface Treatment: Clear Anodized

Part Number	Part Number		Stroke (mm)	Fixing Method ^{*1}	Rod End Joint ^{*2}	Magnetic Switch ^{*3}	
	Type	Cylinder I.D. (mm)				Type	Quantity
E-MCE (Without Magnetic Ring) E-MCES (With Magnetic Ring)	32	25 50 75 80 100 125 150 160 175 200 250 300	NB (Without Bracket) FB (Foot Bracket) FR (Flange) SC (Single Clevis Bracket) DC (Double Clevis Bracket) CT (Trunnion Bracket)	NR (Without Joint) SJ (Single Clevis Joint) DJ (Double Clevis Joint) FJ (Floating Joint)	NS (Without Magnetic Switch) CEM (Reed Magnetic Switch) DEM (Electronic Magnetic Switch-2-Wire Type) DEN (Electronic Magnetic Switch-3-Wire NPN Type) DEP (Electronic Magnetic Switch-3-Wire PNP Type)	1 2	(With NS Type, no need to specify Qty)
		350 400 450 500					
		40					
		50					
		63					
80							
100							

(*1) References for fixing accessories: FB (Foot Bracket)P.981, FR (Flange) P.983, SC (Single Clevis Bracket)P.985, DC (Double Clevis Bracket)P.986, CT (Trunnion Bracket)P.987, CT (Trunnion Bracket) Mounted in the middle of the stroke at default, and support for mating CT (trunnion bracket) needs to be ordered separately. Refer to P.987.

(*2) For rod end joint, refer to P.1003~P.1004.

(*3) Magnetic switch is not available for cylinder without magnetic ring. The magnetic switch has a 2-meter long wire. Refer to P.990.

Ordering Example

Please order after selecting part number and parameters according to the selection steps 1 to 7.

Part Number (1)Type · (2)Cylinder I.D.) - (3)Stroke - (4)Fixing Method - (5)Rod End Joint - (6)Type · (7)Quantity
E-MCES32 - 25 - NB - NR - NS

How to search on website



By Type Search on MISUMI official website
E-MCES

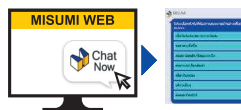
By Keyword Step 1 Search on MISUMI official website
standard cylinder

Step 2 Select MISUMI economy series brand
MISUMI economy

MISUMI contact

Tel: 038-959200 or 1382
Email: cs@misumi.co.th

MISUMI WEB "Chat"



Install MISUMI APP



14

Air Cylinders / Valves / Regulators / Shock Absorbers / O-Rings

Cylinders and Accessories P.951

Shock Absorber

P.991

Rod End Bearings

P.999

Floating Joint

P.1004

Silencer

P.1006

Control Valves and Accessories

P.1007

Air Source Handling

P.1015

O-Rings

P.1027

External Dimensions Table

Cylinder I.D. (mm)	A	AB	AC	AD	AE	B	D	DA	E	EA	F	FA	H	K	KA	KB	M	MA	NA	N	P	PA	PB
32	142	48	94	27.5	27.5	46.5	12	29	M10×1.25	22	17	6	10	M6	16	32.5	30	19	3	30	G1/8	13.5	6
40	159	54	105	32	32	54	16	33	M12×1.25	24	17	7	13	M6	17	38	35	21	3.5	35	G1/4	17.5	6
50	175	69	106	31	31	64	20	42	M16×1.5	32	23	8	17	M8	17	46.5	40	27	3.5	40	G1/4	14	8
63	190	69	121	33	33	75	20	42	M16×1.5	32	23	8	17	M8	17	56.5	45	27	4	45	G3/8	17	8
80	214	86	128	33	33	93	25	53	M20×1.5	40	26	10	22	M10	19	72	45	33	4	45	G3/8	16.5	8
100	229	91	138	37	37	110	25	55	M20×1.5	40	26	10	22	M10	19	89	55	36	4	55	G1/2	19.5	10

Cylinder Theoretical Output Force Table

Cylinder I.D. (mm)	Operating Type	Compression area (mm ²)	Air pressure (MPa)									
			0.1	0.2	0.3	0.4	0.5	0.6	0.7	0.8	0.9	
32	Double Acting	Press	804	80.4	160.8	241.2	321.6	402	482.4	562.8	643.2	723.6
		Pull	690	69	138	207	276	345	414	483	552	621
40	Double Acting	Press	1256	125.6	251.2	376.8	502.4	628	753.6	879.2	1004.8	1130.4
		Pull	1055	105.5	211	316.5	422	527.5	633	738.5	844	949.5
50	Double Acting	Press	1963	196.3	392.6	588.9	785.2	981.5	1177.8	1374.1	1570.4	1766.7
		Pull	1649	164.9	329.8	494.7	659.6	824.5	989.4	1154.3	1319.2	1484.1
63	Double Acting	Press	3117	311.7	623.4	935.1	1246.8	1558.5	1870.2	2181.9	2493.6	2805.3
		Pull	2803	280.3	560.6	840.9	1121.2	1401.5	1681.8	1962.1	2242.4	2522.7
80	Double Acting	Press	5026	502.6	1005.2	1507.8	2010.4	2513	3015.6	3518.2	4020.8	4523.4
		Pull	4536	453.6	907.2	1360.8	1814.4	2268	2721.6	3175.2	3628.8	4082.4
100	Double Acting	Press	7853	785.3	1570.6	2355.9	3141.2	3926.5	4711.8	5497.1	6282.4	7067.7
		Pull	7362	736.2	1472.4	2208.6	2944.8	3681	4417.2	5153.4	5889.6	6625.8

Cylinder Specifications

Cylinder I.D. (mm)	32~100
Operating Type	Double Acting
Fluid Used	Air (filtered through the filter screen of 40 μm)
Operating Pressure Range Mpa(psi)	0.15~1 (14~145)
Guaranteed Pressure Resistance Mpa(psi)	1.5(215)
Operating Temperature °C	-20~70
Operating Speed Range mm/s	30~800
Stroke Tolerance Range	0~250 ^{+1.0} ; 251~1000 ^{+1.5} ; 1001~1500 ^{+2.0}
Cushion Mechanism	Adjustable Cushion

Magnetic Switch Specification

Item	Electronic Sensor			Reed Sensor
	2-Wire Type	NPN 3-Wire Type	PNP 3-Wire Type	2-Wire Type
Voltage	10V~28V DC	5V~30V DC		5V~240V AC/DC
Max. Switching Current	2.5mA~100mA	30/200mA Max.		100mA
Max. Contact Capacity	2.8W Max.	6W Max.		10W Max.
Internal Consumption Current	3mA Max.	5mA Max.		-
Leakage Current	0.05mA Max.	0.01mA Max.		-
Protection Circuit	Power polarity reverse protection, surge absorption protection			-
Operating Temperature	-10°C~70°C			
Protection Rating	General IP64			

MISUMI contact

Tel: 038-959200 or 1382
Email: cs@misumi.co.th

MISUMI WEB "Chat"



Install MISUMI APP



14

Air Cylinders / Valves / Regulators / Shock Absorbers / O-Rings

Cylinders and Accessories P.951

Shock Absorber

P.991

Rod End Bearings

P.999

Floating Joint

P.1004

Silencer

P.1006

Control Valves and Accessories

P.1007

Air Source Handling

P.1015

O-Rings

P.1027

New Products

Representative model: E-MCPAS16-25-BB-NB-NR-NS

Save Up to **72%** vs Standard Type

Shipping from **10 days**

332 THB

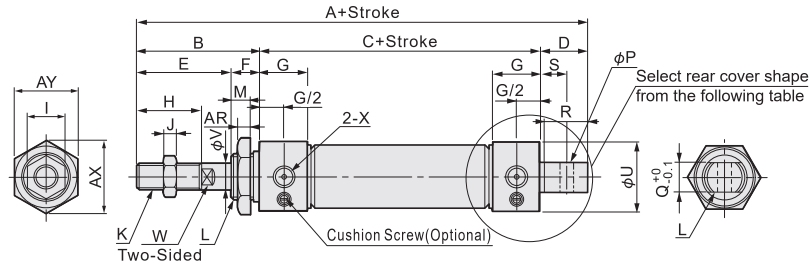
Volume Discount

Quantity	1~3	4~5	6~
Discount	Unit Price	15%	30%

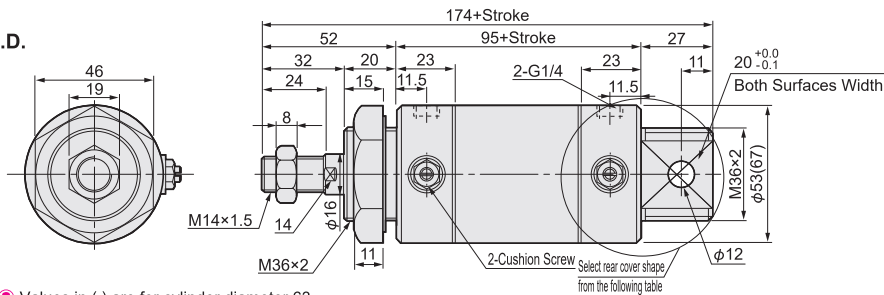


Shipping days may differ by Quantity.
Quantity of volume discount above is for representative Part No. It may differ by the Part.

Cylinder I.D. 16~40



Cylinder I.D. 50~63



Values in () are for cylinder diameter 63.

16~40

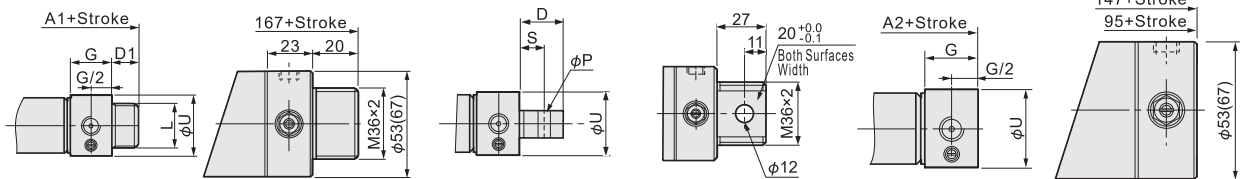
BA(Round End) 50~63

16~40

BB(Single Clevis) 50~63

16~40

BC(Flat End) 50~63



Material: Cylinder Block Material Stainless Steel

Part Number	Magnetic Switch*3						
	Type	Quantity					
1 Type	2 Cylinder I.D. (mm)	3 Stroke (mm)	4 Cylinder End Type	5 Fixing Method*1	6 Rod End Joint*2	7 Type	8 Quantity
E-MCPAS (Without Air Cushion)	16 20 25	10 15 20 25 30 40 50 60 75 80	BA(Round End)	NB(Without Bracket)	NR(Without Joint)	NS(Without Magnetic Switch)	With NS Type, no need to specify Qty)
E-MCPAS (With Air Cushion)	32 40	100 125 150 160 175 200 250 300 350 400 450 500	BB(Single Clevis)	FB(Foot Bracket)	SJ(Single Clevis Joint)	CGM(Reed Magnetic Switch)	
E-MCPAS (With Air Cushion)	50 63		BC(Flat End)	FR(Flange)	DJ(Double Clevis Joint)	DGM(Electronic Magnetic Switch-2-Wire Type)	
				PB(Trunnion Support)	FJ(Floating Joint)	DGN(Electronic Magnetic Switch-3-Wire NPN Type)	1
						DGP(Electronic Magnetic Switch-3-Wire PNP Type)	2

*1) References for fixing accessories: FB (Foot Bracket)P.981, FR (Flange)P.984, PB (Trunnion Support)P.989. Trunnion support is only available for single clevis cylinder, and foot bracket unable to match with flat end cylinder.

*2) For rod end joint, refer to P.1003~P.1004.

*3) Cylinders are supplied with magnetic rings as standard. The magnetic switch has a 2-meter long wire. Refer to P.990.

Ordering Example

Please order after selecting part number and parameters according to the selection steps 1 to 8.

Part Number (1)Type · (2)Cylinder I.D.) - (3)Stroke - (4)Cylinder End Type - (5)Fixing Method - (6)Rod End Joint - (7)Type · (8)Quantity
E-MCPAS16 - 25 - BB - NB - NR - NS

How to search on website



By Type

Search on MISUMI official website

E-MCPAS



By Keyword

Step 1 Search on MISUMI official website

pen cylinder



Step 2 Select MISUMI economy series brand



External Dimensions Table Refer to the drawing for the dimensions of cylinder diameters φ50 and 63

Cylinder I.D. (mm)	A	A1	A2	B	C	D	D1	E	F	G	H	I	J	K
16	114	114	98	38	60	16	16	22	16	12.5	16	10	5	M 6×1.0
20	137	128	116	40	76	21	12	28	12	16	20	12	6	M 8×1.25
25	141	134	120	44	76	21	14	30	14	16	22	17	6	M10×1.25
32	147	134	120	44	76	27	14	30	14	16	22	17	6	M10×1.25
40	149	136	122	46	76	27	14	32	14	16.5	24	17	7	M12×1.25

Cylinder I.D. (mm)	L	M	P	Q	R	S	U	V	W	X	AR	AX	AY
16	M16×1.5	14	6	12	14	9	21	6	5	M5×0.8	6	25	22
20	M22×1.5	10	8	16	19	12	27	8	6	G1/8	7	33	29
25	M22×1.5	12	8	16	19	12	30	10	8	G1/8	7	33	29
32	M24×2.0	12	10	16	25	15	35	12	10	G1/8	8	37	32
40	M30×2.0	12	12	20	25	15	41.6	16	14	G1/8	8	47	41

Cylinder Theoretical Output Force Table

Cylinder I.D. (mm)	Operating Type	Compression area (mm ²)	Air pressure (MPa)						
			0.1	0.2	0.3	0.4	0.5	0.6	0.7
16	Push	201.0	20.1	40.2	60.3	80.4	100.5	120.6	140.7
	Pull	172.7	17.3	34.5	51.8	69.1	86.4	103.6	120.9
20	Push	314.0	31.4	62.8	94.2	125.6	157.0	188.4	219.8
	Pull	263.8	26.4	52.8	79.1	105.5	131.9	158.3	184.6
25	Push	490.6	49.1	98.1	147.2	196.3	245.3	294.4	343.4
	Pull	412.1	41.2	82.4	123.6	164.9	206.1	247.3	288.5
32	Push	803.8	80.4	160.8	241.2	321.5	401.9	482.3	562.7
	Pull	690.8	69.1	138.2	207.2	276.3	345.4	414.5	483.6
40	Push	1256.0	125.6	251.2	376.8	502.4	628.0	753.6	879.2
	Pull	1055.0	105.5	211.0	316.5	422.0	527.5	633.0	738.5
50	Push	1962.5	196.3	392.5	588.8	785.0	981.3	1177.5	1373.8
	Pull	1761.5	176.2	352.3	528.5	704.6	880.8	1056.9	1233.1
63	Push	3115.7	311.6	623.1	934.7	1246.3	1557.8	1869.4	2181.0
	Pull	2914.7	291.5	582.9	874.4	1165.9	1457.4	1748.8	2040.3

Cylinder Specifications

Cylinder I.D. (mm)	16-63
Operating Type	Double Acting
Fluid Used	Air (filtered through the filter screen of 40 μm)
Operating Pressure Range Mpa(psi)	0.15~1 (14~145)
Guaranteed Pressure Resistance Mpa(psi)	1.5(215)
Operating Temperature °C	-20~70
Operating Speed Range mm/s	30~800
Stroke Tolerance Range	0~150 ^{+1.0} ₀ >0~150 ^{+1.5} ₀
Cushion Mechanism	E-MCPA anti-collision pad; E-MCPAC adjustable cushion

Magnetic Switch Specification

Item	Electronic Sensor		Reed Sensor
	2-Wire Type	NPN 3-Wire Type	PNP 3-Wire Type
Type	2-Wire Type	NPN 3-Wire Type	PNP 3-Wire Type
Voltage	10V~28V DC	5V~30V DC	5V~240V AC/DC
Max. Switching Current	2.5mA~100mA	30/200mA Max.	100mA
Max. Contact Capacity	2.8W Max.	6W Max.	10W Max.
Internal Consumption Current	3mA Max.	5mA Max.	-
Leakage Current	0.05mA Max.	0.01mA Max.	-
Protection Circuit	Power polarity reverse protection, surge absorption protection		-
Operating Temperature	-10°C~70°C		-
Protection Rating	General IP64		

MISUMI contact

Tel: 038-959200 or 1382
Email: cs@misumi.co.th

MISUMI WEB "Chat"



Install MISUMI APP



14

Air Cylinders / Valves / Regulators / Shock Absorbers / O-Rings

Cylinders and Accessories P.951

Shock Absorber P.991

Rod End Bearings P.999

Floating Joint P.1004

Silencer P.1006

Control Valves and Accessories P.1007

Air Source Handling P.1015

O-Rings P.1027

New Products

Representative model: E-MCPAL20-25-BB-NB-NR-NS

Shipping from 10 days



303

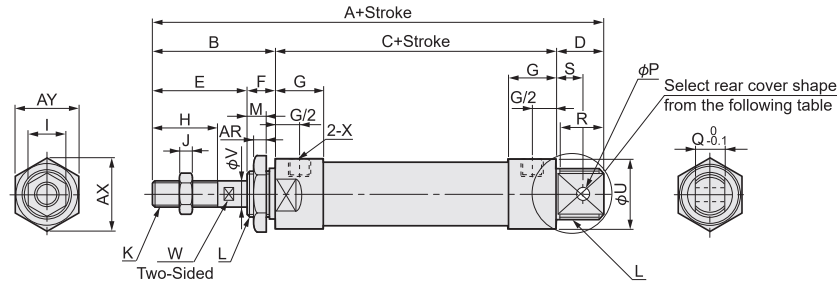
THB

Volume Discount

Quantity	1~3	4~5	6~
Discount	Unit Price	15%	30%



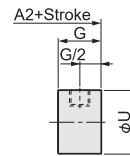
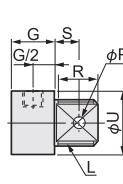
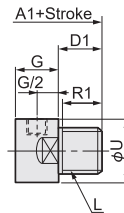
Shipping days may differ by Quantity.
Quantity of volume discount above is for representative Part No. It may differ by the Part.



BA(Round End)

BB(Single Clevis)

BC(Flat End)



Material: Cylinder Block Material Aluminum Alloy
Surface Treatment: Clear Anodized

Part Number	Magnetic Switch*3							
	1 Type	2 Cylinder I.D. (mm)	3 Stroke (mm)	4 Cylinder End Type	5 Fixing Method*1	6 Rod End Joint*2	7 Type	8 Quantity
E-MCPAL (Without Air Cushion, Without Magnetic Ring)	20	10 15 20 25 30 40 50 60 75 80 100 125 150 160 175 200 250 300 350 400 450 500	BA(Round End) BB(Single Clevis) BC(Flat End)	NB(Without Bracket) FB(Foot Bracket) FR(Flange) PB(Trunnion Support)	NR(Without Joint) SJ(Single Clevis Joint) DJ(Double Clevis Joint) FJ(Floating Joint)	NS(Without Magnetic Switch) CGM(Reed Magnetic Switch) DGM(Electronic Magnetic Switch-2-Wire Type) DGN(Electronic Magnetic Switch-3-Wire NPN Type) DGP(Electronic Magnetic Switch-3-Wire PNP Type)	1 2	(With NS Type, no need to specify Qty)
E-MCPALC (With Air Cushion, Without Magnetic Ring)	25							
E-MCPALS (Without Air Cushion, With Magnetic Ring)	32							
E-MCPALCS (With Air Cushion, With Magnetic Ring)	40							

(*1) References for fixing accessories: FB (Foot Bracket)P.981, FR (Flange)P.984, PB (Trunnion Support)P.989. Trunnion support is only available for single clevis cylinder, and foot bracket unable to match with flat end cylinder.

(*2) For rod end joint, refer to P.1003~P.1004.

(*3) Magnetic switch is not available for cylinder without magnetic ring. The magnetic switch has a 2-meter long wire. Refer to P.990.

Ordering Example

Please order after selecting part number and parameters according to the selection steps 1 to 8.

Part Number (1 Type · 2 Cylinder I.D.) - 3 Stroke - 4 Cylinder End Type - 5 Fixing Method - 6 Rod End Joint - 7 Type · 8 Quantity
E-MCPAL20 - 25 - BB - NB - NR - NS

How to search on website



By Type Search on MISUMI official website
E-MCPAL

By Keyword Step 1 Search on MISUMI official website
pen cylinder

Step 2 Select MISUMI economy series brand
MiSUMI economy

MISUMI contact

Tel: 038-959200 or 1382
Email: cs@misumi.co.th

MISUMI WEB "Chat"



Install MISUMI APP



14

Air Cylinders / Valves / Regulators / Shock Absorbers / O-Rings

Cylinders and Accessories P.951

Shock Absorber

P.991

Rod End Bearings

P.999

Floating Joint

P.1004

Silencer

P.1006

Control Valves and Accessories

P.1007

Air Source Handling

P.1015

O-Rings

P.1027

External Dimensions Table

Cylinder I.D. (mm)	A	A1	A2	B	C	D	D1	E	F	G	H	I	J	K
20	131	122	110	40	70	21	12	28	12	16	20	12	6	M 8×1.25
25	135	128	114	44	70	21	14	30	14	16	22	17	6	M10×1.25
32	141	128	114	44	70	27	14	30	14	16	22	17	6	M10×1.25
40	165	152	138	46	92	27	14	32	14	22	24	17	7	M12×1.25

Cylinder I.D. (mm)	L	M	P	Q	R	R1	S	U	V	W	X	AR	AX	AY
20	M22×1.25	10	8	16	19	10	12	29	8	6	G1/8	7	33	29
25	M22×1.5	12	8	16	19	12	12	34	10	8	G1/8	7	33	29
32	M24×2.0	12	10	16	25	12	15	39.5	12	10	G1/8	8	37	32
40	M30×2.0	12	12	20	25	12	15	49.5	16	14	G1/4	8	47	41

Cylinder Theoretical Output Force Table

Cylinder I.D. (mm)	Operating Type	Compression area (mm ²)	Air pressure MPa						
			0.1	0.2	0.3	0.4	0.5	0.6	0.7
20	Push	314.0	31.4	62.8	94.2	125.6	157.0	188.4	219.8
	Pull	263.8	26.4	52.8	79.1	105.5	131.9	158.3	184.6
25	Push	490.6	49.1	98.1	147.2	196.3	245.3	294.4	343.4
	Pull	412.1	41.2	82.4	123.6	164.9	206.1	247.3	288.5
32	Push	803.8	80.4	160.8	241.2	321.5	401.9	482.3	562.7
	Pull	690.8	69.1	138.2	207.2	276.3	345.4	414.5	483.6
40	Push	1256.0	125.6	251.2	376.8	502.4	628.0	753.6	879.2
	Pull	1055.0	105.5	211.0	316.5	422.0	527.5	633.0	738.5

Cylinder Specifications

Cylinder I.D. (mm)	20~40
Operating Type	Double Acting
Fluid Used	Air (filtered through the filter screen of 40 μm)
Operating Pressure Range Mpa(psi)	0.15~1 (14~145)
Guaranteed Pressure Resistance Mpa(psi)	1.5(215)
Operating Temperature °C	-20~70
Operating Speed Range mm/s	30~800
Stroke Tolerance Range	0~150 ^{+1.0} >0~150 ^{+1.5}
Cushion Mechanism	Anti-collision pad

Magnetic Switch Specification

Item	Electronic Sensor			Reed Sensor
	2-Wire Type	NPN 3-Wire Type	PNP 3-Wire Type	2-Wire Type
Voltage	10V~28V DC	5V~30V DC		5V~240V AC/DC
Max. Switching Current	2.5mA~100mA	30/200mA Max.		100mA
Max. Contact Capacity	2.8W Max.	6W Max.		10W Max.
Internal Consumption Current	3mA Max.	5mA Max.		-
Leakage Current	0.05mA Max.	0.01mA Max.		-
Protection Circuit	Power polarity reverse protection, surge absorption protection			-
Operating Temperature	-10°C~70°C			
Protection Rating	General IP64			

14

Air Cylinders / Valves / Regulators / Shock Absorbers / O-Rings

Cylinders and Accessories P.951

Shock Absorber P.991

Rod End Bearings P.999

Floating Joint P.1004

Silencer

P.1006 Control Valves and Accessories P.1007

Air Source Handling P.1015

O-Rings

P.1027

MISUMI contact

Tel: 038-959200 or 1382
Email: cs@misumi.co.th

MISUMI WEB "Chat"



Install MISUMI APP



New Products

Representative model: E-MCPFS20-25-BA-NB-NR-NS

Save Up to **77%** vs Standard Type

Shipping from **10 days**

404 THB

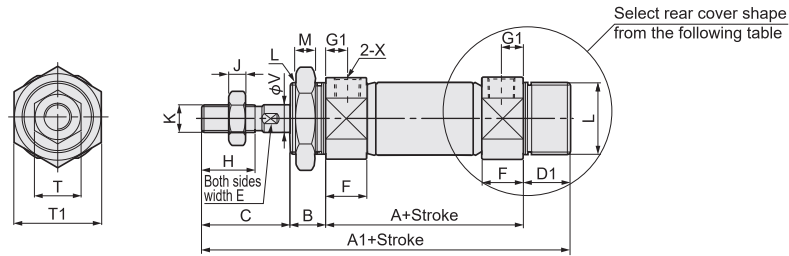


Volume Discount

Quantity	1~3	4~5	6~
Discount	Unit Price	15%	30%



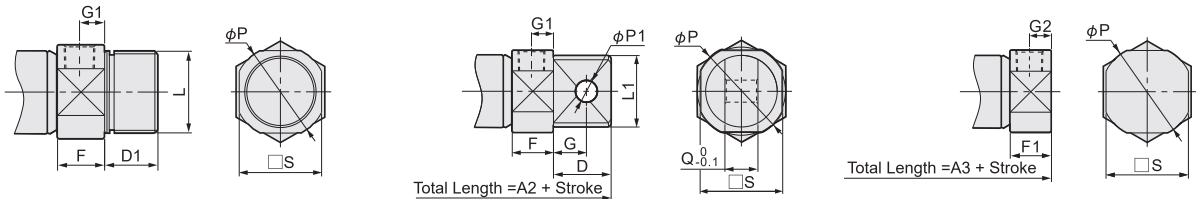
Shipping days may differ by Quantity.
Quantity of volume discount above is for representative Part No. It may differ by the Part.



BA(Round End)

BB(Single Clevis)

BC(Flat End)



Material: Cylinder Block Material Stainless Steel

Part Number	Magnetic Switch*3							
	1 Type	2 Cylinder I.D. (mm)	3 Stroke (mm)	4 Cylinder End Type	5 Fixing Method*1	6 Rod End Joint*2	7 Type	8 Quantity
E-MCPFS (Without Air Cushion)	20	10 15 20 25 30 40 50 60 75 80 100 125 150 160 175 200 250	BA(Round End) BB(Single Clevis) BC(Flat End)	NB(Without Bracket) FB(Foot Bracket) FR(Flange) PB(Trunnion Support) CT(Trunnion Bracket)	NR(Without Joint) SJ(Single Clevis Joint) DJ(Double Clevis Joint) FJ(Floating Joint)	NS(Without Magnetic Switch) CGM(Reed Magnetic Switch) DGM(Electronic Magnetic Switch-2-Wire Type) DGN(Electronic Magnetic Switch-3-Wire NPN Type) DGP(Electronic Magnetic Switch-3-Wire PNP Type)	1 2	(With NS Type, no need to specify Qty)
	25							
	32							
E-MCPFCS (With Air Cushion)	40							

(*1) References for fixing accessories: FB (Foot Bracket)P.982, FR (Flange)P.984, PB (Trunnion Support)P.989, CT (Trunnion support)P.988. Trunnion support is only available for single clevis cylinder, and foot bracket unable to match with flat end cylinder.

(*2) For rod end joint, refer to P.1003~P.1004.

(*3) Cylinders are supplied with magnetic rings as standard. The magnetic switch has a 2-meter long wire. Refer to P.990.

Ordering Example

Please order after selecting part number and parameters according to the selection steps 1 to 8.

Part Number (1)Type · (2)Cylinder I.D. - (3)Stroke - (4)Cylinder End Type - (5)Fixing Method - (6)Rod End Joint - (7)Type · (8)Quantity
E-MCPFS20 - 25 - BA - NB - NR - NS

How to search on website



By Type Search on MISUMI official website
E-MCPFS

By Keyword Step 1 Search on MISUMI official website
pen cylinder

Step 2 Select MISUMI economy series brand
MiSUMI MISUMI economy

MISUMI contact

Tel: 038-959200 or 1382
Email: cs@misumi.co.th

MISUMI WEB "Chat"



Install MISUMI APP



14

Air Cylinders / Valves / Regulators / Shock Absorbers / O-Rings

Cylinders and Accessories P.951

Shock Absorber

P.991

Rod End Bearings

P.999

Floating Joint

P.1004

Silencer

P.1006

Control Valves and Accessories

P.1007

Air Source Handling

P.1015

O-Rings

P.1027

■ External Dimensions Table Sizes with () are for the type with air cushioning

Cylinder I.D. (mm)	A	A1	A2	A3	B	C	D	D1	E	F	F1	G	G1	G2
20	62	116	124	103	14	27	21	13	6	14.5	14.5	12	7.5	7.5
25	62	120	128	108 (107)	14	31	21	13	8	14.5	14.5	12	7.5	8
32	64	122	136	110 (109)	14	31	27	13	10	14.5	14.5	15	7.5	8
40	88	154	165	138.5 (138)	16	34	27	16	14	21.5	21.5	15	11	11.5

Cylinder I.D. (mm)	H	J	K	L	L1	M	P	P1	Q	S	T	T1	X	V
20	16.5	6	M 8	M20×1.5	20	8	29	8	12	25	12	26	G1/8	8
25	20.5	6	M10×1.25	M26×1.5	26	8	33.5	8	12	30	17	32	G1/8	10
32		6	M10×1.25	M26×1.5	26	8	37.5	10	20	34.5	17	32	G1/8	12
40	22.5	8	M14×1.5	M32×2.0	32	10	46.5	10	20	42.5	19	41	G1/4	16

■ Cylinder Theoretical Output Force Table

Cylinder I.D. (mm)	Operating Type	Compression area (mm ²)	Air pressure (MPa)						
			0.1	0.2	0.3	0.4	0.5	0.6	0.7
20	Push	314.0	31.4	62.8	94.2	125.6	157.0	188.4	219.8
	Pull	263.8	26.4	52.8	79.1	105.5	131.9	158.3	184.6
25	Push	490.6	49.1	98.1	147.2	196.3	245.3	294.4	343.4
	Pull	412.1	41.2	82.4	123.6	164.9	206.1	247.3	288.5
32	Push	803.8	80.4	160.8	241.2	321.5	401.9	482.3	562.7
	Pull	690.8	69.1	138.2	207.2	276.3	345.4	414.5	483.6
40	Push	1256.0	125.6	251.2	376.8	502.4	628.0	753.6	879.2
	Pull	1055.0	105.5	211.0	316.5	422.0	527.5	633.0	738.5

■ Cylinder Specifications

Cylinder I.D. (mm)	20~40
Operating Type	Double Acting
Fluid Used	Air (filtered through the filter screen of 40 μm)
Operating Pressure Range Mpa(psi)	0.1~1 (14~145)
Guaranteed Pressure Resistance Mpa(psi)	1.5(215)
Operating Temperature °C	-20~70
Operating Speed Range mm/s	30~800
Stroke Tolerance Range	0~150 ^{+1.0} >0~150 ^{+1.5}
Cushion Mechanism	Anti-collision pad

■ Magnetic Switch Specification

Item	Electronic Sensor			Reed Sensor
	2-Wire Type	NPN 3-Wire Type	PNP 3-Wire Type	2-Wire Type
Voltage	10V~28V DC	5V~30V DC		5V~240V AC/DC
Max. Switching Current	2.5mA~100mA	30/200mA Max.		100mA
Max. Contact Capacity	2.8W Max.	6W Max.		10W Max.
Internal Consumption Current	3mA Max.	5mA Max.		-
Leakage Current	0.05mA Max.	0.01mA Max.		-
Protection Circuit	Power polarity reverse protection, surge absorption protection			-
Operating Temperature	-10°C~70°C			
Protection Rating	General IP64			

MISUMI contact

Tel: 038-959200 or 1382
Email: cs@misumi.co.th

MISUMI WEB "Chat"



Install MISUMI APP



14

Air Cylinders / Valves / Regulators / Shock Absorbers / O-Rings

Cylinders and Accessories P.951

Shock Absorber

P.991

Rod End Bearings

P.999

Floating Joint

P.1004

Silencer

P.1006

Control Valves and Accessories

P.1007

Air Source Handling

P.1015

O-Rings

P.1027

New Products

Representative model: E-MCPIS10-25-BB-NB-NR-NS

Save Up to **71%** vs Standard Type

Shipping from **10 days**

288 THB

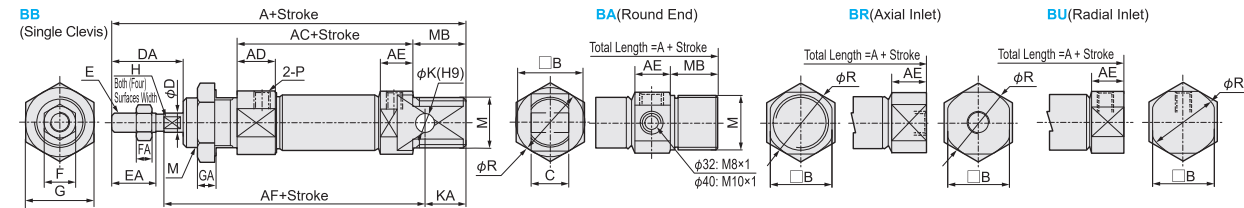
Volume Discount

Quantity	1~3	4~5	6~
Discount	Unit Price	15%	30%

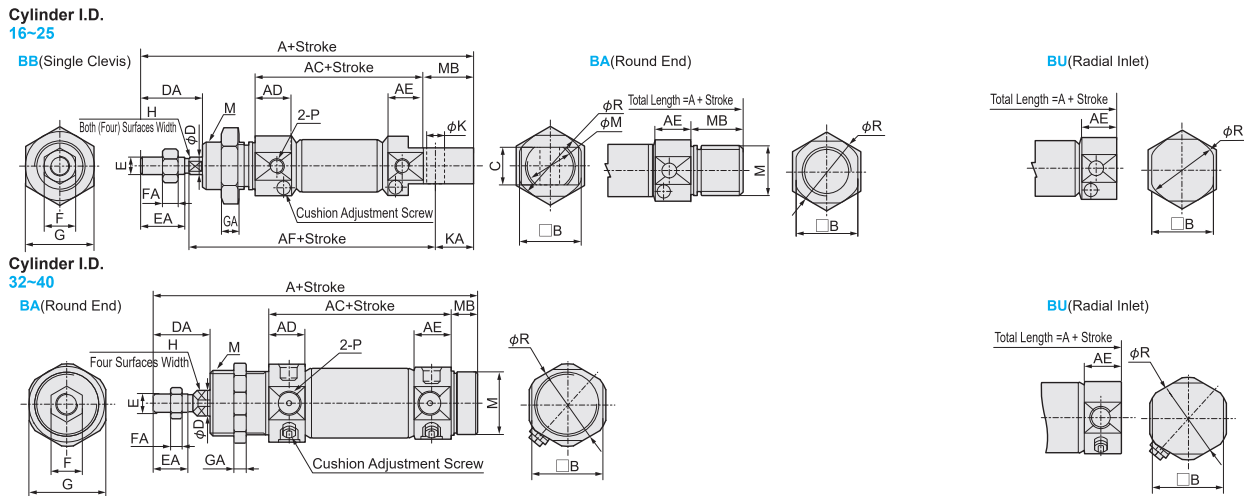


Shipping days may differ by Quantity.
Quantity of volume discount above is for representative Part No. It may differ by the Part.

Without Air Cushion **E-MCPIS**



With Air Cushion **E-MCPICS**



Material: Cylinder Block Material Stainless Steel

Part Number	Part Number		4 Cylinder End Type	5 Fixing Method*2	6 Rod End Joint*3	Magnetic Switch*4	
	1 Type	2 Cylinder I.D. (mm)				7 Type	8 Quantity
E-MCPIS (Without Air Cushion, With Magnetic Ring)	10	10 15 20 25 30 40 50 60 75 80 100 125 150 160 175 200	BB (Single Clevis) BU (Radial Inlet)	NB (Without Bracket) FB (Foot Bracket)	NR (Without Joint) SJ (Single Clevis Joint) DJ (Double Clevis Joint) FJ (Floating Joint)	NS (Without Magnetic Switch) CGM (Reed Magnetic Switch) DGM (Electronic Magnetic Switch-2-Wire Type) DGN (Electronic Magnetic Switch-3-Wire NPN Type) DGP (Electronic Magnetic Switch-3-Wire PNP Type)	(With NS Type, no need to specify Qty) 1 2
	12	10 15 20 25 30 40 50 60 75 80 100 125 150 160 175 200 250		FR (Flange) PB (Trunnion Support) CT (Trunnion Bracket)			
E-MCPIS (Without Air Cushion, With Magnetic Ring)	16		BA (Round End) BB (Single Clevis)				
	20	10 15 20 25 30 40 50 60 75 80	BR (Axial Inlet)*1				
	25	100 125 150 175 200 250 300	BU (Radial Inlet)				
E-MCPICS (With Air Cushion, With Magnetic Ring)	32	350 400 450 500	BA (Round End) BR (Axial Inlet)*1				
	40		BU (Radial Inlet)				

(*1) BR (axial inlet) option is not available for cylinders with air cushion.
 (*2) References for fixing accessories: FB (Foot Bracket) P.982, FR (Flange) P.984, PB (Trunnion Support) P.989, CT (Trunnion Bracket) P.988. Cylinder diameters 32/40 are not available with FR (rod end flange), foot bracket unable to match with flat end cylinder, and trunnion support is only available for single clevis cylinder, fixing accessory.
 (*3) For rod end joint, refer to P.1003~P.1004.
 (*4) Cylinders are supplied with magnetic rings as standard. The magnetic switch has a 2-meter long wire. Refer to P.990.

Ordering Example: Please order after selecting part number and parameters according to the selection steps 1 to 8.
 Part Number (1)Type · (2)Cylinder I.D.) - (3)Stroke - (4)Cylinder End Type - (5)Fixing Method - (6)Rod End Joint - (7)Type · (8)Quantity
E-MCPIS10 - 25 - BB - NB - NR - NS

How to search on website

By Type: Search on MISUMI official website **E-MCPIS**

By Keyword: Step 1 Search on MISUMI official website **pen cylinder** Step 2 Select MISUMI economy series brand **MISUMI economy**

- 14 Cylinders and Accessories / Regulators / Shock Absorbers / O-Rings
- P.951 Shock Absorber
- P.991 Rod End Bearings
- P.999 Floating Joint
- P.1004 Silencer
- P.1006 Control Valves and Accessories
- P.1007 Air Source Handling
- P.1015 O-Rings
- P.1027

■ Without Air Cushion E-MCPIS

Cylinder I.D. (mm) End Type	A				AC	AD	AE		AF	B	C	D	DA	E
	BB	BU	BR	BA			BB	BU/BR/BA						
10	86	74	-	-	46	11.5	9.5	9.5	64	15	8	4	16	M4×0.7
12	105	88	-	-	50	12.5	10.5	10.5	75	18	12	6	21	M6×1.0
16	111	94	94	111	56	12.5	10.5	10.5	82	20	12	6	21	M6×1.0
20	126	106	106	126	62	14.5	14.5	14.5	95.5	25	16	8	24	M8×1.25
25	137	114.5	115	137	65	16	16	16	104.5	30	16	10	28	M10×1.25
32	-	125	126	140	-	16.5	-	16.5	-	34.5	-	12	28	M10×1.25
40	-	158	158	174	-	22	-	22	-	42.5	-	16	34	M12×1.25

Cylinder I.D. (mm) End Type	EA	F	FA	G	GA	H	K	KA	M	MB	P	R
	10	10.5	7	3	17	6	-	4	10	M12×1.25	12	M5×0.8
12	14.5	10	5	22	6	5	6	14	M16×1.5	17	M5×0.8	20
16	14.5	10	5	22	6	5	6	13	M16×1.5	17	M5×0.8	22
20	18	12	6	29	7	6	8	11	M22×1.5	20	G1/8	29
25	20	17	6	29	7	8	8	11	M22×1.5	22	G1/8	33.5
32	18.5	17	6	36	7	10	-	-	M30×1.5	14	G1/8	37.5
40	22.5	17	7	46	8	14	-	-	M38×1.5	16	G1/4	46.5

■ With Air Cushion E-MCPICS Cylinder I.D. φ16-φ25

Cylinder I.D. (mm) End Type	A		AC	AD	AE		AF	B	C	D	DA	E	EA
	BB/BA	BU			BB/BA	BU							
16	111	94	56	12.5	12	12	82	20	12	6	21	M6×1.0	14.5
20	126	106	62	14.5	14.5	14.5	95.5	25	16	8	24	M8×1.25	18
25	137	113.5	65	16	16	14.5	104.5	30	16	10	28	M10×1.25	20

Cylinder I.D. (mm)	F	FA	G	GA	H	K	KA	M	MB	P	R
16	10	5	22	6	5	6	13	M16×1.5	17	M5×0.8	22
20	12	6	29	7	6	8	11	M22×1.5	20	G1/8	29
25	17	6	29	7	8	8	11	M22×1.5	22	G1/8	33.5

■ With Air Cushion E-MCPICS Cylinder I.D. φ32-φ40

Cylinder I.D. (mm) End Type	A		AC	AD	AE		B	D	DA	E	EA	F	FA	G	GA	H	M	MB	P	R
	BU	BA			BU	BA														
32	124	140	68	16.5	14.5	16.5	34.5	12	28	M10×1.25	18.5	17	6	36	7	10	M30×1.5	14	G1/8	37.5
40	157.5	174	89	22	21.5	22	42.5	16	34	M12×1.25	22.5	17	7	46	8	14	M38×1.5	16	G1/4	46.5

■ Cylinder Theoretical Output Force Table

Unit: Newton (N)

Cylinder I.D. (mm)	Operating Type	Compression area (mm ²)	Air pressure (MPa)						
			0.1	0.2	0.3	0.4	0.5	0.6	0.7
10	Push	78.5	7.9	15.7	23.6	31.4	39.3	47.1	55.0
	Pull	65.9	6.6	13.2	19.8	26.4	33.0	39.5	46.1
12	Push	113.0	11.3	22.6	33.9	45.2	56.5	67.8	79.1
	Pull	84.8	8.5	17.0	25.4	33.9	42.4	50.9	59.4
16	Push	201.0	20.1	40.2	60.3	80.4	100.5	120.6	140.7
	Pull	172.7	17.3	34.5	51.8	69.1	86.4	103.6	120.9
20	Push	314.0	31.4	62.8	94.2	125.6	157.0	188.4	219.8
	Pull	263.8	26.4	52.8	79.1	105.5	131.9	158.3	184.6
25	Push	490.6	49.1	98.1	147.2	196.3	245.3	294.4	343.4
	Pull	412.1	41.2	82.4	123.6	164.9	206.1	247.3	288.5
32	Push	803.8	80.4	160.8	241.2	321.5	401.9	482.3	562.7
	Pull	690.8	69.1	138.2	207.2	276.3	345.4	414.5	483.6
40	Push	1256.0	125.6	251.2	376.8	502.4	628.0	753.6	879.2
	Pull	1055.0	105.5	211.0	316.5	422.0	527.5	633.0	738.5

■ Cylinder Specifications

Cylinder I.D. (mm)	10~40
Operating Type	Double Acting
Fluid Used	Air (filtered through the filter screen of 40 μm)
Operating Pressure Range Mpa(psi)	0.15~1 (14~145)
Guaranteed Pressure Resistance Mpa(psi)	1.5(215)
Operating Temperature °C	-20~70
Operating Speed Range mm/s	30~800
Stroke Tolerance Range	0~150 ^{+1.0} >0~150 ^{+1.5}
Cushion Mechanism	Anti-collision pad

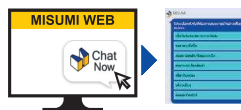
■ Magnetic Switch Specification

Item	Electronic Sensor			Reed Sensor
	Type	2-Wire Type	NPN 3-Wire Type	PNP 3-Wire Type
Voltage	10V~28V DC	5V~30V DC	5V~240V AC/DC	-
Max. Switching Current	2.5mA~100mA	30/200mA Max.	100mA	-
Max. Contact Capacity	2.8W Max.	6W Max.	10W Max.	-
Internal Consumption Current	3mA Max.	5mA Max.	-	-
Leakage Current	0.05mA Max.	0.01mA Max.	-	-
Protection Circuit	Power polarity reverse protection, surge absorption protection			-
Operating Temperature	-10°C~70°C			-
Protection Rating	General IP64			-

MISUMI contact

Tel: 038-959200 or 1382
Email: cs@misumi.co.th

MISUMI WEB "Chat"



Install MISUMI APP



14

Air Cylinders / Valves / Regulators / Shock Absorbers / O-Rings

Cylinders and Accessories P.951

Shock Absorber P.991

Rod End Bearings P.999

Floating Joint P.1004

Silencer P.1006

Control Valves and Accessories P.1007

Air Source Handling P.1015

O-Rings P.1027

New Products

Representative model: E-MCPBS10-25-BR-NB-NR-NS

Save Up to **81%**
vs Standard Type

Shipping
from
10 days

184 THB

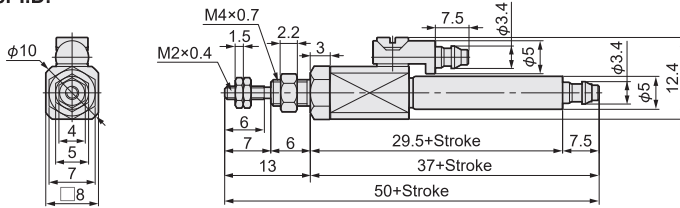
Volume Discount

Quantity	1~9	10~14	15~
Discount	Unit Price	15%	30%

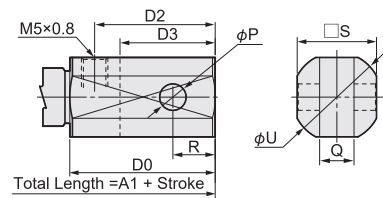


Shipping days may differ by Quantity.
Quantity of volume discount above is for representative Part No. It may differ by the Part.

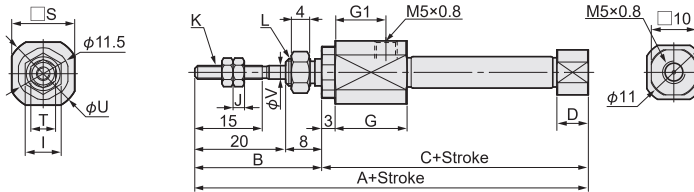
Cylinder I.D.
4



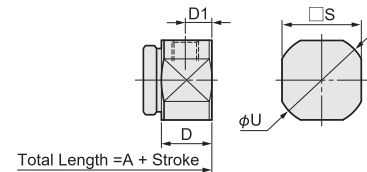
BD(Double Clevis)



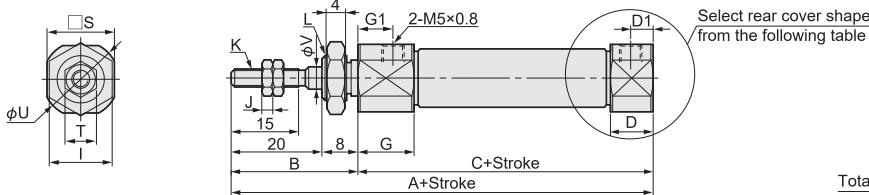
Cylinder I.D.
6



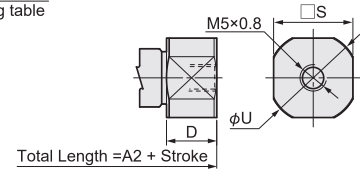
BU(Radial Inlet)



Cylinder I.D.
10~16



BR(Axial Inlet)



Material: Cylinder Block Material Stainless Steel

Part Number		③ Stroke (mm)	④ Cylinder End Type	⑤ Fixing Method*1	⑥ Rod End Joint*2	Magnetic Switch*3	
① Type	② Cylinder I.D. (mm)					⑦ Type	⑧ Quantity
E-MCPB (Without Magnetic Ring)	4	5 10 15 20	BR(Axial Inlet)	NB(Without Bracket)	NR(Without Joint)	NS(Without Magnetic Switch)	
	6	5 10 15 20 25 30 35 40 50 60				(With NS Type, no need to specify Qty)	
E-MCPBS (With Magnetic Ring)	10	5 10 15 20 25 30 40 50 60 75 80	BD(Double Clevis) BR(Axial Inlet) BU(Radial Inlet)	NB(Without Bracket) FB(Foot Bracket) FR(Flange)	NR(Without Joint) SJ(Single Clevis Joint) DJ(Double Clevis Joint) FJ(Floating Joint)	NS(Without Magnetic Switch) CGM(Reed Magnetic Switch) DGM(Electronic Magnetic Switch-2-Wire Type) DGN(Electronic Magnetic Switch-3-Wire NPN Type) DGP(Electronic Magnetic Switch-3-Wire PNP Type)	
	12	100 125 150 160 175 200				1	
	16	5 10 15 20 25 30 40 50 60 75 80 100 125 150 160 175 200 250 300				2	

*1) References for fixing accessories: FB (Foot Bracket)P.982, FR (Flange)P.984

*2) For rod end joint, refer to P.1003~P.1004.

*3) Magnetic switch is not available for cylinder without magnetic ring. The magnetic switch has a 2-meter long wire. Refer to P.990.

Ordering Example

Please order after selecting part number and parameters according to the selection steps ① to ⑧.

Part Number (①Type · ②Cylinder I.D.) - ③Stroke - ④Cylinder End Type - ⑤Fixing Method - ⑥Rod End Joint - ⑦Type · ⑧Quantity

E-MCPBS10 - 25 - BR - NB - NR - NS

How to search on website



By Type: Search on MISUMI official website
E-MCPBS

By Keyword: Step 1 Search on MISUMI official website
pen cylinder

Step 2 Select MISUMI economy series brand



■ **External Dimensions Table** Refer to the drawing for the dimensions of cylinder diameter $\phi 4$

Cylinder I.D. (mm)	A	A1	A2	B	C	D	D0	D1	D2	D3	G	G1
6	77.5	-	-	28	49.5	6.7	-	-	-	-	15.5	11.5
10	74	87	74	28	46	9.5	22.5	5	18	13	11.5	7.5
12	74	92	74	28	46	9.5	27.5	5	23	18	11.5	7.5
16	76	94	76	28	48	9.5	27.5	5	23	18	12	7.5

Cylinder I.D. (mm)	I	J	K	L	P	Q	R	S	T	U	V
6	10	2.4	M3	M 6×1.0	-	-	-	12	5.5	14	3
10	11	2.2	M4	M 8×1.0	3.3	3.3	5	12	7	14	4
12	14	4	M5	M10×1.0	5	6.6	8	15	8	17	5
16	14	4	M5	M10×1.0	5	6.6	8	18	8	20	5

■ **Cylinder Theoretical Output Force Table**

Unit: Newton (N)

Cylinder I.D. (mm)	Operating Type	Compression area (mm ²)	Air pressure (MPa)						
			0.1	0.2	0.3	0.4	0.5	0.6	0.7
4	Push	12.6	1.3	2.5	3.8	5.0	6.3	7.5	8.8
	Pull	9.4	0.9	1.9	2.8	3.8	4.7	5.7	6.6
6	Push	28.3	2.8	5.7	8.5	11.3	14.1	17.0	19.8
	Pull	21.2	2.1	4.2	6.4	8.5	10.6	12.7	14.8
10	Push	78.5	7.9	15.7	23.6	31.4	39.3	47.1	55.0
	Pull	65.9	6.6	13.2	19.8	26.4	33.0	39.6	46.2
12	Push	113.0	11.3	22.6	33.9	45.2	56.5	67.8	79.1
	Pull	93.4	9.3	18.7	28.0	37.4	46.7	56.0	65.4
16	Push	201.0	20.1	40.2	60.3	80.4	100.5	120.6	140.7
	Pull	181.3	18.1	36.3	54.4	72.5	90.7	108.8	126.9

■ **Cylinder Specifications**

Cylinder I.D. (mm)	4	6~16
Operating Type	Double Acting	
Fluid Used	Air (filtered through the filter screen of 40 μ m)	
Operating Pressure Range Mpa(psi)	0.2~0.7 (28~100)	0.15~0.7 (22~100)
Guaranteed Pressure Resistance Mpa(psi)	1.2(175)	
Operating Temperature °C	-20~70	
Operating Speed Range mm/s	30~500	50~800
Cushion Mechanism	Without Cushion	Anti-collision pad

■ **Magnetic Switch Specification**

Item	Electronic Sensor		Reed Sensor
	2-Wire Type	NPN 3-Wire Type PNP 3-Wire Type	2-Wire Type
Voltage	10V~28V DC	5V~30V DC	5V~240V AC/DC
Max. Switching Current	2.5mA~100mA	30/200mA Max.	100mA
Max. Contact Capacity	2.8W Max.	6W Max.	10W Max.
Internal Consumption Current	3mA Max.	5mA Max.	-
Leakage Current	0.05mA Max.	0.01mA Max.	-
Protection Circuit	Power polarity reverse protection, surge absorption protection		-
Operating Temperature	-10°C~70°C		-
Protection Rating	General IP64		-

14

Air Cylinders / Valves / Regulators / Shock Absorbers / O-Rings

Cylinders and Accessories P.951

Shock Absorber

P.991

Rod End Bearings

P.999

Floating Joint

P.1004

Silencer

P.1006

Control Valves and Accessories

P.1007

Air Source Handling

P.1015

O-Rings

P.1027

MISUMI contact

Tel: 038-959200 or 1382
Email: cs@misumi.co.th

MISUMI WEB "Chat"



Install MISUMI APP



New Products

Representative model: E-MCPE6-5-TM

Save Up to **70%** vs Standard Type

184 THB

Shipping from **1 day**

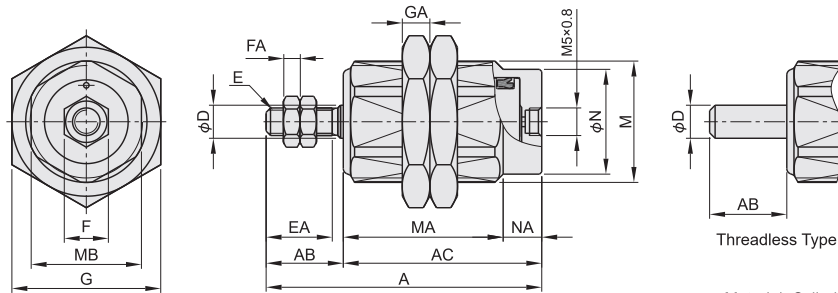


Volume Discount

Quantity	1~9	10~14	15~
Discount	Unit Price	15%	30%



Shipping days may differ by Quantity.
Quantity of volume discount above is for representative Part No. It may differ by the Part.



Material: Cylinder Block Material Copper
Surface Treatment: Electroless Nickel Plating

Part Number		3 Stroke (mm)	4 Piston Rod End
1 Type	2 Cylinder I.D. (mm)		
E-MCPE	6	5 10 15	TM(Male Thread) TN(Threadless)
	8		
	10		
	12		
	16		

Cylinder Specifications

I.D. (mm)	6~8	12~16
Operating Type	Single Acting	
Fluid Used	Air (filtered through the filter screen of 40 μm)	
Operating Pressure Range Mpa(psi)	0.2~0.7 (28~100)	0.15~1 (22~145)
Guaranteed Pressure Resistance Mpa(psi)	1.2(175)	
Operating Temperature °C	-20~70	
Operating Speed Range mm/s	30~500	
Cushion Mechanism	Anti-collision pad	

Ordering Example

Please order after selecting part number and parameters according to the selection steps 1 to 4.

Part Number (1 Type · 2 Cylinder I.D.) - 3 Stroke - 4 Piston Rod End
E-MCPE6 - 5 - TM

Cylinder I.D. (mm) ###	A			AB	AC			MA			D	E	EA	F	FA	G	GA	M	MB	N	NA
	5	10	15		5	10	15	5	10	15											
6	30.5	37.5	44.5	9	21.5	28.5	35.5	15.5	22.5	29.5	3	M3x0.5	7	5.5	2.4	14	4	M10x1.0	9	8.5	6
8	34.5	41.5	48.5	12	22.5	29.5	36.5	16.5	23.5	30.5	4	M4x0.7	10	7	3	17	4	M12x1.0	11	10	6
10	35	42	49	12	23	30	37	17	24	31	5	M4x0.7	10	7	3	19	4	M16x1.5	14	12	6
12	37.5	43.5	49.5	12	25.5	31.5	37.5	19.5	25.5	31.5	6	M5x0.8	10	8	3	24	5	M18x1.5	16	15	6
16	40.5	46.5	52.5	14	26.5	32.5	38.5	19.5	25.5	31.5	6	M5x0.8	12	8	3	27	5	M22x1.5	20	19	7

Cylinder Theoretical Output Force Table

Cylinder I.D. (mm)	Operating Type	Compression area (mm²)	Air pressure (MPa)						
			0.2	0.3	0.4	0.5	0.6	0.7	
6	Push	28.3	1.8	4.6	7.4	10.3	13.1	15.9	
	Pull	21.2		1.6					
8	Push	50.3	4.8	9.8	14.8	19.9	24.9	29.9	
	Pull	37.7		2.7					
10	Push	78.5	9.4	17.3	25.1	33.0	40.8	48.7	
	Pull	58.9		2.8					
12	Push	113.0	13.3	24.6	35.9	47.2	58.5	69.8	
	Pull	84.7		3.45					
16	Push	201.0	29.4	49.5	69.6	89.7	109.8	129.9	
	Pull	172.7		4.8					

How to search on website

By Type: Search on MISUMI official website
E-MCPE

By Keyword: Step 1 Search on MISUMI official website
pen cylinder

Step 2 Select MISUMI economy series brand
 MISUMI MISUMI economy

MISUMI contact

Tel: 038-959200 or 1382
Email: cs@misumi.co.th

MISUMI WEB "Chat"



Install MISUMI APP



14

Air Cylinders / Valves / Regulators / Shock Absorbers / O-Rings

Cylinders and Accessories P.951

Shock Absorber

P.991

Rod End Bearings

P.999

Floating Joint

P.1004

Silencer

P.1006

Control Valves and Accessories

P.1007

Air Source Handling

P.1015

O-Rings

P.1027

New Products

Representative model: E-MCPGS6-5-TM-NB-NR-NS



344

THB

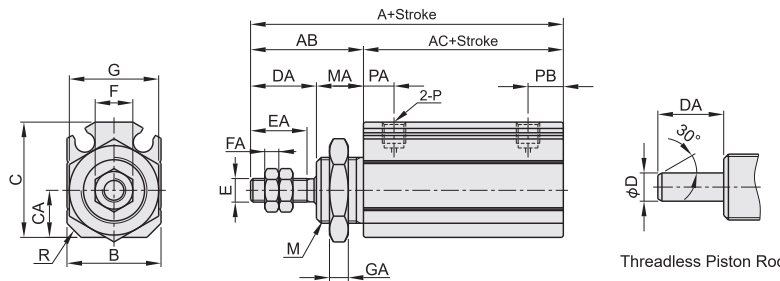
Shipping from 10 days

Volume Discount

Quantity	1~3	4~5	6~
Discount	Unit Price	15%	63%



Shipping days may differ by Quantity.
Quantity of volume discount above is for representative Part No. It may differ by the Part.



Threadless Piston Rod

Material: Cylinder Block Material Aluminum Alloy
Surface Treatment: Anodized

Part Number		③ Stroke (mm)	④ Piston Rod End	⑤ Fixing Method*1	⑥ Rod End Joint*2	Magnetic Switch*3	
① Type	② Cylinder I.D. (mm)					⑦ Type	⑧ Quantity
E-MCPG (Without Magnetic Ring)	6	5 10 15 20 25	TM (Male Thread) TN (Threadless)	NB (Without Bracket) FB (Foot Bracket) FR (Flange)	NR (Without Joint) SJ (Single Clevis Joint) DJ (Double Clevis Joint)	NS (Without Magnetic Switch)	(With NS Type, no need to specify Qty)
	8					CHM (Reed Magnetic Switch)	
E-MCPGS (With Magnetic Ring)	10	5 10 15 20 25 30 35 40				DHM (Electronic Magnetic Switch-2-Wire Type)	1
	12					DHN (Electronic Magnetic Switch-3-Wire NPN Type)	
	16					DHP (Electronic Magnetic Switch-3-Wire PNP Type)	

- *1) References for fixing accessories: FB (Foot Bracket)P.982, FR (Flange)P.984
- *2) Piston rod end threadless type, rod end joint are not provided. For rod end joint, refer to P.1003~P.1004.
- *3) Magnetic switch is not available for cylinder without magnetic ring. The magnetic switch has a 2-meter long wire. Refer to P.990.

Ordering Example

Please order after selecting part number and parameters according to the selection steps ① to ⑧.

Part Number (①Type · ②Cylinder I.D.) - ③Stroke - ④Piston Rod End - ⑤Fixing Method - ⑥Rod End Joint - ⑦Type · ⑧Quantity

E-MCPGS6 - 5 - TM - NB - NR - NS

Cylinder I.D. (mm)	A		AB	AC		B	C	CA	D	DA	E	EA	F	FA	G	GA	M	MA	P	PA	PB	R
	Non-magnetized	Magnetized		Non-magnetized	Magnetized																	
6	33	38	17	16	21	14	16.5	6	3	9	M3×0.5	7	5.5	2.4	13	4	M10×1.0	8	M3×0.5	5.5	6.5	2
8	38	43	20	18	23	14.5	17.5	7	4	12	M4×0.7	10	7	3	17	4	M12×1.0	8	M3×0.5	6	7	2
10	39.5	44.5	20	19.5	24.5	15	19	7	4	12	M4×0.7	10	7	3	17	4	M12×1.0	8	M3×0.5	6	7	2.5
12	43.5	48.5	24	19.5	24.5	17	21.5	8.5	6	14	M5×0.8	12	8	3	19	4	M14×1.0	10	M5×0.8	6.5	7.5	2.5
16	43.5	48.5	24	19.5	24.5	20	24.5	10	6	14	M5×0.8	12	8	3	19	4	M14×1.0	10	M5×0.8	6.5	7.5	3

Cylinder Theoretical Output Force Table

Unit: Newton (N)

Cylinder I.D. (mm)	Piston Rod O.D.	Operating Type	Compression area (mm²)	Air pressure (MPa)							
				0.1	0.2	0.3	0.4	0.5	0.6	0.7	
6	3	Double Acting	Push	28.3	2.8	5.7	8.5	11.3	14.2	17.0	19.8
				Pull	21.2	2.1	4.2	6.4	8.5	10.6	12.7
8	4	Double Acting	Push	50.3	5.0	10.1	15.1	20.1	25.2	30.2	35.2
				Pull	37.7	3.8	7.5	11.3	15.1	18.9	22.6
10	4	Double Acting	Push	78.5	7.9	15.7	23.6	31.4	39.3	47.1	55.0
				Pull	58.9	6.6	13.2	19.8	26.4	33.0	39.5
12	6	Double Acting	Push	113.0	11.3	22.6	33.9	45.2	56.5	67.8	79.1
				Pull	84.7	8.5	17.0	25.4	33.9	42.4	50.8
16	6	Double Acting	Push	201.0	20.1	40.2	60.3	80.4	100.5	120.6	140.7
				Pull	172.7	17.3	34.5	51.8	69.1	86.4	103.6

Magnetic Switch Specification

Item	Electronic Sensor			Reed Sensor
	2-Wire Type	NPN 3-Wire Type	PNP 3-Wire Type	2-Wire Type
Type	2-Wire Type	NPN 3-Wire Type	PNP 3-Wire Type	2-Wire Type
Voltage	10V~28V DC	5V~30V DC	5V~30V DC	5V~240V AC/DC
Max. Switching Current	2.5mA~100mA	30/200mA Max.	30/200mA Max.	100mA
Max. Contact Capacity	2.8W Max.	6W Max.	6W Max.	10W Max.
Internal Consumption Current	3mA Max.	5mA Max.	5mA Max.	-
Leakage Current	0.05mA Max.	0.01mA Max.	0.01mA Max.	-
Protection Circuit	Power polarity reverse protection, surge absorption protection			-
Operating Temperature	-10°C~70°C			-
Protection Rating	General IP64			-

Cylinder Specifications

Cylinder I.D. (mm)	6~16
Operating Type	Double Acting
Fluid Used	Air (filtered through the filter screen of 40 μm)
Operating Pressure Range Mpa(psi)	0.15~0.7 (22~100)
Guaranteed Pressure Resistance Mpa(psi)	1.2(175)
Operating Temperature °C	-20~70
Operating Speed Range mm/s	50~500
Cushion Mechanism	Without Cushion

14

Air Cylinders / Valves / Regulators / Shock Absorbers / O-Rings

Cylinders and Accessories P.951

Shock Absorber

P.991

Rod End Bearings

P.999

Floating Joint

P.1004

Silencer

P.1006

Control Valves and Accessories

P.1007

Air Source Handling

P.1015

O-Rings

P.1027

New Products

Representative model: E-MCQ-FB12

Save Up to **77%** vs Standard Type

166 THB

Shipping from **1 day**



Volume Discount

Quantity	4~9	10~14	15~
Discount	Unit Price	15%	30%

Shipping days may differ by Quantity.

Quantity of volume discount above is for representative Part No. It may differ by the Part.

14
Air Cylinders / Valves / Regulators / Shock Absorbers / O-Rings

Cylinders and Accessories
P.951

Shock Absorber
P.991

Rod End Bearings

Floating Joint
P.1004

Silencer

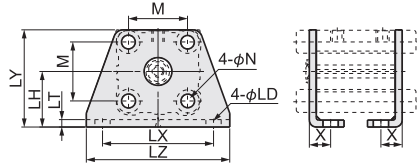
Control Valves and Accessories
P.1007

Air Source Handling
P.1015

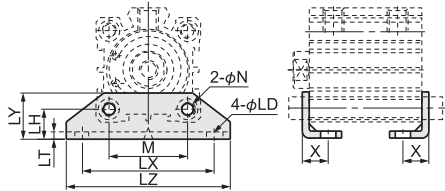
O-Rings
P.1027

For E-MCQ Compact Cylinder

12~25

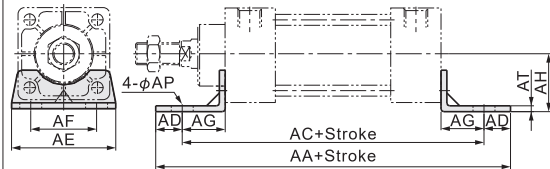


32~100



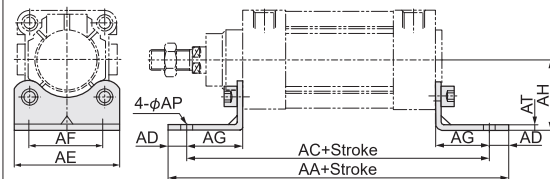
Material: Carbon Steel

For E-MCC Standard Cylinder



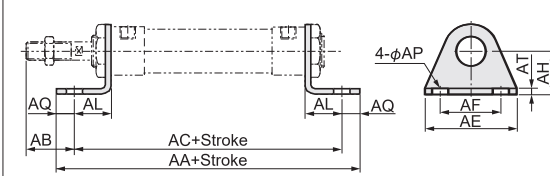
Material: Carbon Steel

For E-MCE Standard Cylinder



Material: Carbon Steel

For E-MCPA/E-MCPAL Pen Cylinder



Material: Carbon Steel

Part Number	Bracket		M	N	X	LD	LH	LT	LX	LY	LZ
	Type	Cylinder I.D. (mm)									
E-MCQ	FB	12	15.5	4.5	8	4.5	17	1.5	34	29.5	44
		16	20	4.5	8	4.5	19	2	38	33.5	48
		20	25.5	6.5	9.7	6.5	24	3	48	42	62
		25	28	6.5	11.2	6.5	26	3	52	46	66
		32	34	6.5	11.7	6.5	13	3	57	20	71
		40	40	6.5	11.7	6.5	12.5	3	64	20	78
		50	50	8.5	12.2	8.5	14	3	79	22	95
		63	60	11	16.2	10.5	16.5	3.5	95	26.5	113
		80	77	13	18.5	13	20.5	4.5	118	32	140
		100	94	14	23	13	24	6	137	36	162

Shipped in pairs

Part Number	Bracket		AA	AC	AD	AE	AF	AG	AH	AP	AT
	Type	Cylinder I.D. (mm)									
E-MCC	FB	32	153	134	9.5	50	33	20.5	28	9	3
		40	169	140	14.5	57	36	23.5	30	12	3
		50	173	149	12	68	47	28	36.5	12	3
		63	184	158	13	80	56	31	41	12	3
		80	199	167	16	97	70	30	49	14	4
		100	209	173	18	112	84	30	57	14	4

Shipped in pairs

Part Number	Bracket		AA	AC	AD	AE	AF	AG	AH	AP	AT
	Type	Cylinder I.D. (mm)									
E-MCE	FB	32	158	142	8	47	32	24	32	7	3
		40	179	161	9	53	36	28	36	9	3
		50	190	170	10	65	45	32	45	9	3
		63	209	185	12	75	50	32	50	9	3
		80	248	210	19	95	63	41	63	12.5	4
		100	266	220	23	115	75	41	71	14.5	4

Shipped in pairs

Part Number	Bracket		AA	AB	AC	AE	AF	AL	AQ	AP	AT	AH
	Type	Cylinder I.D. (mm)										
E-MCPA	FB	16	98	25	86	44	32	13	6	5.5	3	20
		20	122	25	106	54	40	15	8	6.5	3	25
		32	142	19	126	59	45	25	8	7	4	32
		40	142	21	126	64	50	25	8	7	4	36
		50	175	24	151	86	66	28	12	11	4.5	40
		63	183	21	157	106	82	31	13	11	4.5	45

Shipped in pairs

Cylinder Dia. 25 Universal Cylinder Dia. 20

How to search on website



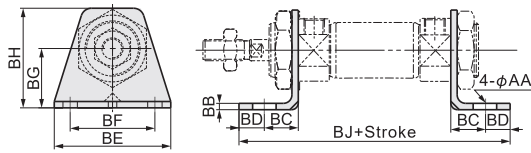
By **Type** Search on MISUMI official website
E-MCQ-FB

By **Keyword** Step 1 Search on MISUMI official website
cylinder support

Step 2 Select MISUMI economy series brand



For E-MCPF Pen Cylinder



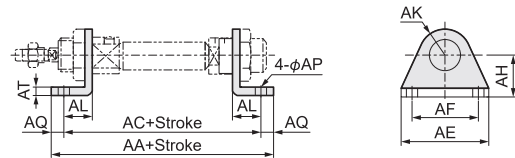
Material: Carbon Steel

Part Number	Bracket		AA	BB	BC	BD	BE	BF	BG	BH	BJ
	1 Type	2 Type									
E-MCPF	FB	20	7	3	20	8	55	40	25	40	118
		25	7	3	20	8	55	40	28	47	118
		40	7	3	23	10	75	55	30	54	154

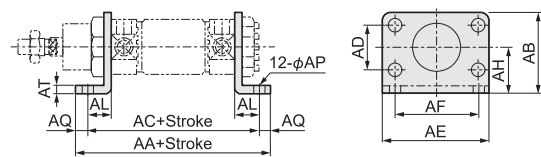
- ① Shipped in pairs
- ② Cylinder Dia. 32 Universal Cylinder Dia. 25

For E-MCPI Pen Cylinder

10-20



32, 40

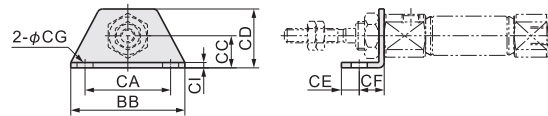


Material: Carbon Steel

Part Number	Bracket		AA	AB	AC	AD	AE	AF	AH	AK	AL	AP	AQ	AT
	1 Type	2 Type												
E-MCPI	FB	10	78	-	68	-	35	25	16	10	11	4.5	5	2
		12	90	-	78	-	42	32	20	13	14	5.5	6	2.5
		20	112	-	96	-	54	40	25	20	17	7	8	3
		32	110	49	96	28	66	52	28	-	14	7	7	3.5
40	149	58	129	30	80	60	33	-	20	9	10	3.5		

- ① Shipped in pairs
- ② Cylinder Dia. 16 Universal Cylinder Dia. 12, Cylinder Dia. 25 Universal Cylinder Dia. 20

For E-MCPB Pen Cylinder

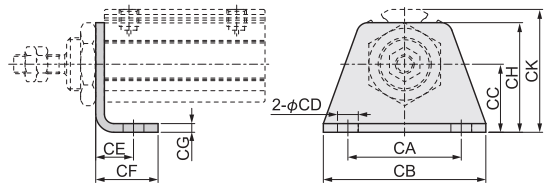


Material: Carbon Steel

Part Number	Bracket		CA	BB	CC	CD	CE	CF	CG	CI
	1 Type	2 Type								
E-MCPB	FB	6	24	32	9	16.5	5	7	4.5	1.5
		10	24	32	9	16.5	5	7	4.5	1.5
		12	33	42	14	25	6	9	5.5	2.5

- ① Shipped individually
- ② Cylinder Dia. 16 Universal Cylinder Dia. 12

For E-MCPG Pen Cylinder



Material: Carbon Steel

Part Number	Bracket		CA	CB	CC	CD	CE	CF	CG	CH	CK
	1 Type	2 Type									
E-MCPG	FB	6	20	28	11	3.4	6.5	10.5	1.5	19	21.5
		10	24	33	13	4.5	7	12	1.5	22	25
		16	30	43	18	5.5	10	16.5	2.5	29	32.5

- ① Shipped individually
- ② Cylinder Dia. 8 Universal Cylinder Dia. 10, Cylinder Dia. 12 Universal Cylinder Dia. 16

Ordering Example

Please order after selecting part number and parameters according to the selection steps ① to ③.

Part Number (①Type) - (②Type) · (③Cylinder I.D.)
E-MCQ - FB12

14

Air Cylinders / Valves / Regulators / Shock Absorbers / O-Rings

Cylinders and Accessories

P.951

Shock Absorber

P.991

Rod End Bearings

P.999

Floating Joint

P.1004

Silencer

P.1006

Control Valves and Accessories

P.1007

Air Source Handling

P.1015

O-Rings

P.1027

MISUMI contact

Tel: 038-959200 or 1382
Email: cs@misumi.co.th

MISUMI WEB "Chat"



Install MISUMI APP



New Products

Representative model: E-MCQ-FR12

Shipping from 1 day



123

THB

Volume Discount

Quantity	4~29	30~49	50~
Discount	Unit Price	15%	30%



Shipping days may differ by Quantity.
Quantity of volume discount above is for representative Part No. It may differ by the Part.

14
Air Cylinders / Valves / Regulators / Shock Absorbers / O-Rings

Cylinders and Accessories
P.951

Shock Absorber
P.991

Rod End Bearings
P.999

Floating Joint
P.1004

Silencer
P.1006

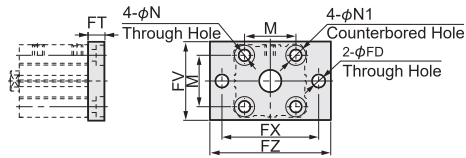
Control Valves and Accessories
P.1007

Air Source Handling
P.1015

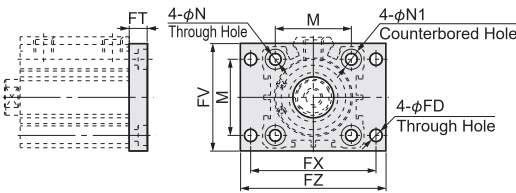
O-Rings
P.1027

For E-MCQ Compact Cylinder

12~25

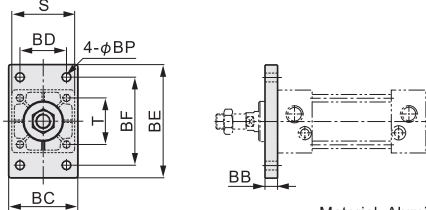


32~100



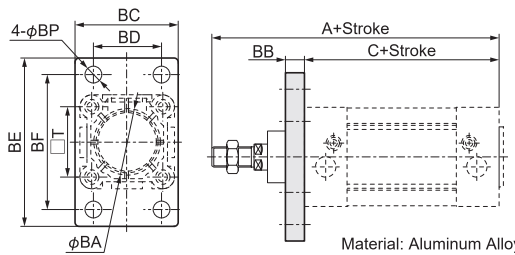
Material: Aluminum Alloy

For E-MCC Standard Cylinder



Material: Aluminum Alloy

For E-MCE Standard Cylinder



Material: Aluminum Alloy

Part Number	Bracket		M	N	N1	FD	FT	FV	FX	FZ
	1 Type	2 Type								
E-MCQ	FR	12	15.5	4.5	7.5	4.5	5.5	25	45	55
		16	20	4.5	7.5	4.5	5.5	30	45	55
		20	25.5	6.5	10.5	6.5	8	39	48	60
		25	28	6.5	10.5	6.5	8	42	52	64
		32	34	6.5	10.5	5.5	8	48	56	65
		40	40	6.5	10.5	5.5	8	54	62	72
		50	50	8.5	13.5	6.5	9	67	76	89
		63	60	10.5	16.5	9	10	80	92	108
		80	77	12.5	18.5	11	12	99	116	134
		100	94	12.5	18.5	11	12	117	136	154

Part Number	Bracket		BB	BC	BD	BE	BF	BP	S	T
	1 Type	2 Type								
E-MCC	FR	32	10	50	33	80	58	7	47	33
		40	10	55	36	90	70	7	53	37
		50	10	68	47	108	86	9	65	47
		63	12	78	56	120	98	9	75	56
		80	16	100	70	143	119	11	95	70
		100	16	120	84	162	138	11	115	84

Part Number	Bracket		A	C	BA	BB	BC	BD	BE	BF	BP	T
	1 Type	2 Type										
E-MCE	FR	32	142	94	30.5	10	47	32	80	64	7	32.5
		40	159	105	35.5	10	53	36	90	72	9	38
		50	175	106	40.5	12	65	45	108	90	9	46.5
		63	190	121	45.5	12	75	50	118	100	9	56.5
		80	214	128	45.5	16	95	63	150	126	12.5	72
		100	229	138	55.5	16	115	75	176	150	14.5	89

How to search on website



By Type

Search on MISUMI official website

E-MCQ-FR



By Keyword

Step 1 > Search on MISUMI official website

mount flange



Step 2 > Select MISUMI economy series brand

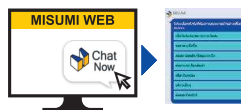
MISUMI



MISUMI contact

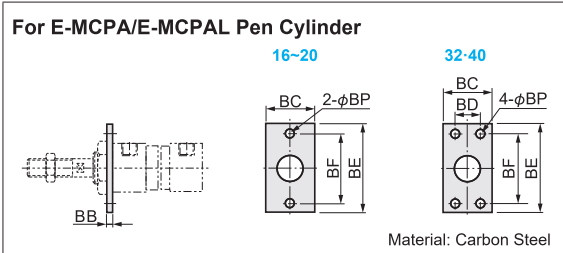
Tel: 038-959200 or 1382
Email: cs@misumi.co.th

MISUMI WEB "Chat"



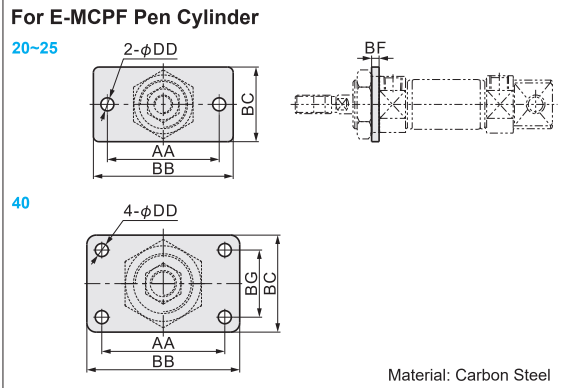
Install MISUMI APP





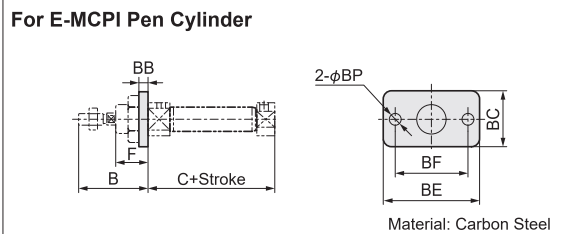
Part Number	Bracket		BB	BC	BD	BE	BF	BP
	①Type	②Type						
E-MCPA	FR	16	3	26	-	52	40	5.5
		20	4	38	-	64	50	6.5
		32	4	47	33	72	58	6.5
		40	4	50	36	84	70	6.5
		50	4.5	65	47	104	86	9

①Cylinder Dia. 25 Universal Cylinder Dia. 20, Cylinder Dia. 63 Universal Cylinder Dia. 50



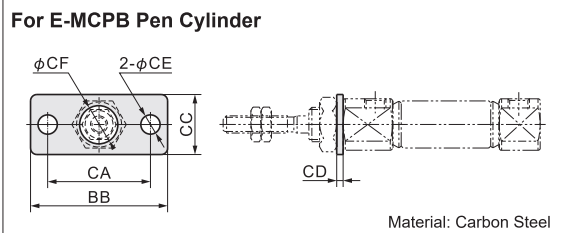
Part Number	Bracket		AA	BB	BC	DD	BF	BG
	①Type	②Type						
E-MCPF	FR	20	60	75	34	7	4	-
		25	60	75	40	7	4	-
		40	66	82	52	7	5	36

①Cylinder Dia. 32 Universal Cylinder Dia. 25



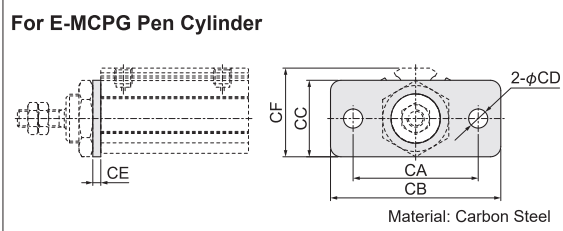
Part Number	Bracket		B	C	BB	BC	BE	BF	BP	F
	①Type	②Type								
E-MCPI	FR	10	28	46	2	22	40	30	4.5	12
		12	38	50	3	26	52	40	5.5	17
		20	44	62	3.5	38	64	50	7	20

①Cylinder Dia. 16 Universal Cylinder Dia. 12, Cylinder Dia. 25 Universal Cylinder Dia. 20



Part Number	Bracket		CA	BB	CC	CD	CE	CF
	①Type	②Type						
E-MCPB	FR	6	24	32	14	1.5	4.5	6.3
		10	24	32	14	1.5	4.5	8.3
		12	33	42	20	2.5	5.5	10.3

①Cylinder Dia. 16 Universal Cylinder Dia. 12



Part Number	Bracket		CA	CB	CC	CD	CE	CF
	①Type	②Type						
E-MCPG	FR	6	24	32	16	3.4	1.5	18.5
		10	28	37	18	4.5	1.5	21
		16	36	49	22	5.5	2.5	25.5

①Cylinder Dia. 8 Universal Cylinder Dia. 10, Cylinder Dia. 12 Universal Cylinder Dia. 16

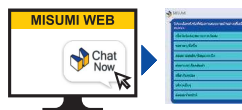
Ordering Example

Please order after selecting part number and parameters according to the selection steps ① to ③.
Part Number (①Type) - ②Type · ③Cylinder I.D.
E-MCQ - FR12

MISUMI contact

Tel: 038-959200 or 1382
 Email: cs@misumi.co.th

MISUMI WEB "Chat"



Install MISUMI APP



New Products

Representative model: E-MCC-SC32



Shipping from 1 day

184 THB

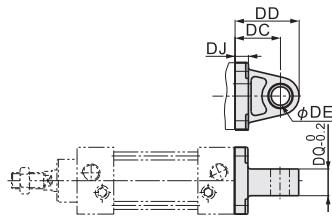
Volume Discount

Quantity	2~9	10~14	15~
Discount	Unit Price	15%	30%



Shipping days may differ by Quantity.
Quantity of volume discount above is for representative Part No. It may differ by the Part.

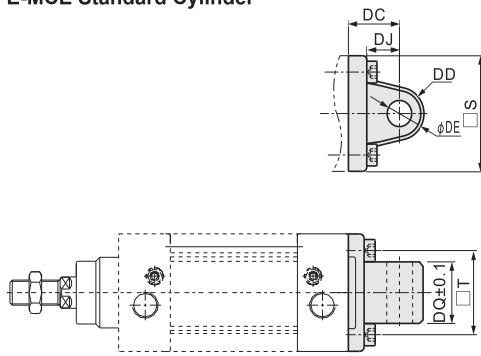
For E-MCC Standard Cylinder



Material: Cast Steel

Part Number	Bracket		DC	DD	DE	DJ	DQ
	1 Type	2 Type					
E-MCC	SC	32	34	48	12	10	16
		40	34	48	14	10	20
		50	34	49	14	10	20
		63	34	49	14	10	20
		80	48	68	20	14	32
		100	48	68	20	14	32

For E-MCE Standard Cylinder



Material: Cast Steel

Part Number	Bracket		S	T	DC	DD	DE	DJ	DQ
	1 Type	2 Type							
E-MCE	SC	32	46.5	32.5	22	10.5	10	13	25.8
		40	54	38	25	12	12	16	27.8
		50	64	46.5	27	12	12	17	31.7
		63	75	56.5	32	15	16	22	39.7
		80	93	72	36	15.5	16	22	49.7
		100	110	89	41	20	20	27	59.7

Ordering Example

Please order after selecting part number and parameters according to the selection steps 1 to 3.

Part Number (1 Type) - (2 Type) · (3 Cylinder I.D.)
E-MCC - SC32

How to search on website



By Type: Search on MISUMI official website
E-MCC-SC

By Keyword: Step 1 Search on MISUMI official website
clevis

Step 2 Select MISUMI economy series brand

MISUMI MISUMI economy

MISUMI contact

Tel: 038-959200 or 1382
Email: cs@misumi.co.th

MISUMI WEB "Chat"



Install MISUMI APP



14

Air Cylinders / Valves / Regulators / Shock Absorbers / O-Rings

Cylinders and Accessories P.951

Shock Absorber

P.991

Rod End Bearings

P.999

Floating Joint

P.1004

Silencer

P.1006

Control Valves and Accessories

P.1007

Air Source Handling

P.1015

O-Rings

P.1027

New Products



Representative model: E-MCQ-DC12

Save Up to **86%** vs Standard Type

298

THB

Shipping from **1** day

Volume Discount

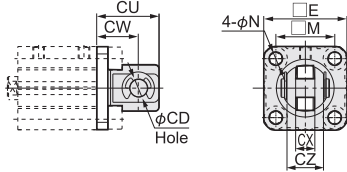
Quantity	2~3	4~5	6~
Discount	Unit Price	15%	30%



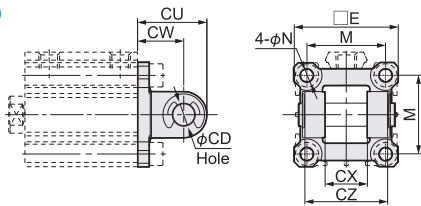
Shipping days may differ by Quantity.
Quantity of volume discount above is for representative Part No. It may differ by the Part.

For E-MCQ Compact Cylinder

12~25



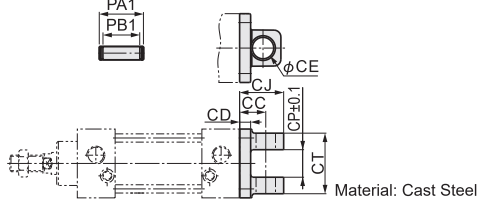
32~100



Material: φ12~φ25 Carbon Steel
φ32~φ100 Cast Steel

Part Number	Bracket		E	M	N	CD	CU	CW	CX	CZ
	1 Type	2 Type								
E-MCQ	DC	12	25	15.5	4.5	5	20	14	5.3	9.8
		16	29	20	4.5	5	21	15	6.8	11.8
		20	36	25.5	6.5	8	27	18	8.3	15.8
		25	40	28	6.5	10	30	20	10.3	19.8
		32	45.5	34	6.5	10	30	20	18.3	35.8
		40	53.5	40	6.5	10	32	22	18.3	35.8
		50	64.5	50	8.5	14	42	28	22.3	43.8
		63	77.5	60	10.5	14	44	30	22.3	43.8
		80	98.5	77	12.5	18	56	38	28.3	55.8
		100	117.5	94	12.5	22	67	45	32.3	63.8

For E-MCC Standard Cylinder

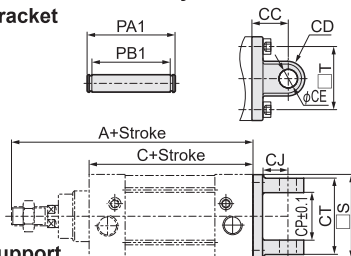


Material: Cast Steel

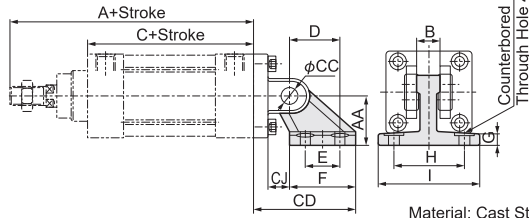
Part Number	Bracket		CC	CD	CE	CJ	CP	CT	PA1	PB1
	1 Type	2 Type								
E-MCC	DC	32	19	10	12	32	16.3	32	39	32.8
		40	19	10	14	32	20.3	44	51	44.8
		50	19	10	14	34	20.3	52	59	52.8
		63	19	10	14	34	20.3	52	59	52.8
		80	32	14	20	53	32.3	64	73	64.8
		100	32	14	20	53	32.3	64	73	64.8

For E-MCE Standard Cylinder

Bracket



Support



Material: Cast Steel

Bracket

Part Number	Bracket		A	C	CC	CD	CE	CJ	CP	CT	PA1	PB1	S	T
	1 Type	2 Type												
E-MCE	DC	32	142	94	22	10.5	10	13	26	45	51	45.5	46.5	32.5
		40	159	105	25	12	12	16	28	52	59	52.5	54	38
		50	175	106	27	12	12	17	32	60	67	60.5	64	46.5
		63	190	121	32	15	16	22	40	70	77	70.5	75	56.5
		80	214	128	36	15.5	16	22	50	90	97	90.5	93	72
		100	229	138	41	20	20	27	60	110	119	110.5	110	89

Support

Part Number	Support		A	AA	B	C	CC	CD	CJ	D	E	F	G	H	I	K	L
	1 Type	2 Type															
E-MCE	SP	32	142	32	26	94	10	49	10	21	18	30	8	38	50	6.5	10.5
		40	159	36	28	105	12	55	12	24	22	34	10	41	53	6.5	10.5
		50	175	45	32	106	12	67	13	33	30	44	12	50	64	9	14
		63	190	50	40	121	16	76	17	37	35	49	12	52	66	9	14
		80	214	63	50	128	16	92.5	19.5	47	40	59	14	66	85	11	17
		100	229	71	60	138	20	105.5	22.5	55	50	69	15	76	95	11	17

Used in combination with E-MCE-DC

Use according to the selection steps 1 to 3.

Ordering Example

Part Number (1 Type) - (2 Type) · (3 Cylinder I.D.)
E-MCQ - DC12

How to search on website



By Type

Search on MISUMI official website

E-MCQ



By Keyword

Step 1 Search on MISUMI official website

clevis



Step 2 Select MISUMI economy series brand

MISUMI



MISUMI economy

14

Air Cylinders / Valves / Regulators / Shock Absorbers / O-Rings

Cylinders and Accessories P.951

Shock Absorber P.991

Rod End Bearings P.999

P.999

Floating Joint P.1004

Silencer P.1006

Control Valves and Accessories P.1007

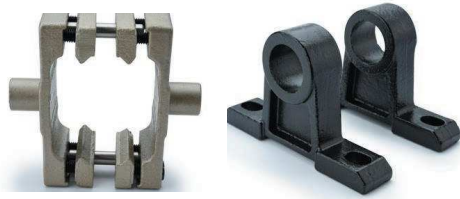
Air Source Handling P.1015

O-Rings P.1027

New Products

Representative model: E-MCC-CTB32

Shipping from 12 days



333

THB

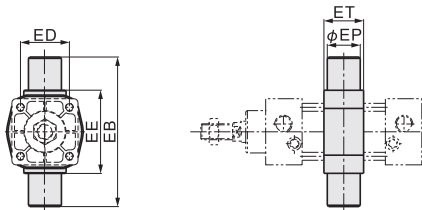
Volume Discount

Quantity	2~9	10~14	15~
Discount	Unit Price	15%	30%



Shipping days may differ by Quantity.
Quantity of volume discount above is for representative Part No. It may differ by the Part.

For E-MCC Standard Cylinder Bracket

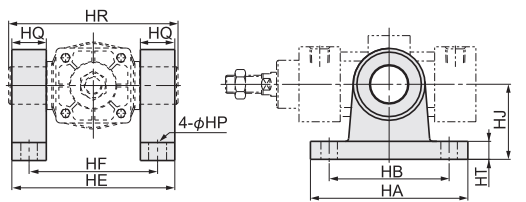


Material: Cast Steel

Part Number	Cylinder I.D. (mm)	EB	ED	EE	EP	ET
E-MCC Bracket	32	87	33	55	16	22
	40	113	37	63	25	28
	50	126	47	76	25	28
	63	138	56	88	25	30
	80	164	70	114	25	32
	100	182	84	132	25	38

Accessories need to be assembled and shipped together with cylinders, and individual items are not available for ordering.

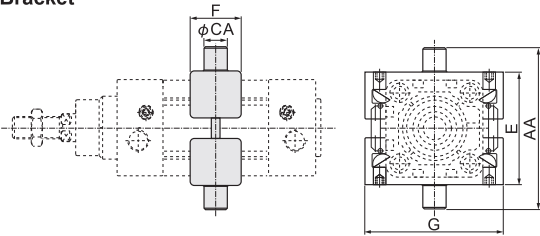
Support



Material: Cast Steel

Part Number	Support										
	Type	Cylinder I.D. (mm)	HA	HB	HE	HF	HP	HQ	HR	HT	HJ
E-MCC	CTB	32	100	75	90	71	12	16	87	11	54
		40	103	80	109	86	11	23	113	12	50
		50	103	80	122	99	11	23	126	12	50
		63	103	80	134	111	11	23	138	12	50
		80	110	85	160	137	13	23	164	12	70
		100	110	85	178	155	13	23	182	12	70

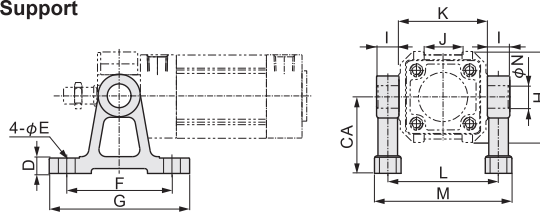
For E-MCE Standard Cylinder Bracket



Material: Cast Steel

Part Number	Bracket						
	Type	Cylinder I.D. (mm)	AA	CA	E	F	G
E-MCE	CTA	32	74	12	50	30	65
		40	95	16	63	32	75
		50	107	16	75	34	95
		63	130	20	90	41	105
		80	150	20	110	44	130
		100	182	25	132	48	145

Support



Material: Cast Steel

Part Number	Support													
	Type	Cylinder I.D. (mm)	CA	D	E	F	G	H	I	J	K	L	M	N
E-MCE	CTB	32	40	11	9	60	80	52	12	20	50	62	77	12
		40	54	11	12	75	100	65	16	27	63	79	98	16
		50	54	11	12	75	100	75	16	31	75	91	110	16
		63	70	11	12	85	110	80	20	12	80	110	133	20
		80	70	11	12	85	110	112	20	54	110	130	153	20
		100	90	19	18	115	155	135	25	68	135	157	185	25

Ordering Example

Please order after selecting part number and parameters according to the selection steps 1 to 3.

Part Number (1)Type - (2)Type · (3)Cylinder I.D.
E-MCPI - CT32

How to search on website



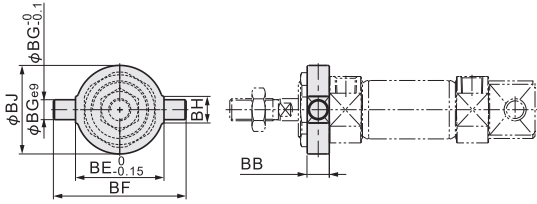
By Type Search on MISUMI official website
E-MCPI-CT

By Keyword Step 1 Search on MISUMI official website
trunnion

Step 2 Select MISUMI economy series brand



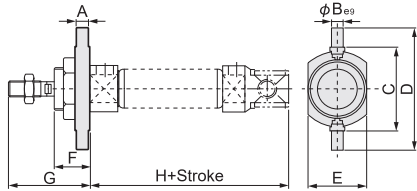
For E-MCPF Pen Cylinder



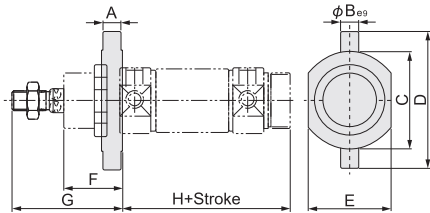
Material: Cast Steel

For E-MCPI Pen Cylinder

8~25



32, 40



Material: Cast Steel

Part Number	Bracket												
	1 Type	2 Type	3 Cylinder I.D. (mm)	BB	BE	BF	BG	BH	BJ	CA	CB	CC	CD
E-MCPF	CT	20	10	32	52	8	12	32	26	28	8	25	M20×1.5
		25	10	40	60	9	12	40	32	34	8	31	M26×1.5
		40	11	53	77	10	14	53	41	45	10	40	M32×2.0

① Cylinder Dia. 32 Universal Cylinder Dia. 25

Part Number	Bracket									
	1 Type	2 Type	3 Cylinder I.D. (mm)	A	B	C	D	E	F	G
E-MCPI	CT	10	6	4	26	38	20	12	28	58
		12	8	6	38	58	25	17	38	67
		20	8	6	46	66	32	20	44	82
		32	11	9	54	74	45	31.5	59.5	80.5
		40	12	10	64	84	55	36.5	70.5	103.5

① Cylinder Dia. 16 Universal Cylinder Dia. 12, Cylinder Dia. 25 Universal Cylinder Dia. 20

14

Air Cylinders / Valves / Regulators / Shock Absorbers / O-Rings

Cylinders and Accessories P.951

Shock Absorber

P.991

Rod End Bearings

P.999

Floating Joint P.1004

Silencer

P.1006

Control Valves and Accessories

P.1007

Air Source Handling

P.1015

O-Rings

P.1027

MISUMI contact

Tel: 038-959200 or 1382
Email: cs@misumi.co.th

MISUMI WEB "Chat"



Install MISUMI APP



New Products

Representative model: E-MCPA-PB32

Shipping from **1 day**



110 THB

Volume Discount

Quantity	4~29	30~49	50~
Discount	Unit Price	15%	30%

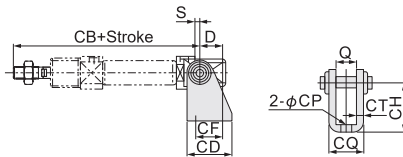


Shipping days may differ by Quantity.
Quantity of volume discount above is for representative Part No. It may differ by the Part.

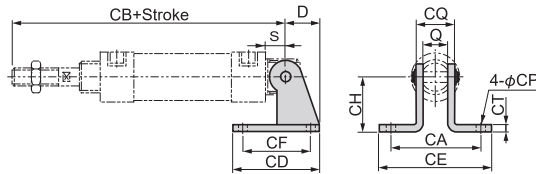
- 14
- Air Cylinders / Valves / Regulators / Shock Absorbers / O-Rings
- Cylinders and Accessories
- P.951
- Shock Absorber
- P.991
- Rod End Bearings
- P.999
- Floating Joint
- P.1004
- Silencer
- P.1006
- Control Valves and Accessories
- P.1007
- Air Source Handling
- P.1015
- O-Rings
- P.1027

For E-MCPA/E-MCPAL Pen Cylinder

16

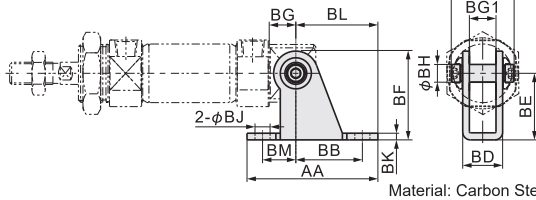


20~40



Material: Carbon Steel

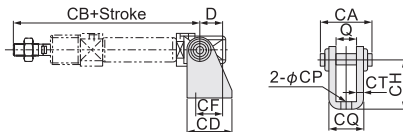
For E-MCPF Pen Cylinder



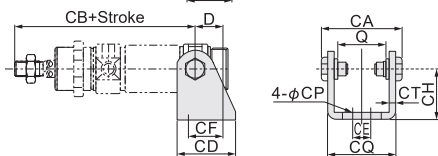
Material: Carbon Steel

For E-MCPI Pen Cylinder

10~20



32, 40



Material: Carbon Steel

Part Number	Bracket														
	1 Type	2 Type	3 Cylinder I.D. (mm)	CA	CB	CD	CE	CF	CH	CT	CP	CQ	D	S	Q
E-MCPA	PB	16	-	107	23	-	12	20	2	5.5	16	16	9	12	
		20	51	128	48	67	32	32	2.5	7	21	21	12	16	
		32	51	135	52	67	36	36	3	7	22	22	15	16	
		40	55	137	56	71	40	40	3	7	26	26	15	20	

1 Cylinder Dia. 25 Universal Cylinder Dia. 20, Cylinder Dia. 50, 60 Universal Cylinder Dia. 40

Part Number	Bracket															
	1 Type	2 Type	3 Cylinder I.D. (mm)	AA	BB	BC	BD	BE	BF	BG	BG1	BH	BK	BJ	BL	BM
E-MCPF	PB	20	59	30	32	18.1	30	40	12	12.1	8	3	6.8	37	15	
		32	75	40	44	28.1	40	53	15	20.1	10	4	9	50	15	

1 Cylinder Dia. 25 Universal Cylinder Dia. 20, Cylinder Dia. 40 Universal Cylinder Dia. 32

Part Number	Bracket													
	1 Type	2 Type	3 Cylinder I.D. (mm)	D	Q	CA	CB	CD	CE	CF	CH	CP	CQ	CT
E-MCPI	PB	10	11	8.1	16.4	76	20	-	12.5	24	4.5	12.1	2	
		12	13	12.1	26	91	25	-	15	27	5.5	16.1	2	
		20	16	16.1	35	115	32	-	20	30	7	21.1	2.5	
		32	20	34.6	53.6	117	41	20	24	35	7	44.6	3	
		40	27	42.6	65.6	146	52	28	30	40	9	54.6	3	

1 Cylinder Dia. 16 Universal Cylinder Dia. 12, Cylinder Dia. 25 Universal Cylinder Dia. 20

Ordering Example

Please order after selecting part number and parameters according to the selection steps 1 to 3.

Part Number (1 Type) - (2 Type) · (3 Cylinder I.D.)
E-MCPA - PB32

How to search on website



By Type

Search on MISUMI official website

E-MCPA-PB



By Keyword

Step 1 Search on MISUMI official website

clevis



Step 2 Select MISUMI economy series brand

MISUMI



MISUMI economy

MISUMI contact

Tel: 038-959200 or 1382
Email: cs@misumi.co.th

MISUMI WEB "Chat"



Install MISUMI APP



New Products



Representative model: E-MSCG-MD-2M

Save Up to **84%**
vs Standard Type

138 THB

Shipping from **1 day**

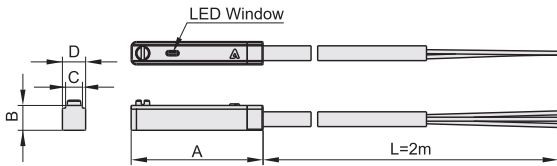
Volume Discount

Quantity	4~9	10~14	15~
Discount	Unit Price	15%	30%

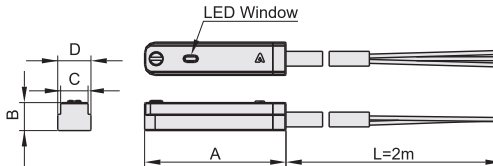


Shipping days may differ by Quantity.
Quantity of volume discount above is for representative Part No. It may differ by the Part.

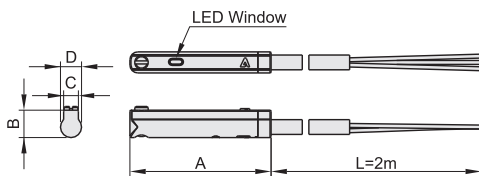
G Type



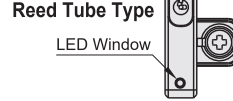
E Type



H Type



J Type



Electronic Type



Installation Diagram (Mounting Seat for Standard Cylinder)



Material: Case Resin

Part Number		③ No.	④ Wire Length
① Type	② Type		
E-MSC (Reed Tube Type)	G H E J	MD (2-Wire Type)	2M
		MD (2-Wire Type)	
MN (NPN 3-Wire Type)			
MP (PNP 3-Wire Type)			
E-MSD (Electronic Type)			

Magnetic Switch Type	A	B	C	D	E
G	25(26.8)	4.7(5.3)	3.2	4.4	-
H		4.6(5.2)	3	4	
E		4.7(5.3)	5.2	6.3	
J	10.5	12(21)	5.3	8.6	14

* Values in () are dimensions of reed tube type.
Please order after selecting part number and parameters according to the selection steps ① to ④.

Ordering Example

Part Number (①Type · ②Category) - ③No. - ④Wire Length
E-MSCG - MD - 2M

■ Magnetic Switch Specification

Item	Electronic Sensor		Reed Sensor
	2-Wire Type	NPN 3-Wire Type PNP 3-Wire Type	2-Wire Type
Voltage	10V~28V DC	5V~30V DC	5V~240V AC/DC
Max. Switching Current	2.5mA~100mA	30/200mA Max.	100mA
Max. Contact Capacity	2.8W Max.	6W Max.	10W Max.
Internal Consumption Current	3mA Max.	5mA Max.	-
Leakage Current	0.05mA Max.	0.01mA Max.	-
Protection Circuit	Power polarity reverse protection, surge absorption protection		-
Operating Temperature	-10°C~70°C		-
Protection Rating	General IP64		

■ Standard Cylinder Magnetic Switch Mounting Seat

Cylinder I.D.	Part Number
32,40,50	E-MSAH-A32
63	E-MSAH-A63
80,100	E-MSAH-A80

* When purchasing, please note that matching cylinders must be installed together with accessories.

■ Pen Cylinder Magnetic Switch Mounting Band

Cylinder I.D.	Part Number	
	Stainless Steel Cylinder Block	Aluminum Alloy Cylinder Block
6	E-MSAB-S6	-
8	E-MSAB-S8	-
10	E-MSAB-S10	-
12	E-MSAB-S12	-
16	E-MSAB-S16	-
20	E-MSAB-S20	E-MSAB-A20
25	E-MSAB-S25	E-MSAB-A25
32	E-MSAB-S32	E-MSAB-A32
40	E-MSAB-S40	E-MSAB-A40
50	E-MSAB-S50	-
63	E-MSAB-S63	-

How to search on website



By Type

Search on MISUMI official website

E-MSC



By Keyword

Step 1 Search on MISUMI official website

magnetic switch



Step 2 Select MISUMI economy series brand

MISUMI



MISUMI economy

14

Air Cylinders / Valves / Regulators / Shock Absorbers / O-Rings

Cylinders and Accessories P.951

Shock Absorber P.991

Rod End Bearings P.999

Floating Joint P.1004

Silencer P.1006

Control Valves and Accessories P.1007

Air Source Handling P.1015

O-Rings P.1027

+ New Specs

Representative model: C-AC0806M

Save Up to **33%** vs Standard Type

388

THB

Shipping from **1 day**



Volume Discount

Quantity	1~3	4~5	6~
Discount	Unit Price	15%	30%



Shipping days may differ by Quantity.
Quantity of volume discount above is for representative Part No. It may differ by the Part.

Mounting Screw Nominal (M)	Material	Surface Treatment
M4~M12	Body	12L14
M14~M36		STKM11A
M4~M10	Cover	Nylon
M12~M36		Urethane

Ferroferric Oxide Protective Film

14
Air Cylinders / Valves / Regulators / Shock Absorbers / O-Rings

Cylinders and Accessories
P.951

Shock Absorber
P.991

Rod End Bearings
P.999

Floating Joint
P.1004

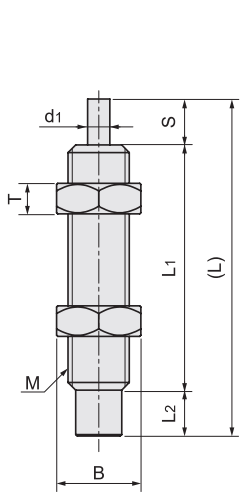
Silencer
P.1006

Control Valves and Accessories
P.1007

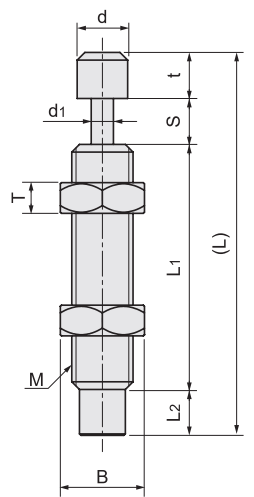
Air Source Handling
P.1015

O-Rings
P.1027

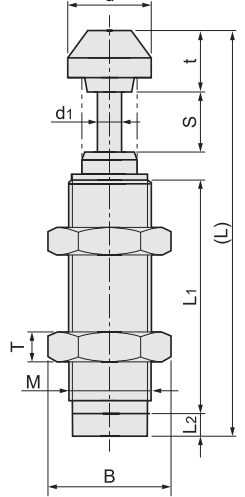
④ Cap: Not Provided
Mounting Screw Nominal (M) 4~25



④ Cap: Provided
Mounting Screw Nominal (M) 4~25



④ Cap: Provided
Mounting Screw Nominal (M) 36



Optional Spare Parts

Stopper Nut



Mounting Flange

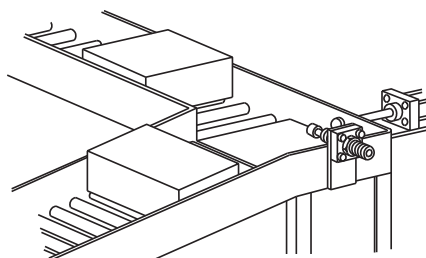


Please refer to P.1006 for the specific part numbers and dimensions of the stopper nut and mounting flange.

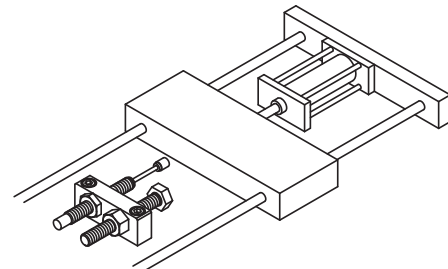
M4 to M14 shock absorbers are equipped with 2 anti-loosening washer.

Collision Velocity	Maximum Collision Velocity	Operating Environment Temperature	Reference Number of Replacements
L For Low Speed	~1.0m/s	-5~70°C	800,000 cycles
M for Medium Speed	~2.5m/s		
H for High Speed	~4.0m/s		

EX Example



EX Example



How to search on website



By Type Search on MISUMI official website
C-AC

By Keyword Step 1 Search on MISUMI official website
shock absorber

Step 2 Select MISUMI economy series brand



Part Number			4 Cap	5 Stopper Nut	6 Mounting Flange	Mounting Screw Nominal (M)	Stroke (S)	Max. Energy Absorbed (E')		Max. Equivalent Mass (me') (kg)	Max. Collision Velocity (M/S)	Total Length (L)		L1	L2	T	t	d	d1	B (Both Surfaces Width)					
1 Type	2 NO.	3 Collision Velocity Type						Per Cycle (J)	Per Minute (J)			Cap provided	Cap not provided												
C-AC	0404	L	N (Not Provided)	SC (Provided)	-	M4×0.5	4	1.2	72	2.5	0.5	32.6	28.6	20.6	4	3	4	3	1.2	7					
		M																			1.2	1			
		H																			0.3	2			
	0604	L				M6×0.75	4	1.8	108	4	0.5	1.8	1	33.6	29.6	21.1	4.5	3.3	4	4.6	1.8	8			
		M																					0.4	2	
		H																					2.5	0.5	
	0805	L				M8×0.75	5	1.2	72	5	1.2	72	1.2	1	37.1	32	22	5	4	5.1	6	1.8	11		
		M																						0.3	2
		H																						6.5	0.5
	0806	L				M8×1.0	6	2.5	120	6	2.5	120	2.5	1	50	44	32	6	4	6	6.6	2.9	11		
		M																						0.6	2
		H																						7	0.8
	1005	L				M10×1.0	5	3	180	5	3	180	3	1.5	38.7	32.7	21.7	6	4	6	8.6	3	12.9		
		M																						1	3
		H																						9	0.8
	1008	L				M10×1.0	8	4	240	8	4	240	4	1.5	57	51	37	6	4	6	8.6	3	12.9		
		M																						2	3
		H																						30	0.8
	1210	L				M12×1.0	10	5	300	10	5	300	10	1.5	69.2	60	44	6	4	9.2	10.3	3	14		
		M																						5	3
		H																						100	0.8
	1412	L				M14×1.5	12	15	600	12	15	600	50	1.5	100.2	88.2	70.2	6	5	12	12	4	19		
		M																						8	3
		H																						150	0.8
	1416	L				M14×1.5	16	20	660	16	20	660	70	1.5	123	111	89	6	5	12	12	4	19		
		M																						10	3.0
		H																						700	1
	2020	L				M20×1.5	20	40	800	20	40	800	200	2	145.8	130	104	6	8	15.8	18	6	26		
		M																						30	3.5
		H																						700	1
	2030	L				M20×1.5	30	50	900	30	50	900	200	2	155.8	140	104	6	8	15.8	18	6	26		
		M																						30	3.5
		H																						1200	1
	2050	L				M20×1.5	50	60	1100	50	60	1100	400	2	232.8	217	161	6	8	15.8	18	6	26		
		M																						60	3.5
		H																						1000	1
	2525	L				M25×1.5	25	80	1000	25	80	1000	600	2.5	154.5	136	106	5	10	18.5	22	8	32		
		M																						200	4
		H																						1680	1
	2550	L				M25×1.5	50	135	1500	50	135	1500	900	2.5	239	220.5	100	70.5	10	18.5	22	8	32		
		M																						200	4
		H																						1200	1
	2580	L				M25×1.5	80	150	2000	80	150	2000	600	2.5	335.5	317	100	137	10	18.5	22	8	32		
		M																						150	4
		H																						2400	1
	3660	L				M36×1.5	60	250	2080	60	250	2080	1500	2.5	247	-	149	13	15	25	35	10	46		
		M																						400	4
		H																							

Ordering Example

Please order after selecting part number and parameters according to the selection steps 1 to 6.

Part Number (1)Type · (2)No. · (3)Collision Velocity Type) - (4)Cap Provided / Not provided - (5)Stopper Nut provided / Not provided - (6)Mounting Flange Provided / Not provided

Example ① C-AC0806M

② C-AC3660M

- N - SC - F

*1~4: Body of Shock Absorber

*5~6: Optional Spare Part of Shock Absorber

14

Air Cylinders / Valves / Regulators / Shock Absorbers / O-Rings

Cylinders and Accessories P.951

Shock Absorber P.991

Rod End Bearings P.999

Floating Joint P.1004

Silencer P.1006

Control Valves and Accessories P.1007

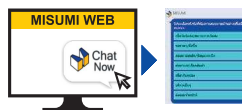
Air Source Handling P.1015

O-Rings P.1027

MISUMI contact

Tel: 038-959200 or 1382
Email: cs@misumi.co.th

MISUMI WEB "Chat"



Install MISUMI APP



+ New Specs

Representative model: C-AD1412

Shipping from **1 day**



722

THB

Volume Discount

Quantity	1~3	4~5	6~
Discount	Unit Price	15%	30%



Shipping days may differ by Quantity.
Quantity of volume discount above is for representative Part No. It may differ by the Part.

Mounting Screw Nominal (M)	Material		Surface Treatment
	Body	Cover	
M12~M36	STKM11A	Urethane	Ferroferric Oxide Protective Film

14
Air Cylinders / Valves / Regulators / Shock Absorbers / O-Rings

Cylinders and Accessories
P.951

Shock Absorber
P.991

Rod End Bearings
P.999

Floating Joint
P.1004

Silencer

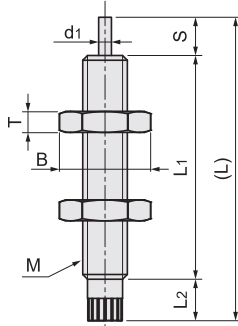
P.1006

Control Valves and Accessories
P.1007

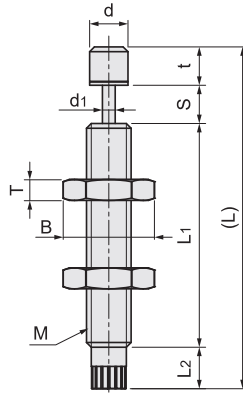
Air Source Handling
P.1015

O-Rings
P.1027

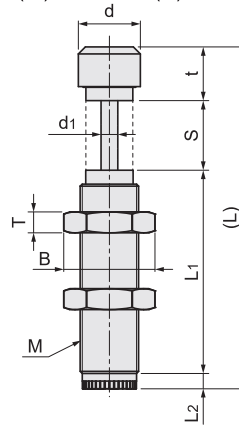
③ Cap: Not Provided
Mounting Screw Nominal (M) 12~27



③ Cap: Provided
Mounting Screw Nominal (M) 12~27



③ Cap: Provided
Mounting Screw Nominal (M) 36
Note: Also refer to this figure for (M)25 Stroke (S)40mm



Optional Spare Parts
Stopper Nut

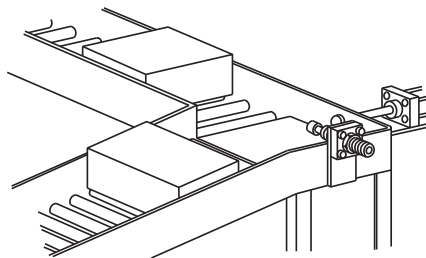


Please refer to P.1006 for the specific part number and dimension of the stopper nut.

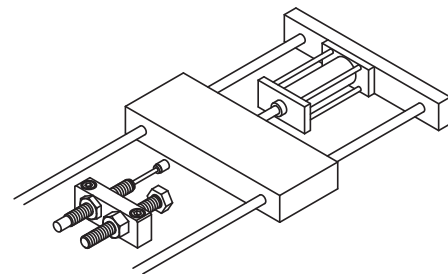
M12 to M14 shock absorbers are equipped with 2 anti-loosening washer.

Impact Speed Type	Maximum Collision Velocity	Operating Environment Temperature	Reference Number of Replacements
Adjusting Type	~4.2m/s	-5~70°C	800,000 cycles

Example



Example



How to search on website



By Type: Search on MISUMI official website
C-AD

By Keyword: Step 1 Search on MISUMI official website
shock absorber

Step 2 Select MISUMI economy series brand



Part Number		③ Cap	④ Stopper Nut	Mounting Screw Nominal (M)	Stroke (S)	Max. Energy Absorbed (E')		Max. Equivalent Mass (me') (kg)	Max. Collision Velocity (M/S)	Length (L)		L1	L2	T	t	d	d1	B (Both Surfaces Width)
① Type	② NO.					Per Cycle (J)	Per Minute (J)			Cap provided	Cap not provided							
C-AD	1210	-	SC	M12×1.0	10	12	360	35	3	89.5	81	61	10	4	8.5	10.5	3	14
	1412			M14×1.5	12	21	410	90	2.5	107.2	95.2	70.2	13	5	12	12	4	19
	1415			M14×1.5	15	22	440	120	3.2	129	117	89	13	5	12	12	4	19
	1425			M14×1.5	25	28	460	140	3.2	154	142	104	13	5	12	12	4	19
	1612			M16×1.5	12	22	420	150	3.2	107.2	95.2	70.2	13	5	12	14	4	19
	2016			M20×1.5	16	25	530	210	3	148.8	133	104	13	8	15.8	18	6	26
	2020			M20×1.5	20	34	580	298	3.6	152.8	137	100	17	8	15.8	18	6	26
	2025			M20×1.5	25	39	650	312	3.6	157.8	142	100	17	8	15.8	18	6	26
	2525			M25×1.5	25	85	1100	450	3.5	162	143.5	106	12.5	10	18.5	22	8	32
	2540			M25×1.5	40	100	1300	780	3.5	221.5	-	132	12.5	10	37	22	8	32
	2550			M25×1.5	50	98	1630	720	4.2	246.5	-	100	78	10	18.5	22	8	32
	2580			M25×1.5	80	150	2100	800	4.2	343	-	100	144.5	10	18.5	22	8	32
	2725			M27×1.5	25	90	1200	480	3.5	162	143.5	100	18.5	10	18.5	22	8	32
	3625			M36×1.5	25	150	1500	1400	3.2	183	-	101	22	15	25	35	10	46
	3650			M36×1.5	50	300	1800	1450	3.5	246	-	149	22	15	25	35.5	10	46

① For larger sizes, see the Economy series Shock Absorbers, Heavy Load Absorption Type catalog page.
 ② Please visit MISUMI website for details of the models available for sale.

Ordering Example Please order after selecting part number and parameters according to the selection steps ① to ④.

Part Number (①Type · ②No.) - ③Cap Provided / Not provided - ④Stopper Nut provided / Not provided

Example ①C-AD1412 - N - SC

②C-AD1412

*①~③: Body of Shock Absorber
 *④: Optional Spare Part of Shock Absorber

14 Air Cylinders / Valves / Regulators / Shock Absorbers / O-Rings
 P.951
 Shock Absorber P.991
 Rod End Bearings P.999
 Floating Joint P.1004
 Silencer P.1006
 Control Valves and Accessories P.1007
 Air Source Handling P.1015
 O-Rings P.1027

MISUMI contact
 Tel: 038-959200 or 1382
 Email: cs@misumi.co.th

MISUMI WEB "Chat"


Install MISUMI APP



Shock Absorbers, Two-Way Type

+ New Specs

Representative model: E-MSSTACD2035H

Save Up to **59%**
vs Standard Type

1,770 THB

Shipping from 1 day

Volume Discount

Quantity	1~3	4~5	6~
Discount	Unit Price	15%	30%



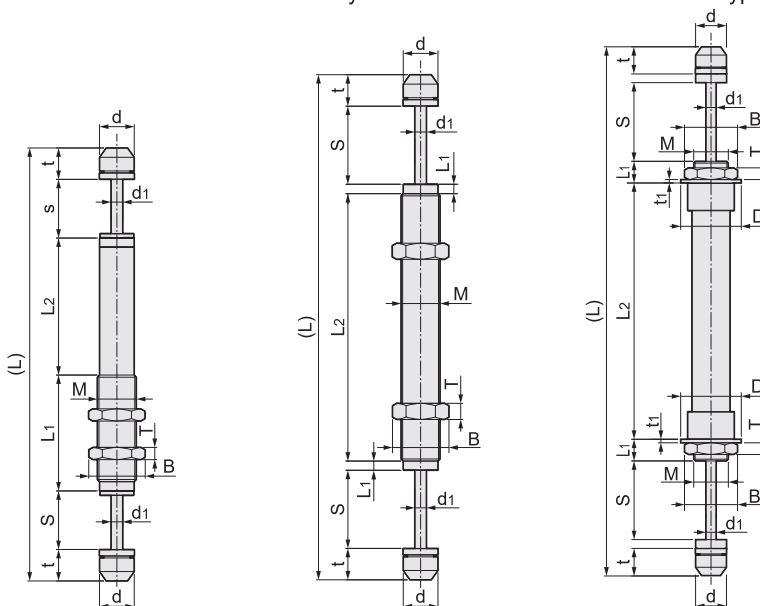
Shipping days may differ by Quantity.
Quantity of volume discount above is for representative Part No. It may differ by the Part.

Type	Material		Surface Treatment
	Body	Cover	
Threadless Type	STKM11A	Urethane	Chemical Nickel
Fully Threaded, Semi-Threaded Type			Ferroferric Oxide Protective Film

Stroke S (mm) 35
Semi-Threaded

Stroke S (mm) 45-50
Fully Threaded

Stroke S (mm) 50
Threadless Type



Impact Speed Type	Maximum Collision Velocity	Operating Environment Temperature	Reference Number of Replacements
Two-Way Type	~4.0m/s	-5~70°C	800,000 cycles

Part Number		Mounting Screw Nominal (M)	Stroke (S)	Max. Energy Absorbed (E)		Max. Equivalent Mass (me')	Max. Collision Velocity (M/S)	Thread Type	Total Length (L)	L1	L2	T	t	t1	D	d	d1	B (Both Surfaces Width)
1 Type	2 No.			Per Cycle (J)	Per Minute (J)													
E-MSSTACD	2035L	M20×1.5	35	52	1030	650	1	Semi-Threaded	234.6	49	84	8	15.8	-	-	18	6	26
	2035M	M20×1.5	35	52	1030	200	2		234.6	49	84	8	15.8	-	-	18	6	26
	2035H	M20×1.5	35	52	1030	40	3.5		234.6	49	84	8	15.8	-	-	18	6	26
	2045	M20×1.5	45	55	2290	350	4	Fully Threaded	275.6	2.5	149	8	15.8	-	-	18	6	26
	2050L	M20×1.5	50	60	2500	400	4		319.6	2.5	183	8	15.8	-	-	18	6	26
	2050M	M20×1.5	50	60	2500	400	4	Threadless	313.6	12.5	148	8	15.8	3	27	18	6	26

Ordering Example

Please order after selecting part number and parameters according to the selection steps 1 to 2.

Part Number (1Type · 2No.)

Example **E-MSSTACD2035H**

*1~2: Body of Shock Absorber

How to search on website



By Type Search on MISUMI official website
E-MSSTACD

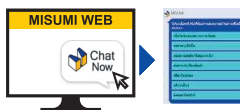
By Keyword Step 1 Search on MISUMI official website
shock absorber

Step 2 Select MISUMI economy series brand
 MiSUMI **MiSUMI economy**

MISUMI contact

Tel: **038-959200 or 1382**
Email: **cs@misumi.co.th**

MISUMI WEB "Chat"



Install MISUMI APP



+ New Specs



Representative model: E-MSZXAD4225

Save Up to **39%** vs Standard Type

4,447 THB

Shipping from 1 day

Volume Discount

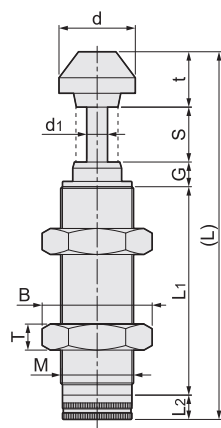
Quantity	1~3	4~5	6~
Discount	Unit Price	15%	30%



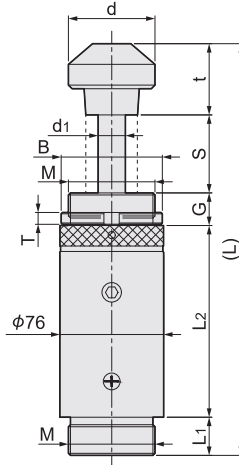
* Shipping days may differ by Quantity.
 * Quantity of volume discount above is for representative Part No. It may differ by the Part.

Material		Surface Treatment
Body	Cover	
STKM11A	Urethane	Ferroferric Oxide Protective Film

Mounting Screw Nominal (M)
42



Mounting Screw Nominal (M)
UNF2 1/2-12



Optional Spare Parts

Stopper Nut



Mounting Flange



* Please refer to P.1006 for the specific part numbers and dimensions of the stopper nut and mounting flange.

Impact Speed Type	Maximum Collision Velocity	Operating Environment Temperature	Reference Number of Replacements
Heavy Load Absorption Type	~4.8m/s	-5~70°C	800,000 cycles

Part Number	Type	No.	Stopper Nut	Mounting Flange	Mounting Screw Nominal (M)	Stroke (S)	Max. Energy Absorbed (E)		Max. Equivalent Mass (me') (kg)	Max. Collision Velocity (M/S)	Total Length (L)	L1	L2	T	t	d	d1	G	B (Both Surfaces Width)
							Per Cycle (J)	Per Minute (J)											
E-MSZXAD	4225	SC	(Provided)	F (Provided)	M42×1.5	25	260	2160	3000	3.6	191	98.5	20	15	33.5	44.5	12	14	50
	4250	-	(Not Provided)		M42×1.5	50	500	2580	4000	4.8	258	135.5	20	15	38.5	44.5	12	14	50
	4275	-	(Not Provided)		M42×1.5	75	750	3110	6000	4.9	308	160.5	20	15	38.5	44.5	12	14	50
	64050	-	(Not Provided)	UNF 2 1/2-12	50	12000	26000	12727	3.5	247	26	97	10	51	59	20	23	76	
	64100	-	(Not Provided)	UNF 2 1/2-12	100	24000	32000	18181	3.5	347	26	147	10	51	59	20	23	76	
	64150	-	(Not Provided)	UNF 2 1/2-12	150	36000	42000	23636	3.5	467	26	207	10	61	59	20	23	76	

Ordering Example

Please order after selecting part number and parameters according to the selection steps ① to ④.

Part Number (①Type · ②No.) - ③Stopper Nut provided / Not provided - ④Mounting Flange Provided / Not provided

Example① E-MSZXAD4225

② E-MSZXAD4225

SC

F

* ①~②: Body of Shock Absorber
 * ③~④: Optional Spare Part of Shock Absorber

How to search on website



By Type

Search on MISUMI official website

E-MSZXAD



By Keyword

Step 1 ▶ Search on MISUMI official website

shock absorber



Step 2 ▶ Select MISUMI economy series brand



14

Air Cylinders / Valves / Regulators / Shock Absorbers / O-Rings

Cylinders and Accessories

P.951

Shock Absorber

P.991

Rod End Bearings

P.999

Floating Joint

P.1004

Silencer

P.1006

Control Valves and Accessories

P.1007

Air Source Handling

P.1015

O-Rings

P.1027

+ New Specs

Representative model: C-AC1210S

Save Up to **56%** vs Standard Type

Shipping from **1 day**

619

THB

Volume Discount

Quantity	1~3	4~5	6~
Discount	Unit Price	15%	30%

CAD 2D 3D

Shipping days may differ by Quantity.
Quantity of volume discount above is for representative Part No. It may differ by the Part.

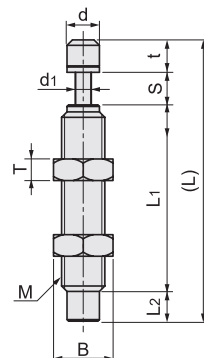
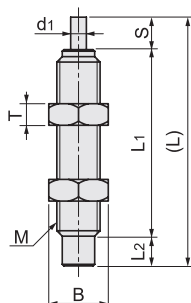
Mounting Screw Nominal (M)	Material	Surface Treatment
M8~M12	Body	12L14
M14~M27		STKM11A
M8	Cover	Nylon
M10~M27		Urethane

Ferroferric Oxide Protective Film

Cap: Not Provided

Cap: Provided

Optional Spare Parts
Stopper Nut



Please refer to P.1006 for the specific part number and dimension of the stopper nut.

M8 to M14 shock absorbers are equipped with 2 anti-loosening washer.

Impact Speed Type	Maximum Collision Velocity	Operating Environment Temperature	Reference Number of Replacements
Two-stage type	~5.0m/s	-5~70°C	800,000 cycles

Part Number	Type	No.	Cap	Stopper Nut	Mounting Screw Nominal (M)	Stroke (S)	Max. Energy Absorbed (E)		Max. Equivalent Mass (ME) (kg)	Max. Collision Velocity (M/S)	Total Length (L)		L1	L2	T	t	d	d1	B (Both Surfaces Width)
							Per Cycle (J)	Per Minute (J)			Cap provided	Cap not provided							
C-AC	-	0806S	(Provided)	SC (Provided)	M8×1.0	6.0	3.0	116.0	6.0	2.5	52.0	46.0	34.5	5.5	4.0	6.0	6.0	2.9	11.0
		1007S			M10×1.0	7.0	6.0	206.0	12.0	3.5	63.0	54.5	42.5	5.0	4.0	8.5	8.5	3.0	12.9
		1210S			M12×1.0	10.0	12.0	341.0	25.0	5.0	71.5	62.5	46.5	6.0	4.0	9.0	10.5	3.0	14.0
		1412S			M14×1.5	12.0	20.0	550.0	40.0	5.0	91.5	79.5	62.5	5.0	5.0	12.0	11.8	4.0	19.0
		2015S			M20×1.5	15.0	59.0	635.0	120.0	5.0	103.8	88.0	66.0	7.0	8.0	15.8	18.0	6.0	26.0
		2525S			M25×1.5	25.0	105.0	950.0	220.0	5.0	141.5	123.0	90.0	8.0	10.0	18.5	22.0	8.0	32.0
		2725S			M27×1.5	25.1	147.0	1200.0	270.0	5.0	141.5	123.0	90.0	8.0	10.0	18.5	22.0	8.0	32.0

Ordering Example

Please order after selecting part number and parameters according to the selection steps 1 to 4.

Part Number (1Type · 2No.) - 3Cap Provided / Not provided - 4Stopper Nut provided / Not provided

Example 1 C-AC1210S

2 C-AC1210S

N

SC

1~3: Body of Shock Absorber
4: Optional Spare Part of Shock Absorber

How to search on website



By Type Search on MISUMI official website
C-AC

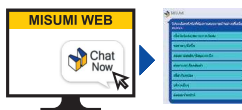
By Keyword Step 1 Search on MISUMI official website
shock absorber

Step 2 Select MISUMI economy series brand
MISUMI economy

MISUMI contact

Tel: 038-959200 or 1382
Email: cs@misumi.co.th

MISUMI WEB "Chat"



Install MISUMI APP



14

Air Cylinders / Valves / Regulators / Shock Absorbers / O-Rings

Cylinders and Accessories

P.951

Shock Absorber

P.991

Rod End Bearings

P.999

Floating Joint

P.1004

Silencer

P.1006

Control Valves and Accessories

P.1007

Air Source Handling

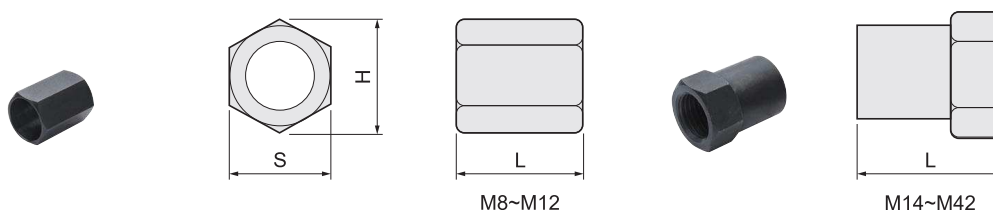
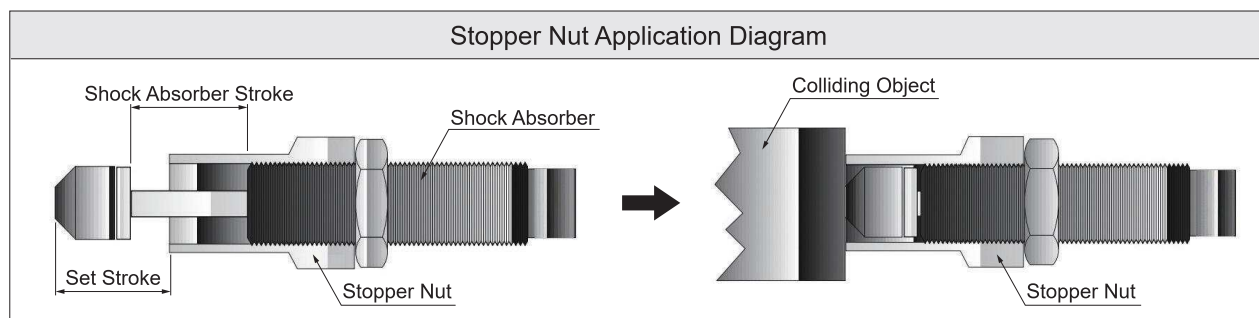
P.1015

O-Rings

P.1027

Stopper Nut

It can be used with both cap and capless type of Shock Absorbers. Setting buffer improves the service life of the Absorber.

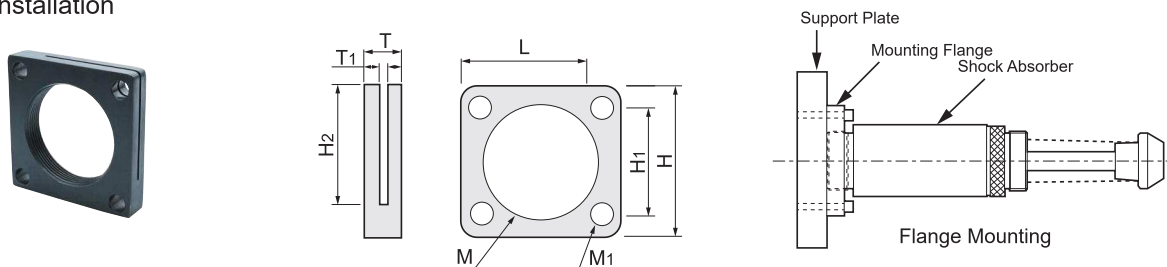


Specifications	Mounting Screw Nominal	S	H	L	Shock Absorber Type			
					Fixed	Adjusting	Heavy Load Absorption	Two-stage
Stopper Nut	M8×1.0	11	12.6	14	○	-	-	○
	M10×1.0	12.7	14.5	16	○	-	-	○
	M12×1.0	14	16	20	○	○	-	○
	M14×1.5	19	21.6	27	○	○	-	○
	M16×1.5	19	21.6	27	-	○	-	-
	M20×1.5	26	29.7	35	○	○	-	○
	M25×1.5	32	36.7	45	○	○*	-	○
	M25×1.5	32	36.7	65	-	○*	-	-
	M27×1.5	32	36.7	45	-	○	-	○
	M36×1.5	46	53	80	○	○	-	-
M42×1.5	50	57.7	100	-	-	○	-	

* "-" shows unavailable size
* The stroke S determines the dimension L of the stopper nut: S=40, L=65; S=25, 50, 80, L=45

Mounting Flange

Equipped with large-sized shock absorber, no need to thread the workpiece, directly fixed with a flange, easy installation



Specifications	Mounting Screw Nominal	M1	H	H1	H2	L	T	T1	Shock Absorber Type	
									φ	mm
Mounting Flange	M36×1.5	4-φ8.5	60	41	45	45	16	2	○	-
	M42×1.5	4-φ8.5	60	41	45	45	16	2	-	○
	UNF2 1/2-12	4-φ10.5	89	70	55	55	16	2	-	○

Note: The stopper nut and mounting flange must be ordered together with the shock absorber, and cannot be ordered separately.
* "-" shows unavailable size

14

Air Cylinders / Valves / Regulators / Shock Absorbers / O-Rings

Cylinders and Accessories

P.951

Shock Absorber

P.991

Rod End Bearings

P.999

Floating Joint

P.1004

Silencer

P.1006

Control Valves and Accessories

P.1007

Air Source Handling

P.1015

O-Rings

P.1027

Representative model: E-GZN8

Save Up to **85%** vs Standard Type

Shipping from **1 day**

65 THB

Volume Discount

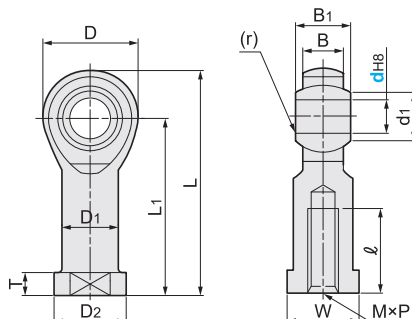
Quantity	1~29	30~49	50~
Discount	Unit Price	15%	30%



Shipping days may differ by Quantity.
Quantity of volume discount above is for representative Part No. It may differ by the Part.



Material			
Holder	Inner Ring	Outer Ring	Bushing (Lining)
S45C (Zinc Plating)	Bearing Steel	H59	PTFE



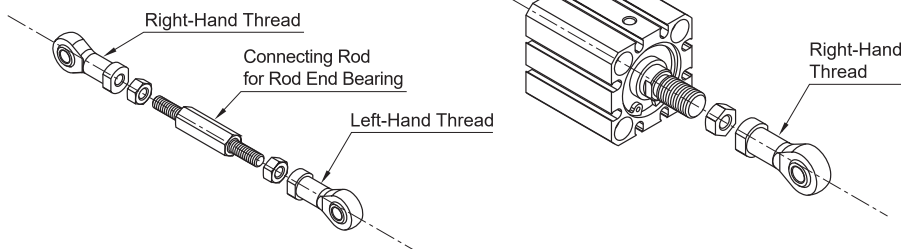
Part Number			Connecting Thread Spec. M×Pitch	D	D ₁	D ₂	L	L ₁	ℓ	B	B ₁	T	W	d ₁	(r)	Static Load Capacity Radial Cs (kN)	Mass
1 Type	2 Connecting Thread Direction	3 d															
E-GZN	Unspecified (Right-Hand) L (Left-Hand)	5	M5×0.8	18	9	11	36.5	27	10	6	8	4	9	7.7	0.3 ~ 0.5	6	16
		6	M6×1.0	20	10	13	40.5	30	12	6.75	9	5	11	8.96		7.65	22
		8	M8×1.25	24	12.5	16	48.5	36	16	9	12	14	10.4	12.9		47	
		10	M10×1.5	28	15	19	57.5	43	20	10.5	14	6.5	17	12.9		18	77
		10A	M10×1.25													24	10.4
		12	M12×1.75	32	17.5	22	66.5	50	22	12	16	19	15.4	24		100	
		14	M14×2.0	36	20	25	75	57	25	13.5	19	8	22	16.9		31	160
		14A	M14×1.5													22	16.9
		16	M16×2.0	40	22	27	85.5	64	28	15	21	19.4	39	220			
		20	M20×1.5	50	27.5	34	102.5	77	33	18	25	10	30	23		57	420



Please order after selecting part number and parameters according to the selection steps 1 to 3.

Part Number (1 Type · 2 Connecting Thread Direction · 3 d)

E-GZN8



Lubrication Free

- As shown in the product photo, the self-lubricating joint bearing has a layer of PTFE lining between the steel ball and the copper ring.
- PTFE lining is used for lubrication. No oil filling is required during use. Easy to use, maintenance-free, low product unit cost and high cost performance.

How to search on website



By Type Search on MISUMI official website
E-GZN

By Keyword Step 1 Search on MISUMI official website
rod end bearing

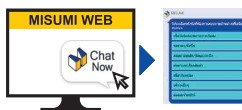
Step 2 Select MISUMI economy series brand

MISUMI MISUMI economy

MISUMI contact

Tel: 038-959200 or 1382
Email: cs@misumi.co.th

MISUMI WEB "Chat"



Install MISUMI APP



14

Air Cylinders / Valves / Regulators / Shock Absorbers / O-Rings

Cylinders and Accessories

P.951

Shock Absorber

P.991

Rod End Bearings

P.999

Floating Joint

P.1004

Silencer

P.1006

Control Valves and Accessories

P.1007

Air Source Handling

P.1015

O-Rings

P.1027

Representative model: E-GZW8

Save Up to **80%**
vs Standard Type

Shipping
from
1 day



65 THB

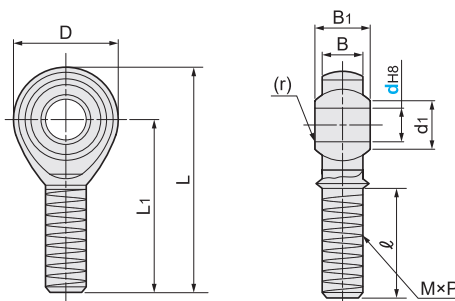
Volume Discount

Quantity	1~29	30~49	50~
Discount	Unit Price	15%	30%



Shipping days may differ by Quantity.
Quantity of volume discount above is for representative Part No. It may differ by the Part.

Material			
Holder	Inner Ring	Outer Ring	Bushing (Lining)
S45C (Zinc Plating)	Bearing Steel	H59	PTFE



Part Number Direction			Connecting Thread Spec. M×Pitch	D	L	L1	ℓ	B	B1	d1	(r)	Static Load Capacity Radial Cs (kN)	Mass
1 Type	2 Connecting Thread Direction	3 d											
E-GZW	Unspecified (Right-Hand) L (Left-Hand)	5	M5×0.8	18	42.5	33	19	6	8	7.7	0.3 ~ 0.5	6	13
		6	M6×1.0	20	46.5	36	21	6.7	9	8.96		7.65	20
		8	M8×1.25	24	54.5	42	25	9	12	10.4		12.9	38
		10	M10×1.5	28	62.5	48	28	11	14	12.9		18	55
		12	M12×1.75	32	70.5	54	32	12	16	15.4		24	85
		14	M14×2.0	36	78.5	60	36	14	19	16.9		31	140
		16	M16×2.0	40	87.5	66	37	15	21	19.4		39	210
20	M20×1.5	50	103	78	41	18	25	23	57	380			

Ordering Example

Please order after selecting part number and parameters according to the selection steps 1 to 3.

Part Number (1 Type · 2 Connecting Thread Direction · 3 d)
E-GZW8

Lubrication Free

- As shown in the product photo, the self-lubricating joint bearing has a layer of PTFE lining between the steel ball and the copper ring.
- PTFE lining is used for lubrication. No oil filling is required during use. Maintenance-free, easy to use, low product unit cost and high cost performance.

How to search on website



By Type Search on MISUMI official website
E-GZW

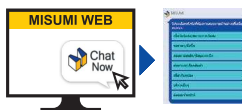
By Keyword Step 1 Search on MISUMI official website
rod end bearing

Step 2 Select MISUMI economy series brand
 MISUMI

MISUMI contact

Tel: 038-959200 or 1382
Email: cs@misumi.co.th

MISUMI WEB "Chat"



Install MISUMI APP



14

Air Cylinders / Valves / Regulators / Shock Absorbers / O-Rings

Cylinders and Accessories P.951

Shock Absorber P.991

Rod End Bearings P.999

Floating Joint P.1004

Silencer P.1006

Control Valves and Accessories P.1007

Air Source Handling P.1015

O-Rings

P.1027

Representative model: E-GYN8

Save Up to **76%** vs Standard Type

76

THB

Shipping from **1 day**



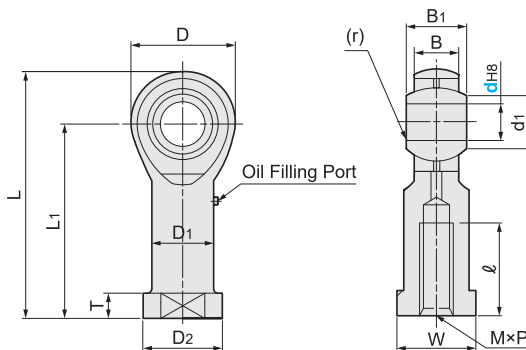
Volume Discount

Quantity	1~29	30~49	50~
Discount	Unit Price	15%	30%



Shipping days may differ by Quantity.
Quantity of volume discount above is for representative Part No. It may differ by the Part.

Material		
Holder	Inner Ring	Bushing (Lining)
S45C (Zinc Plating)	Bearing Steel	H62



Part Number			Connecting Thread Spec. M×Pitch	D	D1	D2	L	L1	l	B	B1	T	W	d1	(r)	Static Load Capacity Radial Cs (kN)	Mass
1 Type	2 Connecting Thread Direction	3 d															
E-GYN	Unspecified (Right-Hand)	5	M5×0.8	16	8.5	11	35	27	10	6	8	4	9	7.7	0.3 ~ 0.5	5.7	16
		6	M6×1.0	18	10	13	39	30	12	6.75	9	5	11	8.96		7.2	22
		8	M8×1.25	22	12.5	16	47	36	16	9	12	5	14	10.4		11.6	47
		10	M10×1.5	26	15	19	56	43	20	10.5	14	6.5	17	12.9		14.5	77
		10A	M10×1.25														
	L (Left-Hand)	12	M12×1.75	30	17.5	22	65	50	22	12	16	8	19	15.4	17	100	
		14	M14×2.0	34	20	25	74	57	25	13.5	19	8	22	16.9	24	160	
		14A	M14×1.5														
		16	M16×2.0	38	22	27	84	64	28	15	21	8	24	19.4	28.5	220	
		20	M20×1.5	46	27	34	102	77	33	18	25	10	30	23	42.5	420	

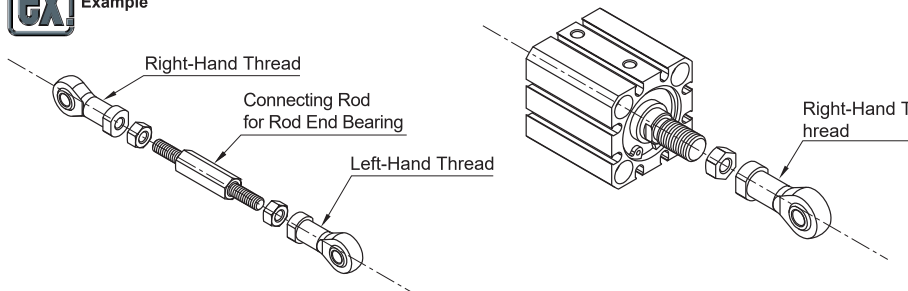
Ordering Example

Please order after selecting part number and parameters according to the selection steps 1 to 3.

Part Number (1 Type · 2 Connecting Thread Direction · 3 d)
E-GYN8



Example



Oil Lubrication

- ① As shown in the product photo, there is an oil filling port on the holder.
- ② Lubricating oil can be added through the oil filling port for longer service life, more durability and better lubrication.

How to search on website



By Type Search on MISUMI official website
E-GYN

By Keyword Step 1 Search on MISUMI official website
rod end bearing

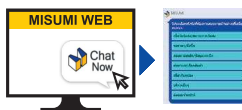
Step 2 Select MISUMI economy series brand

MISUMI MISUMI economy

MISUMI contact

Tel: 038-959200 or 1382
Email: cs@misumi.co.th

MISUMI WEB "Chat"



Install MISUMI APP



14

Air Cylinders / Valves / Regulators / Shock Absorbers / O-Rings

Cylinders and Accessories
P.951

Shock Absorber
P.991

Rod End Bearings
P.999

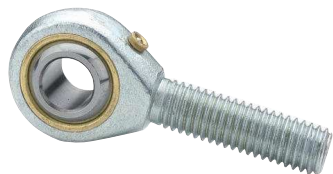
Floating Joint
P.1004

Silencer
P.1006

Control Valves and Accessories
P.1007

Air Source Handling
P.1015

O-Rings
P.1027



Representative model: E-GYW8

Save Up to **74%** vs Standard Type

76

THB

Shipping from **1** day

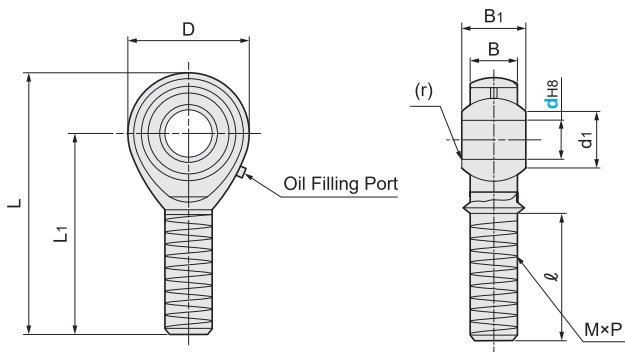
Volume Discount

Quantity	1~29	30~49	50~
Discount	Unit Price	15%	30%



Shipping days may differ by Quantity.
Quantity of volume discount above is for representative Part No. It may differ by the Part.

Material		
Holder	Inner Ring	Bushing (Lining)
S45C (Zinc Plating)	Bearing Steel	H62



Part Number			Connecting Thread Spec. M×Pitch	D	L	L1	l	B	B1	d1	(r)	Static Load Capacity Radial Cs (kN)	Mass
①Type	②Connecting Thread Direction	③d											
E-GYW	Unspecified (Right-Hand)	5	M5×0.8	16	41	33	20	6	8	7.7	0.3 ~ 0.5	5.7	13
		6	M6×1.0	18	45	36	22	6.75	9	8.96		7.2	20
		8	M8×1.25	22	53	42	25	9	12	10.4		11.6	30
		10	M10×1.5	26	61	48	29	10.5	14	12.9		14.5	55
	L (Left-Hand)	12	M12×1.75	30	69	54	33	12	16	15.4		17	85
		14	M14×2.0	34	77	60	36	13.5	19	16.9		24	140
		16	M16×2.0	38	86	66	40	15	21	19.4		28.5	210
		20	M20×1.5	46	103	78	47	18	25	23		52.5	380

Ordering Example

Please order after selecting part number and parameters according to the selection steps ① to ③.

Part Number (①Type · ②Connecting Thread Direction · ③d)
E-GYW8

Oil Lubrication

- ①As shown in the product photo, there is an oil filling port on the holder.
- ②Lubricating oil can be added through the oil filling port for longer service life, more durability and better lubrication.

How to search on website



By Type Search on MISUMI official website
E-GYW

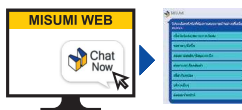
By Keyword Step 1 Search on MISUMI official website
rod end bearing

Step 2 Select MISUMI economy series brand
 MISUMI MISUMI economy

MISUMI contact

Tel: 038-959200 or 1382
Email: cs@misumi.co.th

MISUMI WEB "Chat"



Install MISUMI APP



14

Air Cylinders / Valves / Regulators / Shock Absorbers / O-Rings

Cylinders and Accessories P.951

Shock Absorber P.991

Rod End Bearings P.999

Floating Joint P.1004

Silencer P.1006

Control Valves and Accessories P.1007

Air Source Handling P.1015

O-Rings P.1027

New Products

Representative model: E-MCCRI-M10-1.25

Save Up to **63%** vs Standard Type

109

THB

Shipping from **1 day**



Volume Discount

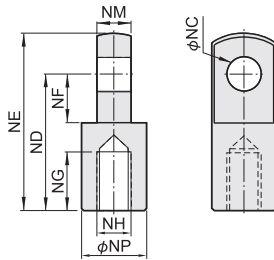
Quantity	4~29	30~49	50~
Discount	Unit Price	15%	30%



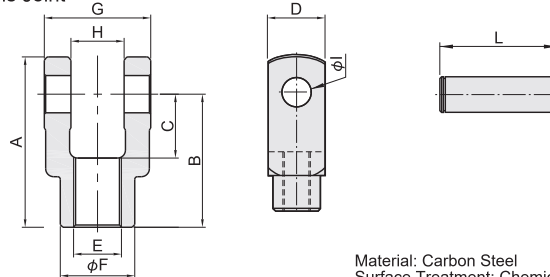
Shipping days may differ by Quantity.

Quantity of volume discount above is for representative Part No. It may differ by the Part.

Single Clevis Joint



Double Clevis Joint



Material: Carbon Steel
Surface Treatment: Chemically Nickel Plating

Single Clevis Joint

Type	No.	NC	ND	NE	NF	NG	NH	NM	NP
E-MCCRI	M3-0.5	3	12	15.5	5	5	M3X0.5	3	8
	M4-0.7	4	16	21	6.8	8	M4X0.7	4	8
	M5-0.8	5	16	21.5	7	6	M5X0.8	4.7	10
	M6-1.0	5	25	32	14	8	M6X1.0	6.2	12
	M8-1.25	8	25	34	11.5	8.5	M8X1.25	7.7	16
	M10-1.25	10	30	41	14	11	M10X1.25	9.7	20
	M12-1.25	12	48	62	24	20	M12X1.25	12	24
	M14-1.5	10	30	42	14	14	M14X1.5	17.6	22
	M16-1.5	16	64	82	32	23	M16X1.5	16	26
	M18-1.5	14	40	56	20	18	M18X1.5	21.6	28
	M20-1.5	20	80	102	40	30	M20X1.5	20	32
M22-1.5	18	50	71	27	21	M22X1.5	27.6	38	
M26-1.5	22	55	79	31	22	M26X1.5	31.6	44	

Double Clevis Joint

Type	No.	A	B	C	D	E	F	G	H	I	L
E-MCCRY	M3-0.5	15.5	12	5	6	M3X0.5	6	6	3	3	9
	M4-0.7	22	16	8	8	M4X0.7	7	8	4	4	11.5
	M5-0.8	22	16	10	10	M5X0.8	9	10	5.3	5	14.6
	M6-1.0	28	21	10	12	M6X1.0	11	12	6.6	5	16.8
	M8-1.25	34	25	16.5	16	M8X1.25	15	16	8.3	8	21
	M10-1.25	41	30	19.5	20	M10X1.25	19	20	10.3	10	26.4
	M12-1.25	62	48	24	25.4	M12X1.25	23	25.4	12	12	32.4
	M14-1.5	42	30	14	22	M14X1.5	22	36	18.4	10	42.4
	M16-1.5	80	64	32	32	M16X1.5	30	32	16	16	39
	M18-1.5	56	40	20	28	M18X1.5	28	44	22.4	14	50.4
	M20-1.5	101	80	40	40	M20X1.5	42	44.4	20	20	53.4
M22-1.5	71	50	27	38	M22X1.5	38	56	28.4	18	63.6	
M26-1.5	79	55	31	44	M26X1.5	44	64	32.4	22	72.6	

Ordering Example

Part Number - No.
E-MCCRI - M10-1.25

How to search on website



By Type Search on MISUMI official website
E-MCCRI

By Keyword Step 1 Search on MISUMI official website
knuckle joint

Step 2 Select MISUMI economy series brand
 MISUMI MISUMI economy

MISUMI contact

Tel: 038-959200 or 1382
Email: cs@misumi.co.th

MISUMI WEB "Chat"



Install MISUMI APP



14
Air Cylinders / Valves / Regulators / Shock Absorbers / O-Rings
Cylinders and Accessories
P.951
Shock Absorber
P.991
Rod End Bearings
P.999
Floating Joint
P.1004
Silencer
P.1006
Control Valves and Accessories
P.1007
Air Source Handling
P.1015
O-Rings
P.1027

New Products



Representative model: E-MCCRF-M10-1.25

Save Up to **89%**
vs Standard Type

254

THB

Shipping
from
1 day

Volume Discount

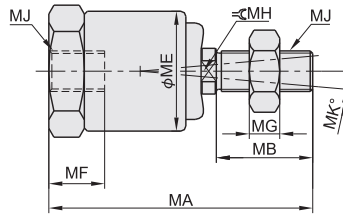
Quantity	1~9	10~14	15~
Discount	Unit Price	15%	30%



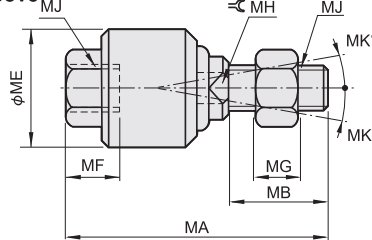
Shipping days may differ by Quantity.

Quantity of volume discount above is for representative Part No. It may differ by the Part.

Size M6 or Below



Size M8 or Above



Material: Carbon Steel
Surface Treatment: Electrophoretic Paint

Type	No.	MA	MB	ME	MF	MG	MH	MJ	MK	Radial Compensation
E-MCCRF	M3-0.5	23.5	7.5	12.8	5.5	2.4	4	M3×0.5	±5°	0.5
	M4-0.7	26	9.5	12.8	6	3	4	M4×0.7	±5°	0.5
	M5-0.8	34.5	13.5	13.8	8	4	6	M5×0.8	±5°	0.5
	M6-1.0	34.5	13.5	13.8	8	4	6	M6×1.0	±5°	0.5
	M8-1.25	51	20	24	10.5	6	8	M8×1.25	±5°	0.5
	M10-1.25	58	22	26	11	6	10	M10×1.25	±5°	0.5
	M12-1.25	58	22	28	11.5	7	12	M12×1.25	±5°	0.5
	M14-1.5	70	22.5	34.5	16	8	15	M14×1.5	±5°	0.75
	M16-1.5	90	27	44.5	19	8	17	M16×1.5	±5°	0.75
	M18-1.5	92	27	44.5	21	11	18	M18×1.5	±5°	1
	M20-1.5	102	29	53	22	10	22	M20×1.5	±5°	1.25
	M22-1.5	102	32	53	25	13	22	M22×1.5	±5°	1.25
M26-1.5	120	32	59.5	25	13	27	M26×1.5	±5°	2	

Ordering Example

Part Number - No.
E-MCCRF - M10-1.25

How to search on website



By Type Search on MISUMI official website
E-MCCRF

By Keyword Step 1 Search on MISUMI official website
floating joint

Step 2 Select MISUMI economy series brand

MISUMI MISUMI economy

MISUMI contact

Tel: 038-959200 or 1382
Email: cs@misumi.co.th

MISUMI WEB "Chat"



Install MISUMI APP



14

Air Cylinders / Valves / Regulators / Shock Absorbers / O-Rings

Cylinders and Accessories P.951

Shock Absorber

P.991

Rod End Bearings

P.999

Floating Joint P.1004

Silencer

P.1006

Control Valves and Accessories P.1007

Air Source Handling

P.1015

O-Rings

P.1027

Floating Joints Quick Connection Type With Holder

Representative model: C-FJRHA5-0.8

Save Up to **62%** vs Standard Type

175

THB

Shipping from **1 day**

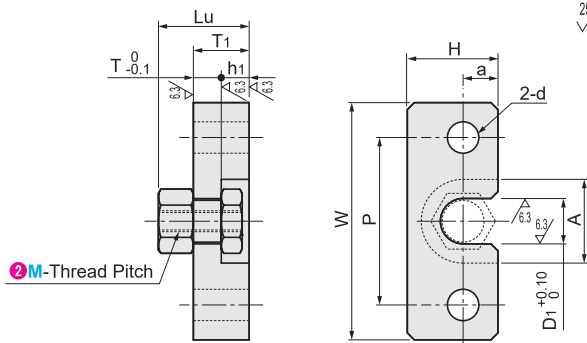


Volume Discount

Quantity	1~9	10~14	15~
Discount	Unit Price	15%	30%



Shipping days may differ by Quantity.
Quantity of volume discount above is for representative Part No. It may differ by the Part.



$25/\sqrt{6.3}$

①Type	②Connecting Thread Nominal M-Thread Pitch	Holder									
		D1	A	T1	h1	W	H	a	P	d	Lu
C-FJRHA	4-0.7	8	14	7	4	32	13	5	23	4.5	12
	5-0.8	9	16			34	14		25		13
	6-1.0	11	19	9	5	41	16.5	6	30	5.5	16
	8-1.25	14	22			44	20	8	33		17
	10-1.25	18	27	10		51	24	9	39	6.6	18

Refer to the floating joint for the parameters of the cylinder connector.

Ordering Example

Please order after selecting part number and parameters according to the selection steps ① to ②.
Part Number (①Type · ②Connecting Thread Nominal M - Thread Pitch)
C-FJRHA5-0.8

Material: Floating Joint: Equivalent to SUM Material
Surface Treatment: Hard Chromate Plating
Surface Hardness: 200HV~
Holder: General Structural Steel

Floating Joints Tapped

Representative model: C-FJR5-0.8

Save Up to **86%** vs Standard Type

44

THB

Shipping from **1 day**

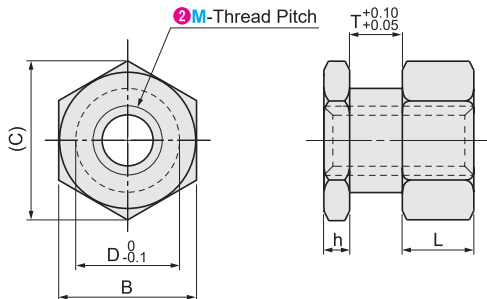


Volume Discount

Quantity	1~29	30~49	50~
Discount	Unit Price	15%	30%



Shipping days may differ by Quantity.
Quantity of volume discount above is for representative Part No. It may differ by the Part.



①Type	②Connecting Thread Nominal M-Thread Pitch	T	D	L	h	B (C)
C-FJR	4-0.7	3	7	5	3	10 11.5
	5-0.8		8	6		12 13.9
	6-1.0	4	10	7	14 16.2	
	8-1.25		13	8	17 19.6	
	10-1.25	5	16		21 24.2	

Ordering Example

Please order after selecting part number and parameters according to the selection steps ① to ②.
Part Number (①Type · ②Connecting Thread Nominal M - Thread Pitch)
C-FJR5-0.8

Material: Equivalent to SUM Material
Surface Treatment: Hard Chromate Plating
Surface Hardness: 200HV~

How to search on website



By Type

Search on MISUMI official website

C-FJR



By Keyword

Step 1 Search on MISUMI official website

floating joint



Step 2 Select MISUMI economy series brand

MISUMI



MISUMI economy

Silencer Sintered Copper, Standard

Representative model: E-PSB01



21

THB

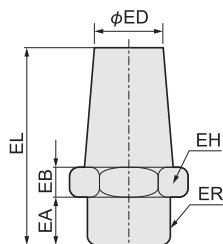


Volume Discount

Quantity	1~69	70~119	120~
Discount	Unit Price	15%	30%



Shipping days may differ by Quantity.
Quantity of volume discount above is for representative Part No. It may differ by the Part.



Material: Brass(Body)
Sintered Copper (Filter Element)
Surface Treatment: None

Ordering Example

Part Number (Type·No.)
E-PSB01

Part Number		ER	EA	EB	EL	EH	φED
Type	No.						
E-PSB	01	G1/8	5.8	4	22.5	12	7.5
	02	G1/4	7		26.5	15	9.5
	03	G3/8	9	5	36.5	18	11.5
	04	G1/2	10		40.5	21	14

Silencer Sintered Copper, Short

Representative model: E-PSS01



17

THB

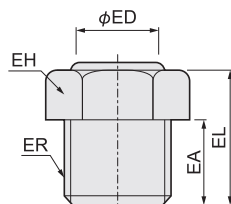


Volume Discount

Quantity	1~69	70~119	120~
Discount	Unit Price	15%	30%



Shipping days may differ by Quantity.
Quantity of volume discount above is for representative Part No. It may differ by the Part.



Material: Brass(Body)
Sintered Copper (Filter Element)
Surface Treatment: None

Ordering Example

Part Number (Type·No.)
E-PSS01

Part Number		ER	EA	EL	EH	φED
Type	No.					
E-PSS	01	G1/8	5.8	11	12	8.6
	02	G1/4	7	12.5	15	12
	03	G3/8	9	16	18	14.8
	04	G1/2	10	17	21	17.5

How to search on website



By Type

Search on MISUMI official website

E-PSS



By Keyword

Step 1 Search on MISUMI official website

silencer

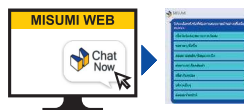
Step 2 Select MISUMI economy series brand



MISUMI contact

Tel: 038-959200 or 1382
Email: cs@misumi.co.th

MISUMI WEB "Chat"



Install MISUMI APP



14

Air Cylinders / Valves / Regulators / Shock Absorbers / O-Rings

Cylinders and Accessories P.951

Shock Absorber P.991

Rod End Bearings

P.999

Floating Joint P.1004

Silencer P.1006

Control Valves and Accessories P.1007

Air Source Handling P.1015

O-Rings

P.1027

Representative model: E-SP4V210-02-B

Save Up to **87%** vs Standard Type

332

THB

Shipping from **1 day**

Volume Discount

Quantity	1~3	4~5	6~
Discount	Unit Price	15%	30%

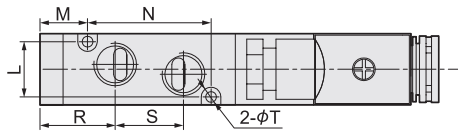


Shipping days may differ by Quantity.

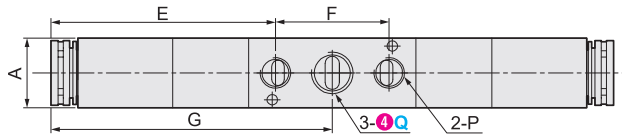
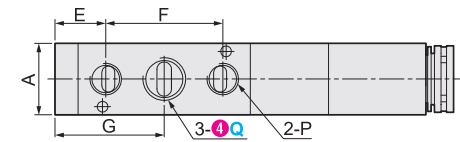
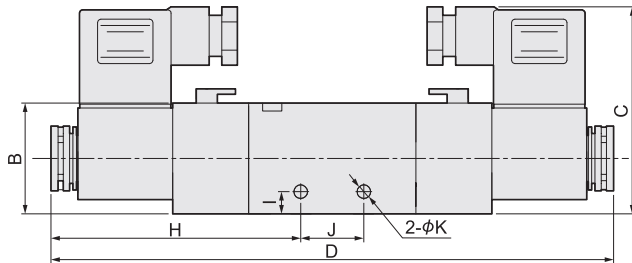
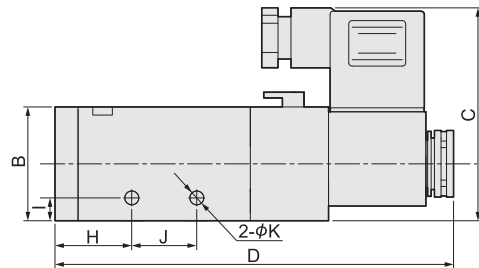
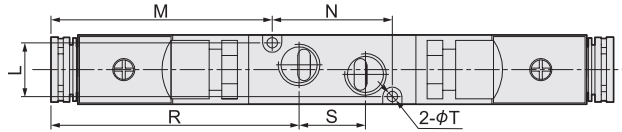
Quantity of volume discount above is for representative Part No. It may differ by the Part.

Type	Material	Surface Treatment
Solenoid Valve Main Body	Aluminum Alloy	Painted
Silencer	Copper	-

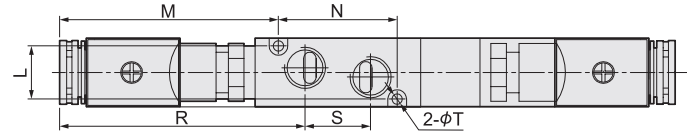
Single Coil/2-Position



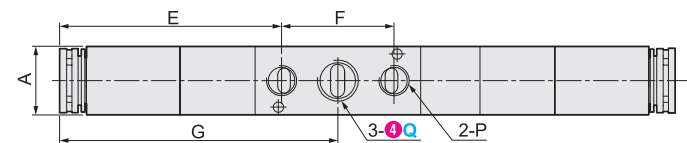
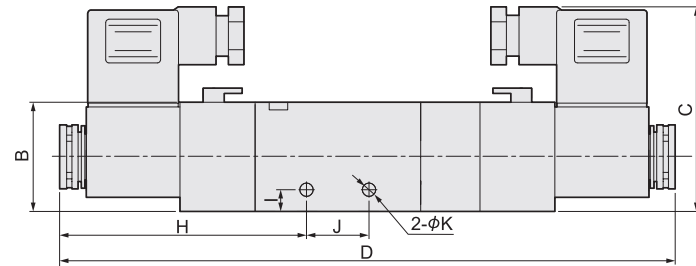
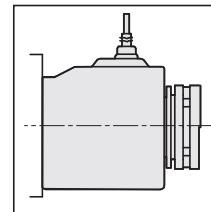
Double Coil/2-Position



Double Coil/3-Position

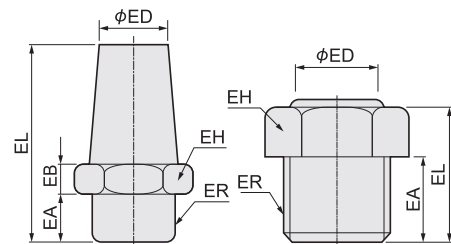


Outlet Type



Standard Silencer

Short Silencer



14

Air Cylinders / Valves / Regulators / Shock Absorbers / O-Rings

Cylinders and Accessories

P.951

Shock Absorber

P.991

Rod End Bearings

P.999

Floating Joint

P.1004

Silencer

P.1006

Control Valves and Accessories

P.1007

Air Source Handling

P.1015

O-Rings

P.1027

How to search on website



By Type

Search on MISUMI official website

E-SP4V



By Keyword

Step 1 Search on MISUMI official website

solenoid valve



Step 2 Select MISUMI economy series brand

MISUMI



MISUMI economy

Part Number			④ Piping Thread Nominal Dia. Q	⑤ Voltage	⑥ Wiring Type	⑦ Accessories (Silencer)	Exhaust Dia. P
① Type	② Specifications	③ Coil + Switching Type					
E-SP4V	1 (100 Series)	10 (Single Coil/2-Position Exhaust) 20 (Double Coil/2-Position Exhaust) 30C (Double Coil/3-Position Closed Center) 30E (Double Coil/3-Position Exhaust Center) 30P (Double Coil/3-Position Pressure Center)	01 (G1/8)	A (AC220V) B (DC24V)	- (DIN Socket Type) I (Outlet Type)	- (None) B (Standard) S (Short)	G1/8
	2 (200 Series)		01 (G1/8)				G1/4
	2 (200 Series)		02 (G1/4)				G1/4
	3 (300 Series)		02 (G1/4)				G1/4
	3 (300 Series)		03 (G3/8)				G1/4
	4 (400 Series)		04 (G1/2)				G1/2

When choosing the silencer accessory, 2 silencers are shipped in the same bundle.

Ordering Example Please order after selecting part number and parameters according to the selection steps ① to ⑦.

Part Number (①Type · ②Specification · ③Coil + Switching Type) - ④Piping Thread Nominal Dia. Q - ⑤Voltage, ⑥Wiring Type - ⑦Accessories (Silencer)

E-SP4V210 - 02 - A - B
 E-SP4210 - 02 - B - BI - B

Single Coil/2-Position

Specifications	A	B	C	D	E	F	G	I	H	J	φK	L	M	N	R	S	φT
100 Series	18	27	53.5	99.2	14.2	28	28.2	4	21.2	14	3.3	13	13.2	30	20.14	16	3.3
200 Series	22	35	65.5	122.6	15.6	36	33.6	7	23.6	20	4.3	17	14.6	38	23.1	21	
300 Series	27	40	68	142.1	22.6	45	45.1	6.4	33.1	24		20	20.1	50	33.1	24	4.3
400 Series	34	50	73	170.5	25.5	63	57	8	43	28	5.5	27	21	72	39	36	4.5

Double Coil/2-Position

Specifications	A	B	C	D	E	F	G	I	H	J	φK	L	M	N	R	S	φT
100 Series	18	27	53.5	142	57	28	71	4	64	14	3.3	13	56	30	63	16	3.3
200 Series	22	35	65.5	178	71	36	89	7	79	20	4.3	17	70	38	78.5	21	
300 Series	27	40	68	194	74.5	45	97	6.4	85	24		20	72	50	85	24	4.3
400 Series	34	50	73	227	82	63	113.5	8	99.5	28	5.5	27	77.5	72	95.5	36	4.5

Double Coil/3-Position

Specifications	A	B	C	D	E	F	G	I	H	J	φK	L	M	N	R	S	φT
100 Series	18	27	53.5	157	57	28	71	4	64	14	3.3	13	56	30	62.9	16	3.3
200 Series	22	35	65.5	197	71	36	89	7	79	20	4.3	17	70	38	78.5	21	
300 Series	27	40	68	213	74.5	45	97	6.4	85	24		20	72	50	85	24	4.3
400 Series	34	50	73	248	82	63	113.5	8	99.5	28	5.5	27	77.5	72	95.5	36	4.5

Standard Silencer

ER	EA	EB	EL	EH	φED
G1/8	5.8	4	22.5	12	7.5
G1/4	7		26.5	15	9.5
G3/8	9	5	36.5	18	11.5
G1/2	10		40.5	21	14

Short Silencer

ER	EA	EL	EH	φED
G1/8	5.8	11	12	8.6
G1/4	7	12.5	15	12
G3/8	9	16	18	14.8
G1/2	10	17	21	17.5

MISUMI contact

Tel: 038-959200 or 1382
 Email: cs@misumi.co.th

MISUMI WEB "Chat"



Install MISUMI APP



14

Air Cylinders / Valves / Regulators / Shock Absorbers / O-Rings

Cylinders and Accessories

P.951

Shock Absorber

P.991

Rod End Bearings

P.999

Floating Joint

P.1004

Silencer

P.1006

Control Valves and Accessories

P.1007

Air Source Handling

P.1015

O-Rings

P.1027

Representative model: E-SP3V210-02-NC-B



Shipping
from
1 day

356

THB

Volume Discount

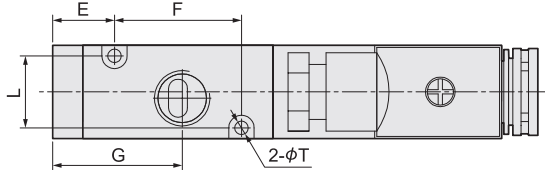
Quantity	1~3	4~5	6~
Discount	Unit Price	15%	30%



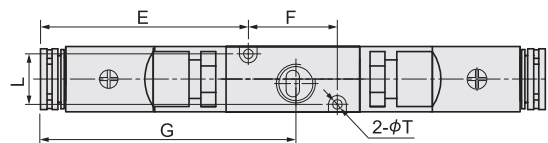
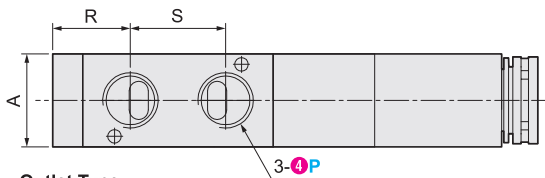
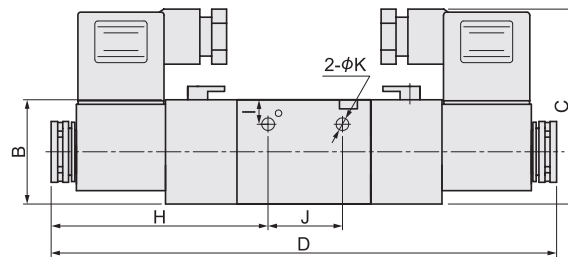
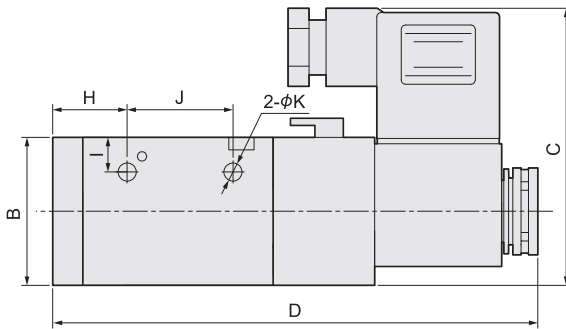
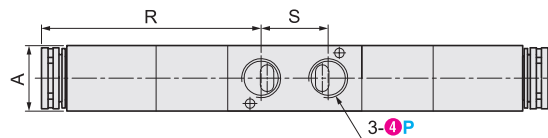
📄 Shipping days may differ by Quantity.
📄 Quantity of volume discount above is for representative Part No. It may differ by the Part.

Type	Material	Surface Treatment
Solenoid Valve Main Body	Aluminum Alloy	Painted
Silencer	Copper	-

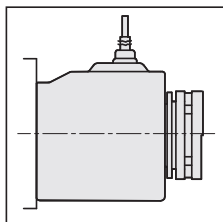
Single Coil/2-Position



Double Coil/2-Position

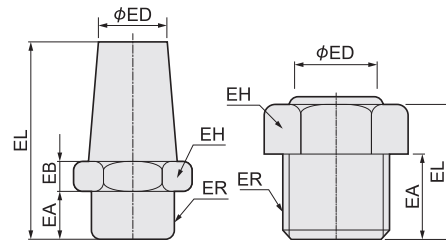


Outlet Type



Standard Silencer

Short Silencer



How to search on website



By Type

Search on MISUMI official website

E-SP3V



By Keyword

Step 1 ▶ Search on MISUMI official website

solenoid valve



Step 2 ▶ Select MISUMI economy series brand

MiSUMI



MISUMI
economy

MISUMI contact

Tel: 038-959200 or 1382
Email: cs@misumi.co.th

MISUMI WEB "Chat"



Install MISUMI APP



14

Air Cylinders / Valves / Regulators / Shock Absorbers / O-Rings

Cylinders and Accessories

P.951

Shock Absorber

P.991

Rod End Bearings

P.999

Floating Joint

P.1004

Silencer

P.1006

Control Valves and Accessories

P.1007

Air Source Handling

P.1015

O-Rings

P.1027

Part Number			④ Piping Thread Nominal Dia. P	⑤ Initial State	⑥ Voltage	⑦ Wiring Type	⑧ Accessories (Silencer)*
① Type	② Specifications	③ Coil + Switching Type					
E-SP3V	1 (100 Series)	10 (Single Coil/ 2-Position Exhaust)	01(G1/8)	NC (Normally Closed) NO (Normally Open)	A (AC220V) B (DC24V)	- (DIN Socket Type) I (Outlet Type)	- (None) B (Standard) S (Short)
	2 (200 Series)		01(G1/8)				
	2 (200 Series)		02(G1/4)				
	3 (300 Series)		02(G1/4)				
	3 (300 Series)		03(G3/8)				
	1 (100 Series)	20 (Double Coil/ 2-Position Exhaust)	01(G1/8)	-			
	2 (200 Series)		01(G1/8)				
	2 (200 Series)		02(G1/4)				
	3 (300 Series)		02(G1/4)				
	3 (300 Series)		03(G3/8)				

* When choosing the silencer accessory, 1 silencer is shipped in the same bundle.

Ordering Example

Please order after selecting part number and parameters according to the selection steps ① to ⑧.

Part Number (① Type - ② Specification - ③ Coil + Switching Type)	-	④ Piping Thread Nominal Dia. P	-	⑤ Initial State	-	⑥ Voltage, ⑦ Wiring Type	-	⑧ Accessories (Silencer)
E-SP3V210	-	02	-	NC	-	B	-	
E-SP3V210	-	02	-	NC	-	B	-	B

Single Coil/2-Position

Specifications	A	B	C	D	E	F	G	I	H	J	φK	L	R	S	φT
100 Series	18	27	53.5	87.2	13.2	19	23.2	7.5	11.7	21	3.3	13	14.5	15.5	3.3
200 Series	22	35	65.5	114.6	14.6	30	30.6	8.2	17.6	25	4.3	17	18.4	22.5	
300 Series	27	40	68	127.1	20.1	35	37.6	10	22.6	30		20	27.1	21	4.3

Double Coil/2-Position

Specifications	A	B	C	D	E	F	G	H	I	J	φK	L	R	S	φT
100 Series	18	27	53.5	130	56	19	66	54.5	7.5	21	3.3	13	57.3	15.5	3.3
200 Series	22	35	65.5	170	70	30	86	73	8.2	25	4.3	17	73.8	22.5	
300 Series	27	40	68	179	72	35	89.5	74.5	10	30		20	79	21	4.3

Standard Silencer

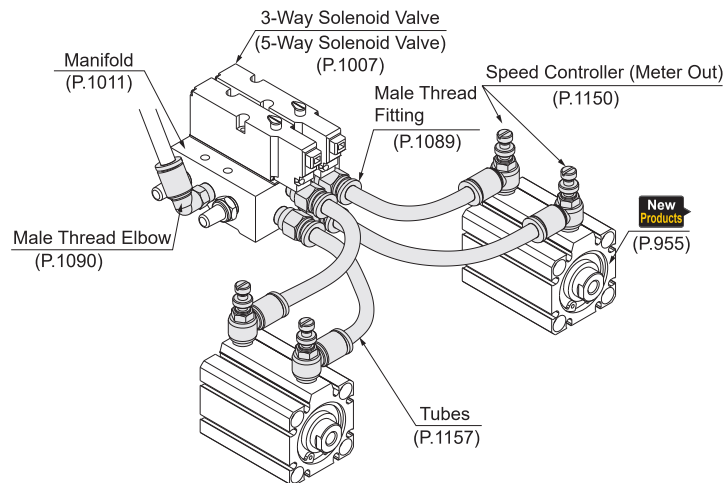
ER	EA	EB	EL	EH	φED
G1/8	5.8	4	22.5	12	7.5
G1/4	7		26.5	15	9.5
G3/8	9	5	36.5	18	11.5

Short Silencer

ER	EA	EL	EH	φED
G1/8	5.8	11	12	8.6
G1/4	7	12.5	15	12
G3/8	9	16	18	14.8



Example



MISUMI contact

Tel: 038-959200 or 1382
Email: cs@misumi.co.th

MISUMI WEB "Chat"



Install MISUMI APP



Manifold Block For 5 Ports Solenoid Valves

Representative model: E-MSP4V100-5



263

THB

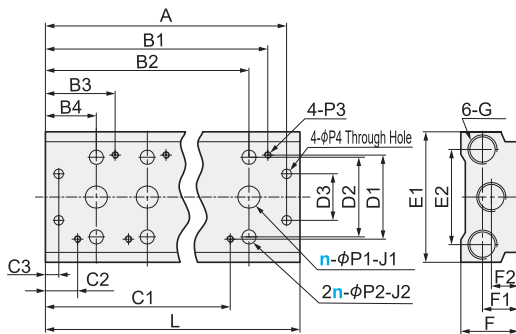
Volume Discount

Quantity	1~9	10~14	15~
Discount	Unit Price	15%	30%



Shipping days may differ by Quantity.
Quantity of volume discount above is for representative Part No. It may differ by the Part.

Material: Aluminum Alloy Surface Treatment: Painted



Part Number	③ Number of Rows (1 Row increments)	
	① Type	② Specifications
E-MSP4V	100 (100 Series)	2~16
	200 (200 Series)	
	300 (300 Series)	2~12
	400 (400 Series)	

Specifications	L	A	B1	B2	B3	B4	C1	C2	C3	D1	D2	D3
100 Series	19(n+1)	19n+14	19n+6.5	19n	25.5	19	19n-6.5	12.5	5	30	28	20
200 Series	23(n+1)	23n+17	23n+8.5	23n	31.5	23	23n-8.5	14.5	6	38	36	21
300 Series	28n+26	28n+20	28n+9	28n-1	37	27	28n-11	17	7	50	45	26
400 Series	35n+28	35n+21	35n+10	35n-3.5	45	31.5	35n-17	18	7	72	63	32

Specifications	E1	E2	F	F1	F2	G	J1	J2	φP1	φP2	φP3	P4
100 Series	58	40	23.5	12	8.5	G1/4	11	12	8	6	M3×0.5	4.3
200 Series	60	43	23.5	13	11.5	G1/4	10	13	10.2	6.5		4.5
300 Series	75	53	29	16.8	12.8	G3/8	9.5	16.8	13	8.5	M4×0.7	
400 Series	98.5	71.2	35	19.5	13.6	G1/2	8	17	14.4	12.5	M4×0.7	7.5



Please order after selecting part number and parameters according to the selection steps ① to ③.

Part Number (①Type · ②Specification) - ③Number of Rows
E-MSP4V100 - 5

Manifold Block For 3 Ports Solenoid Valves

Representative model: E-MSP3V100-5



288

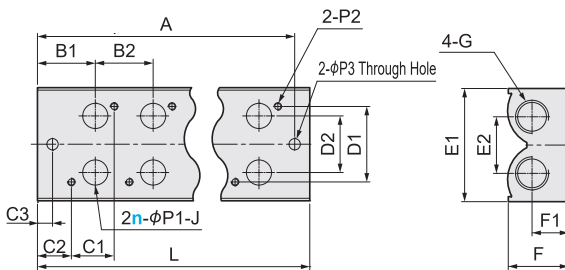
THB

Volume Discount

Quantity	1~3	4~5	6~
Discount	Unit Price	15%	30%



Shipping days may differ by Quantity.
Quantity of volume discount above is for representative Part No. It may differ by the Part.



Part Number	③ Number of Rows (1 Row increments)	
	① Type	② Specifications
E-MSP3V	100 (100 Series)	2~16
	200 (200 Series)	
	300 (300 Series)	

Specifications	A	B1	B2	C1	C2	C3	D1	D2
100 Series	19n+13.5	17.5	19	13	12	4.5	19	16
200 Series	23n+17	23	23	17	15	6	30	22.5
300 Series	28n+20	27	28	20	17		35	24

Specifications	E1	E2	F	F1	G	J	L	φP1	φP2	φP3
100 Series	31	17.5	19	11.5	G1/8	12	19n+18	8		4.5
200 Series	45	22.5	24	14.6	G1/4	14	23n+23	10	M3	
300 Series	49.9	29	27.9	15.5	G3/8	15	28n+26	8.5	M4	



Please order after selecting part number and parameters according to the selection steps ① to ③.

Part Number (①Type · ②Specification) - ③Number of Rows
E-MSP3V100 - 5

How to search on website



By Type

Search on MISUMI official website

E-MSP3V



By Keyword

Step 1 Search on MISUMI official website

manifold



Step 2 Select MISUMI economy series brand

MISUMI



MISUMI economy

Representative model: E-MVW210-02

Save Up to **87%**
vs Standard Type

Shipping
from
1 day



329

THB

Volume Discount

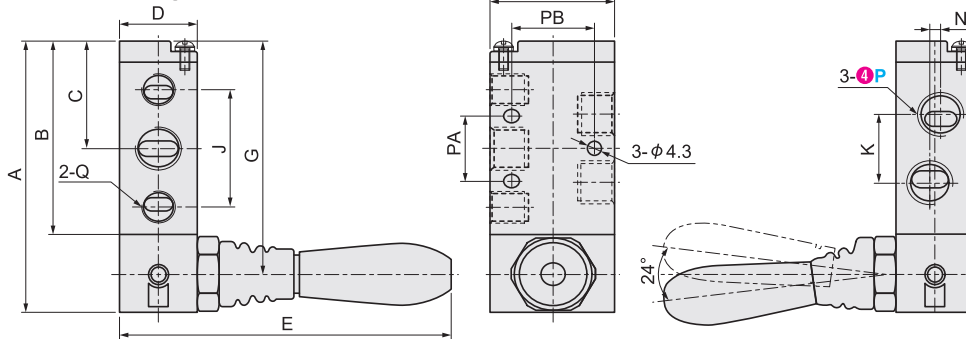
Quantity	1~3	4~5	6~
Discount	Unit Price	15%	30%



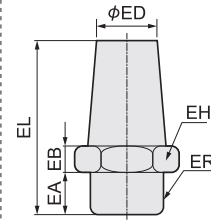
Shipping days may differ by Quantity.
Quantity of volume discount above is for representative Part No. It may differ by the Part.

Type	Material	Surface Treatment
Hand Valve Main Body	Aluminum Alloy	Painted
Silencer	Copper	-

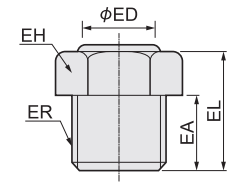
Hand Switching Valves



Standard Silencer



Short Silencer



1 Type	2 Specifications	3 Number of Positions*	4 Piping Thread Nominal Dia. P	5 Accessories (Silencer)*	Dimension												
					A	B	C	D	E	G	J	K	L	N	PA	PB	Q
E-MVW	2 (200 Series)	10 (Two-Position 5 Way)	02 (G1/4)	- (None) B (Standard) S (Short)	83.5	59.5	33	22	88.5	71.5	36	21	35	3	20	23.5	G1/8
		30 (Three-Position 5 Way)			103	79				91							
	3 (300 Series)	10 (Two-Position 5 Way)	03 (G3/8)		92.5	72.5	40	27	98	82.5	45	24	40	4	24	27	G1/4
		30 (Three-Position 5 Way)			111.5	91.5				101.5							

* When the valve is in the middle position, the ports are closed and the cylinder stays in same place.
* When choosing the silencer accessory, 2 silencers are shipped in the same bundle.

Ordering Example

Please order after selecting part number and parameters according to the selection steps 1 to 5.

Part Number (1 Type · 2 Specification · 3 Number of Positions) - 4 Piping Thread Nominal Dia. P - 5 Accessories (Silencer)
E-MVW210 - 02
E-MVW210 - 02 - B

How to search on website



By Type Search on MISUMI official website
E-MVW

By Keyword Step 1 Search on MISUMI official website
switching valve

Step 2 Select MISUMI economy series brand
 MiSUMI MiSUMI economy

Standard Silencer

ER	EA	EB	EL	EH	φED
G1/8	5.8	4	22.5	12	7.5
G1/4	7	4	26.5	15	9.5

Short Silencer

ER	EA	EL	EH	φED
G1/8	5.8	11	12	8.6
G1/4	7	12.5	15	12

MISUMI contact

Tel: 038-959200 or 1382
Email: cs@misumi.co.th

MISUMI WEB "Chat"



Install MISUMI APP



14

Air Cylinders / Valves / Regulators / Shock Absorbers / O-Rings

Cylinders and Accessories P.951

Shock Absorber P.991

Rod End Bearings P.999

Floating Joint P.1004

Silencer

P.1006 Control Valves and Accessories P.1007

Air Source Handling

P.1015

O-Rings

P.1027

Representative model: E-MVP210-02



325

THB

Volume Discount

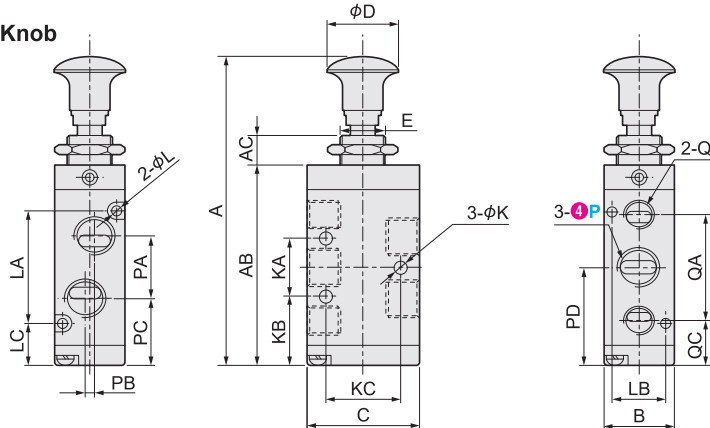
Quantity	1~3	4~5	6~
Discount	Unit Price	15%	30%



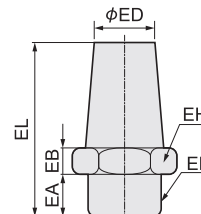
Shipping days may differ by Quantity.
Quantity of volume discount above is for representative Part No. It may differ by the Part.

Type	Material	Surface Treatment
Hand Valve Main Body	Aluminum Alloy	Painted
Silencer	Copper	-

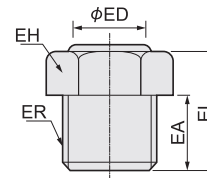
With Pull Knob



Standard Silencer



Short Silencer



Part Number	Piping Thread Nominal Dia.	Accessories (Silencer)												
<table border="1"> <tr> <th>Type</th> <th>Specifications</th> <th>Number of Positions*</th> </tr> <tr> <td>1 (100 Series)</td> <td rowspan="3">10 (Two-Position 5-Way)</td> <td rowspan="3">01 (G1/8)</td> </tr> <tr> <td>2 (200 Series)</td> <td rowspan="2">02 (G1/4)</td> </tr> <tr> <td>3 (300 Series)</td> <td>03 (G3/8)</td> </tr> </table>	Type	Specifications	Number of Positions*	1 (100 Series)	10 (Two-Position 5-Way)	01 (G1/8)	2 (200 Series)	02 (G1/4)	3 (300 Series)	03 (G3/8)	<table border="1"> <tr> <td>(None)</td> </tr> <tr> <td>B (Standard)</td> </tr> <tr> <td>S (Short)</td> </tr> </table>	(None)	B (Standard)	S (Short)
Type	Specifications	Number of Positions*												
1 (100 Series)	10 (Two-Position 5-Way)	01 (G1/8)												
2 (200 Series)			02 (G1/4)											
3 (300 Series)				03 (G3/8)										
(None)														
B (Standard)														
S (Short)														

*When choosing the silencer accessory, 2 silencers are shipped in the same bundle.

Specifications	A	AB	AC	B	C	D	E	K	KA	KB	KC
100 Series	98.3	60.6	10	18	27	22.5	M12×0.75	3	14	22.6	0
200 Series	108	68.5		22	35		M14×1	4.3	20	23.5	23.5
300 Series	123	80.5	27	40	24.1	M16×1		24	27.5	27	

Specifications	L	LA	LB	LC	P	PA	PB	PC	PD	Q	QA	QC
100 Series	3	30	13	14.6	G1/8	16	2.8	21.6	29.6	G1/8	28	15.6
200 Series						21	3	22.7	33.2		36	15.2
300 Series					G1/4	24	4	27.5	39.5	G1/4	45	17

Ordering Example

Please order after selecting part number and parameters according to the selection steps 1 to 5.

Part Number(1 Type · 2 Specification · 3 Number of Positions) - 4 Piping Thread Nominal Dia. P - 5 Accessories (Silencer)

E-MVP210 - 02 - B

How to search on website



By Type Search on MISUMI official website
E-MVP

By Keyword Step 1 Search on MISUMI official website
switching valve

Step 2 Select MISUMI economy series brand
 MISUMI MISUMI economy

Standard Silencer

R	A	B	L	H	φD
G1/8	5.8	4	22.5	12	7.5
G1/4	7		26.5	15	9.5

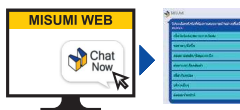
Short Silencer

R	A	L	H	φD
G1/8	5.8	11	12	8.6
G1/4	7	12.5	15	12

MISUMI contact

Tel: 038-959200 or 1382
Email: cs@misumi.co.th

MISUMI WEB "Chat"



Install MISUMI APP



Representative model: E-MVR210-02

Save Up to **79%**
vs Standard Type

Shipping
from
1 day



451 THB

Volume Discount

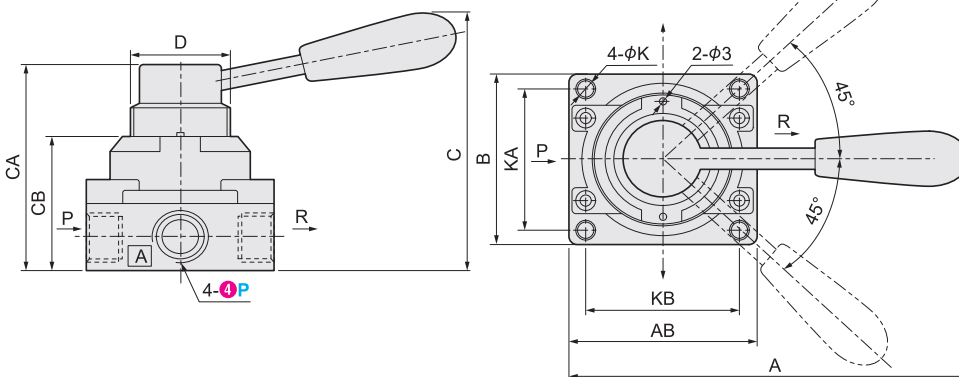
Quantity	1~3	4~5	6~
Discount	Unit Price	15%	30%



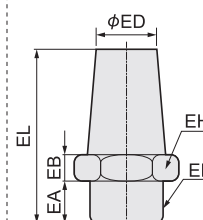
Shipping days may differ by Quantity.
Quantity of volume discount above is for representative Part No. It may differ by the Part.

Type	Material	Surface Treatment
Hand Valve Main Body	Aluminum Alloy	Painted
Silencer	Copper	-

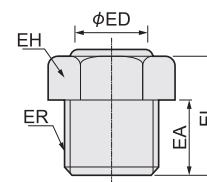
With Lever



Standard Silencer



Short Silencer



1 Type	2 Specifications	3 Number of Positions*	Piping Thread Nominal Dia. 4 P	5 Accessories (Silencer)*	Dimension									
					A	AB	B	C	CA	CB	D	K	KA	KB
E-MVR	2 (200 Series)	10 (Two-Position 4-Way)	02(G1/4)	- (None) B (Standard) S (Short)	116	62	62	85	73	45	M34×1.5	5.5	49	49
			02(G1/4)											
	03(G3/8)	135	73.5		73.5	100	88.5	56	M40×1.5	6.5	62	62		

*When the valve is in the middle position, the ports are closed and the cylinder stays in same place.
*When choosing the silencer accessory, 1 silencers are shipped in the same bundle.

Ordering Example

Please order after selecting part number and parameters according to the selection steps 1 to 5.

Part Number (1 Type · 2 Specification · 3 Number of Positions) - (4 Piping Thread Nominal Dia. P) - (5 Accessories (Silencer))
E-MVR210 - 02 - B

How to search on website



By Type

Search on MISUMI official website

E-MVR

By Keyword

Step 1 Search on MISUMI official website

switching valve

Step 2 Select MISUMI economy series brand

MiSUMI

Standard Silencer

ER	EA	EB	EL	EH	phi ED
G1/4	7	4	26.5	15	9.5
G3/8	9	5	36.5	18	11.5

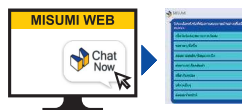
Short Silencer

ER	EA	EL	EH	phi ED
G1/4	7	12.5	15	12
G3/8	9	16	18	14.8

MISUMI contact

Tel: 038-959200 or 1382
Email: cs@misumi.co.th

MISUMI WEB "Chat"



Install MISUMI APP



14

Air Cylinders / Valves / Regulators / Shock Absorbers / O-Rings

Cylinders and Accessories P.951

Shock Absorber P.991

Rod End Bearings P.999

Floating Joint P.1004

Silencer

P.1006

Control Valves and Accessories P.1007

Air Source Handling

P.1015

O-Rings

P.1027

New Products



Representative model: E-MFR1-2-G

Save Up to **87%** vs Standard Type

353

THB



Volume Discount

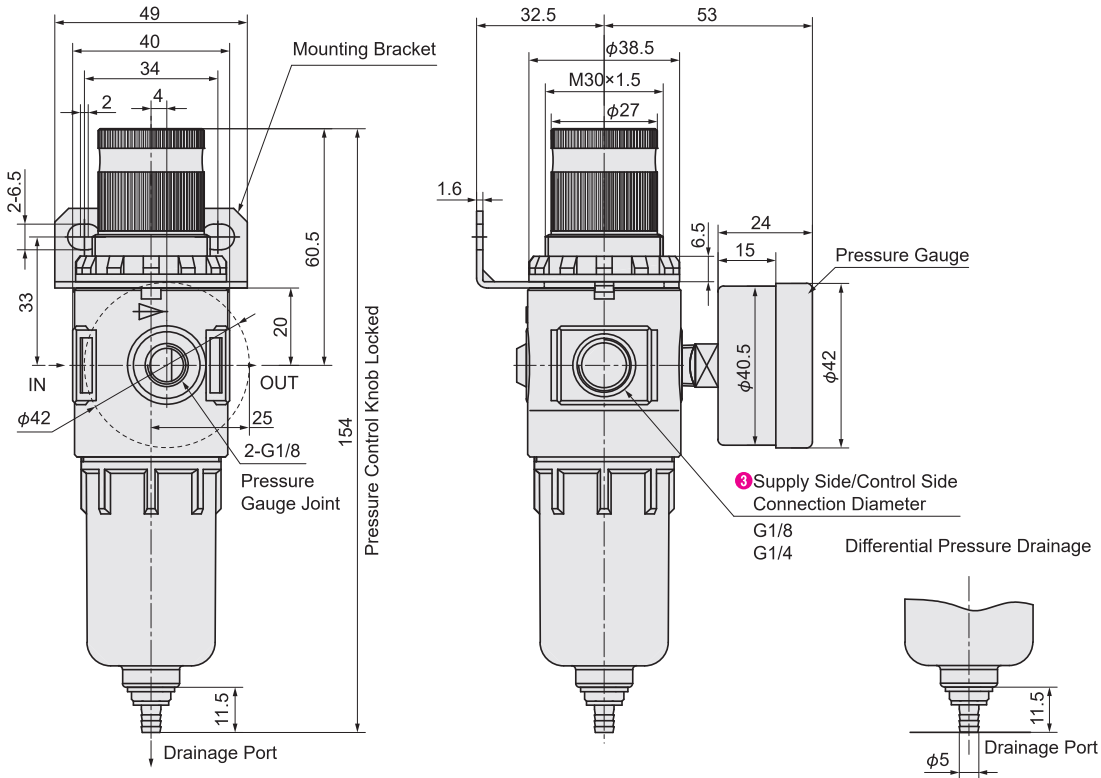
Quantity	1~3	4~5	6~
Discount	Unit Price	15%	30%



Shipping days may differ by Quantity.
Quantity of volume discount above is for representative Part No. It may differ by the Part.

Type	Material	Surface Treatment
Body	ADC 12	Painting
Filter Cup	PC	-
Button, Knob	POM	-
Pressure Gauge	Carbon Steel	Painting
Cartridge	Brass	-
Drain Valve	Brass	Nickel Plating
Cup Cover	Cold Rolled Sheet	Painting

E-MFR1 (2)MINI



14
Air Cylinders / Valves / Regulators / Shock Absorbers / O-Rings

Cylinders and Accessories
P.951

Shock Absorber
P.991

Rod End Bearings
P.999

Floating Joint
P.1004

Silencer
P.1006

Control Valves and Accessories
P.1007

Air Source Handling
P.1015

O-Rings
P.1027

How to search on website

By Type: Search on MISUMI official website

By Keyword: Step 1 Search on MISUMI official website Step 2 Select MISUMI economy series brand MISUMI MISUMI economy

MISUMI contact

Tel: 038-959200 or 1382
Email: cs@misumi.co.th

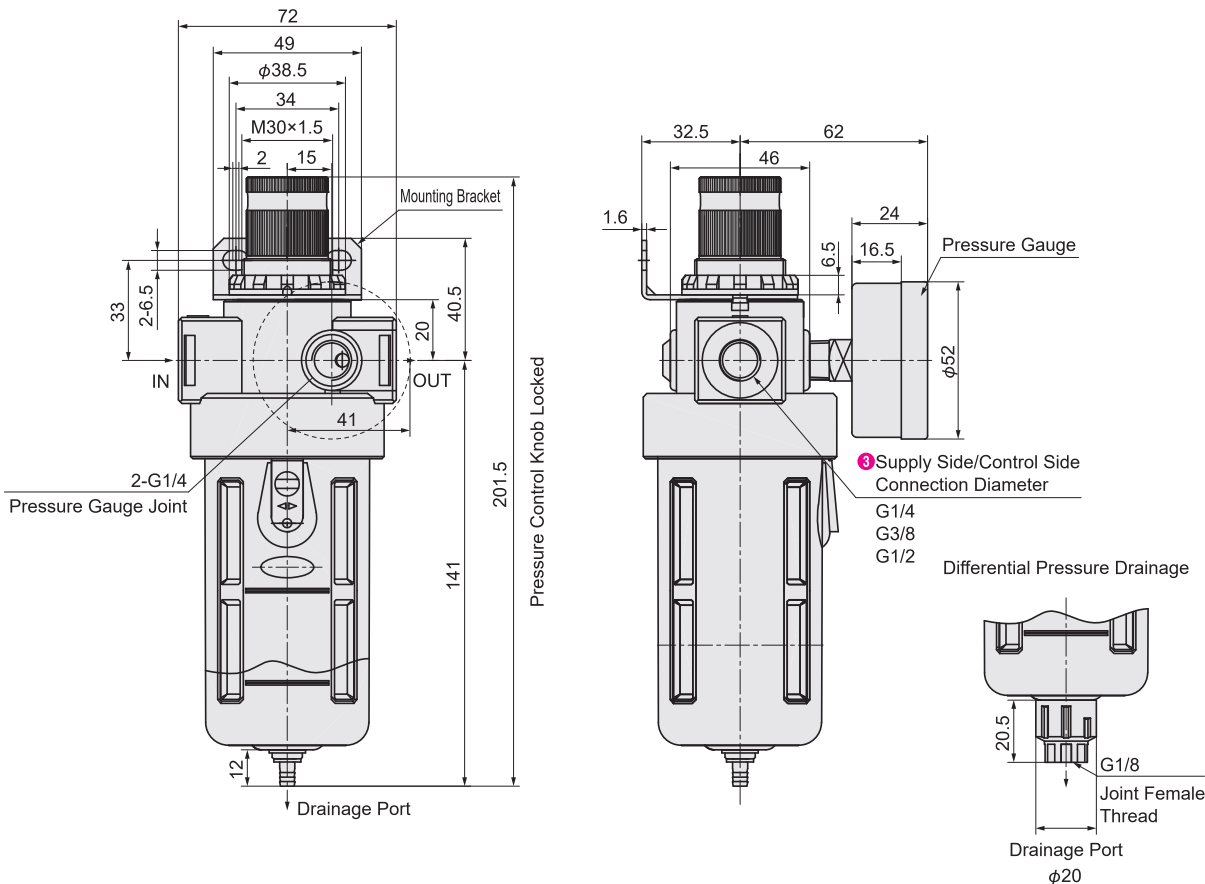
MISUMI WEB "Chat"



Install MISUMI APP



E-MFR2 (MAXI)



Part Number	③ Supply / Control Side Connection Dimension	④ Thread Type	Water Filter Cup Capacity	Cartridge Precision	Drainage Method	Pressure Regulation Range	Pressure Gauge	Pressure Gauge Mounting Thread	Pressure Scale Unit	Medium	Max. Operating Pressure	Withstanding Pressure	Temperature Range	Mass (g)
① Type	② Capacity Size													
E-MFR	1 (MINI)	1 (1/8)	15cc	40μm	Differential Pressure Type	0.15~0.9MPa (20~130Psi)	Provided	PT1/8	MPa/Psi	Air	1MPa (145Psi)	1.5MPa (215Psi)	-5~70°C	297
		2 (1/4)												
	2 (MAXI)	2 (1/4)	60cc											
		3 (3/8)												
		4 (1/2)												

Ordering Example

Please order after selecting part number and parameters according to the selection steps ① to ④.
 Part Number (① Type · ② Capacity Size) - ③ Connection Dimension - ④ Thread Type
 E-MFR1 - 2 - G

- 14 Air Cylinders / Valves / Regulators / Shock Absorbers / O-Rings
- Cylinders and Accessories P.951
- Shock Absorber P.991
- Rod End Bearings P.999
- Floating Joint P.1004
- Silencer P.1006
- Control Valves and Accessories P.1007
- Air Source Handling P.1015
- O-Rings P.1027

MISUMI contact
 Tel: 038-959200 or 1382
 Email: cs@misumi.co.th

MISUMI WEB "Chat"

Install MISUMI APP

New Products



Representative model: E-MC2-3-G

Save Up to **66%** vs Standard Type

1,251 THB

Shipping from **1 day**

Volume Discount

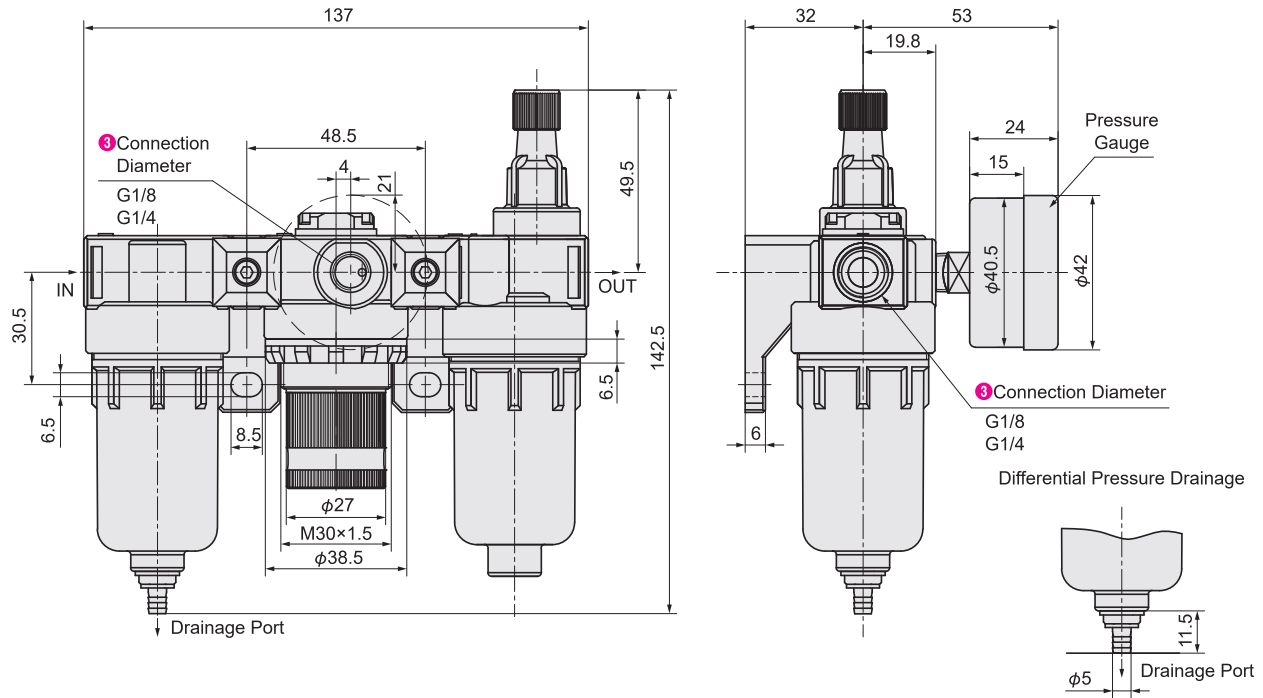
Quantity	1~3	4~5	6~
Discount	Unit Price	15%	30%



Shipping days may differ by Quantity.
Quantity of volume discount above is for representative Part No. It may differ by the Part.

Type	Material	Surface Treatment
Body	ADC12	Painting
Filter Cup	PC	-
Oil Cup	PC	-
Button, Knob	POM	-
Pressure Gauge	Carbon Steel	Painting
Cartridge	Brass	-
Drain Valve	Brass	Nickel Plating
Cup Cover	Cold Rolled Sheet	Painting

E-MC1 (2)MINI



How to search on website

By Type: Search on MISUMI official website

By Keyword: Step 1 Search on MISUMI official website Step 2 Select MISUMI economy series brand

MISUMI

MISUMI contact

Tel: 038-959200 or 1382
Email: cs@misumi.co.th

MISUMI WEB "Chat"



Install MISUMI APP



14

Air Cylinders / Valves / Regulators / Shock Absorbers / O-Rings

Cylinders and Accessories

P.951

Shock Absorber

P.991

Rod End Bearings

P.999

Floating Joint

P.1004

Silencer

P.1006

Control Valves and Accessories

P.1007

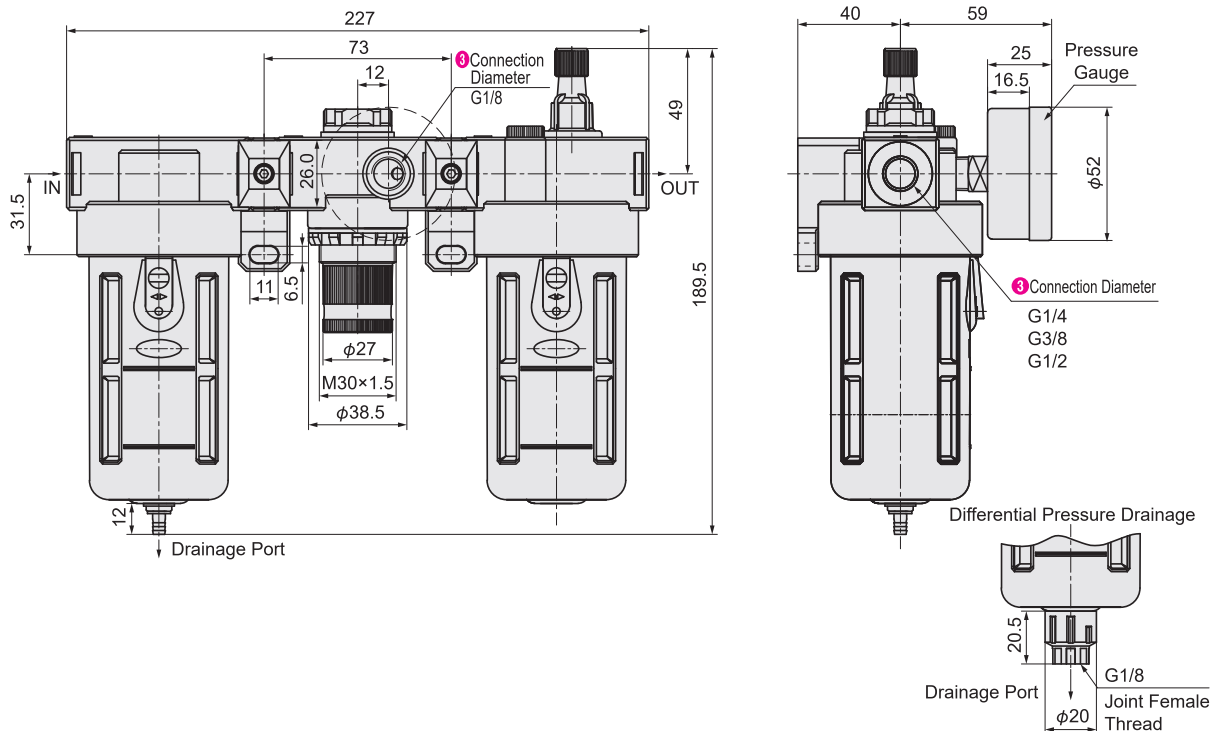
Air Source Handling

P.1015

O-Rings

P.1027

E-MC2 (2 MAXI)



Part Number	② Connection Dia.	④ Thread Type	Water Filter Cup Capacity	Oil Spray Cup Capacity	Cartridge Precision	Drainage Method	Pressure Regulation Range	Pressure Gauge	Pressure Gauge Mounting Thread	Pressure Scale Unit	Medium	Recommended Operating Oil Grade Number	Max. Operating Pressure	Withstanding Pressure	Temperature Range	Mass (g)
① Type	② Capacity Size	④														
E-MC	1 (MINI)	1 (1/8)	15cc	25cc	40μm	Differential Pressure Type	0.15~0.9MPa (20~130Psi)	Provided	PT1/8	MPa/Psi	Air	ISO VG32 Equivalent Oil	1MPa (145Psi)	1.5MPa (215Psi)	-5~70°C	473
		2 (1/4)														
	2 (MAXI)	2 (1/4)	60cc	90cc	40μm	Differential Pressure Type	0.15~0.9MPa (20~130Psi)	Provided	PT1/4	MPa/Psi	Air	ISO VG32 Equivalent Oil	1MPa (145Psi)	1.5MPa (215Psi)	-5~70°C	1137
		3 (3/8)														
		4 (1/2)														

Ordering Example

Please order after selecting part number and parameters according to the selection steps ① to ④.

Part Number (①Type-②Capacity Size) - ③Connection Diameter - ④Thread Type
 E-MC2 - 3 - G

- 14 Air Cylinders / Valves / Regulators / Shock Absorbers / O-Rings
- Cylinders and Accessories P.951
- Shock Absorber P.991
- Rod End Bearings P.999
- Floating Joint P.1004
- Silencer P.1006
- Control Valves and Accessories P.1007
- Air Source Handling P.1015
- O-Rings P.1027

MISUMI contact

Tel: 038-959200 or 1382
 Email: cs@misumi.co.th

MISUMI WEB "Chat"



Install MISUMI APP



New Products



Representative model: E-MFC1-2-G

Save Up to **85%**
vs Standard Type

547

THB



Volume Discount

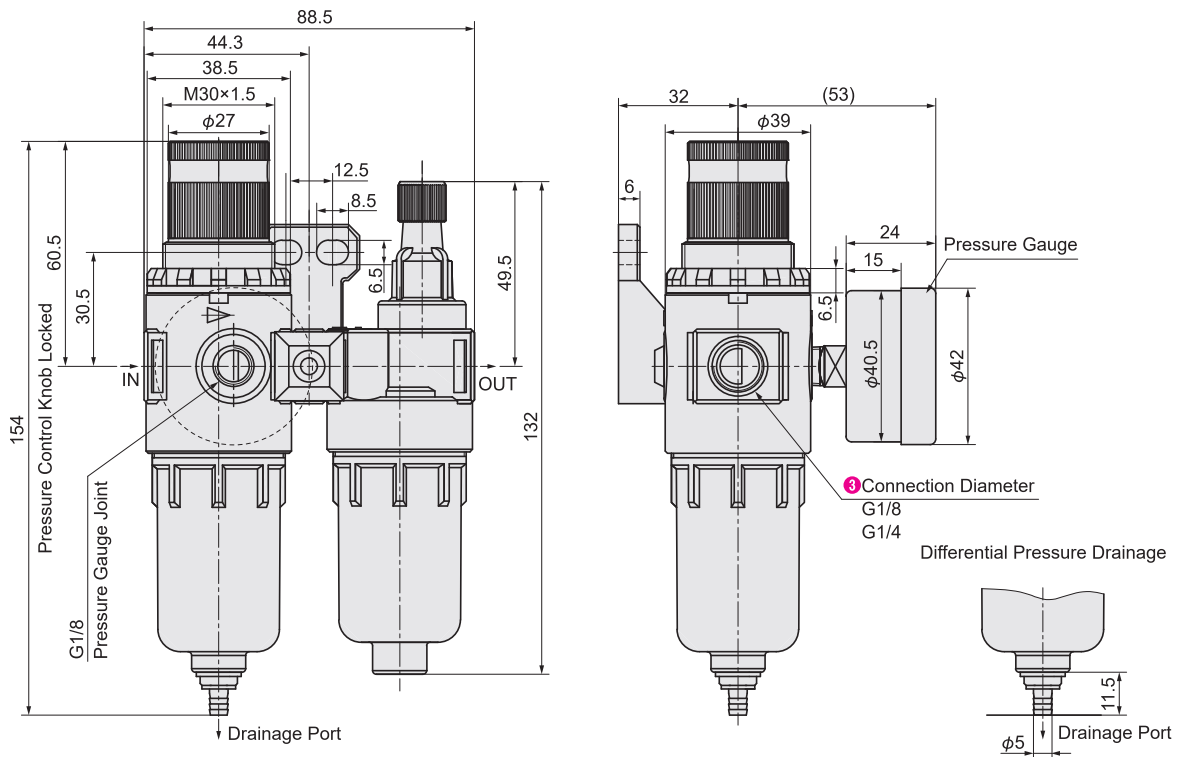
Quantity	1~3	4~5	6~
Discount	Unit Price	15%	30%



Shipping days may differ by Quantity.
Quantity of volume discount above is for representative Part No. It may differ by the Part.

Type	Material	Surface Treatment
Body	ADC12	Painting
Filter Cup	PC	-
Oil Cup	PC	-
Button, Knob	POM	-
Pressure Gauge	Carbon Steel	Painting
Cartridge	Brass	-
Drain Valve	Brass	Nickel Plating
Cup Cover	Cold Rolled Sheet	Painting

E-MFC1 (2MINI)



14
Air Cylinders / Valves / Regulators / Shock Absorbers / O-Rings

Cylinders and Accessories
P.951

Shock Absorber
P.991

Rod End Bearings
P.999

Floating Joint
P.1004

Silencer
P.1006

Control Valves and Accessories
P.1007

Air Source Handling
P.1015

O-Rings
P.1027

How to search on website



By Type: Search on MISUMI official website
E-MFC

By Keyword: Step 1 Search on MISUMI official website
frl unit

Step 2 Select MISUMI economy series brand

MiSUMI **MISUMI economy**

MISUMI contact

Tel: 038-959200 or 1382
Email: cs@misumi.co.th

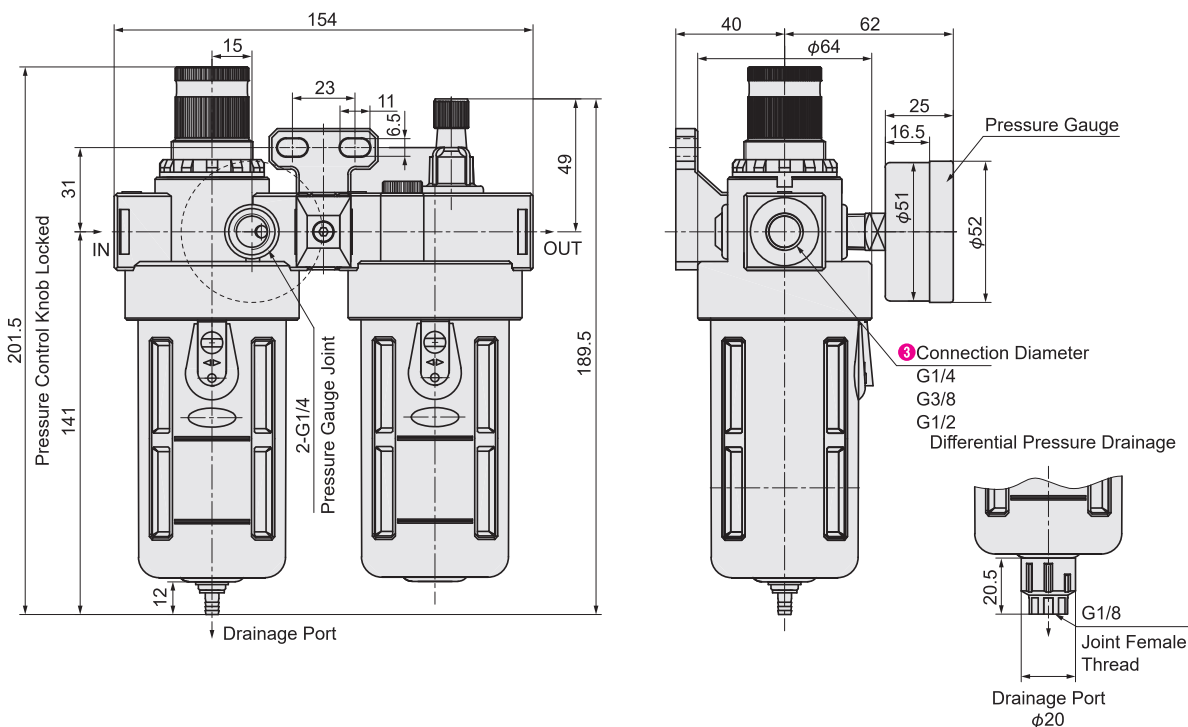
MISUMI WEB "Chat"



Install MISUMI APP



E-MFC2 (2 MAXI)



Part Number	① Type	② Capacity Size	③ Connection Dia.	④ Thread Type	Water Filter Cup Capacity	Oil Spray Cup Capacity	Cartridge Precision	Drainage Method	Pressure Regulation Range	Pressure Gauge	Pressure Gauge Mounting Thread	Pressure Scale Unit	Medium	Recommended Operating Oil Grade Number	Max. Operating Pressure	Withstanding Pressure	Temperature Range	Mass (g)
E-MFC	1 (MINI)	1 (1/8)	2 (1/4)	G (Thread G)	15cc	25cc	40μm	Differential Pressure Type	0.15~0.9MPa (20~130Psi)	Provided	PT1/8	MPa/Psi	Air	ISO VG32 Equivalent Oil	1MPa (145Psi)	1.5MPa (215Psi)	-5~70°C	411
	2 (MAXI)	3 (3/8)	4 (1/2)	G (Thread G)	60cc	90cc	40μm	Differential Pressure Type	0.15~0.9MPa (20~130Psi)	Provided	PT1/4	MPa/Psi	Air	ISO VG32 Equivalent Oil	1MPa (145Psi)	1.5MPa (215Psi)	-5~70°C	900

Ordering Example

Please order after selecting part number and parameters according to the selection steps ① to ④.

Part Number (① Type · ② Capacity Size) - ③ Connection Dia. - ④ Thread Type
 E-MFC1 - 2 - G

14

Air Cylinders / Valves / Regulators / Shock Absorbers / O-Rings

Cylinders and Accessories

P.951

Shock Absorber

P.991

Rod End Bearings

P.999

Floating Joint

P.1004

Silencer

P.1006

Control Valves and Accessories

P.1007

Air Source Handling

P.1015

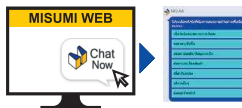
O-Rings

P.1027

MISUMI contact

Tel: 038-959200 or 1382
 Email: cs@misumi.co.th

MISUMI WEB "Chat"



Install MISUMI APP



New Products



Representative model: E-MR1-2-G

Save Up to **80%** vs Standard Type

293

THB

Shipping from **1 day**

Volume Discount

Quantity	1~3	4~5	6~
Discount	Unit Price	15%	30%



Shipping days may differ by Quantity.
Quantity of volume discount above is for representative Part No. It may differ by the Part.

Type	Material	Surface Treatment
Body	ADC 12	Painting
Knob	POM	-
Pressure Gauge	Carbon Steel	Painting
Mounting Bracket	Carbon Steel	Nickel Plating

14
Air Cylinders / Valves / Regulators / Shock Absorbers / O-Rings

Cylinders and Accessories
P.951

Shock Absorber

P.991

Rod End Bearings

P.999

Floating Joint

P.1004

Silencer

P.1006

Control Valves and Accessories

P.1007

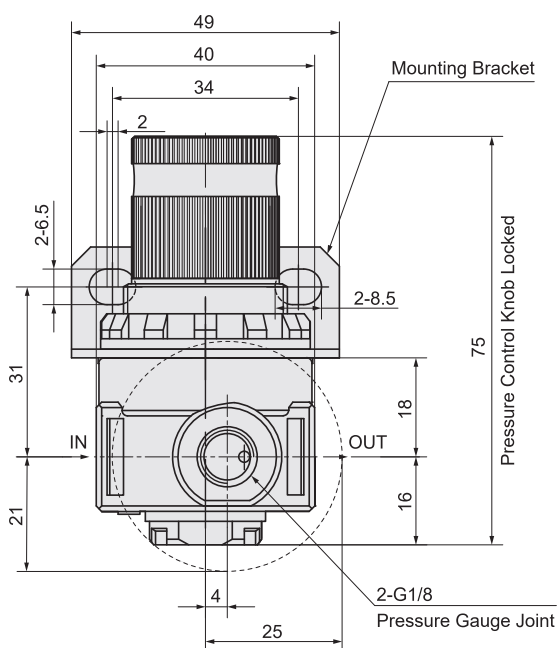
Air Source Handling

P.1015

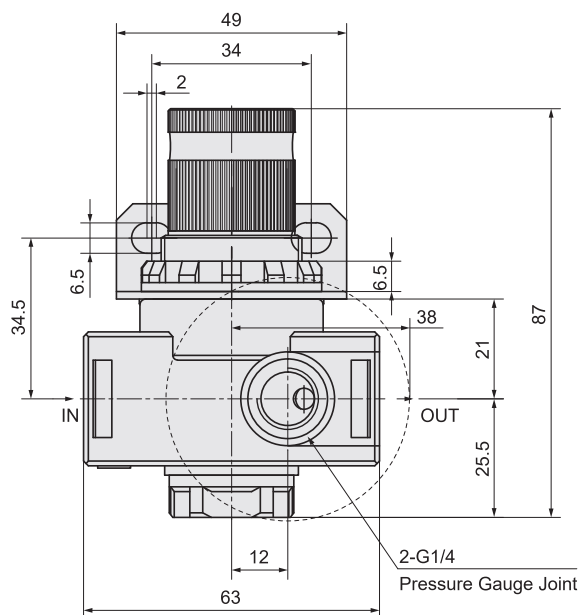
O-Rings

P.1027

E-MRS2 (Single Product)



E-MRS1 (Single Product)



How to search on website



By Type: Search on MISUMI official website
E-MR

By Keyword: Step 1 Search on MISUMI official website
regulator

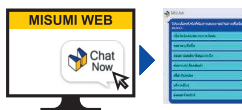
Step 2 Select MISUMI economy series brand

MISUMI MISUMI economy

MISUMI contact

Tel: 038-959200 or 1382
Email: cs@misumi.co.th

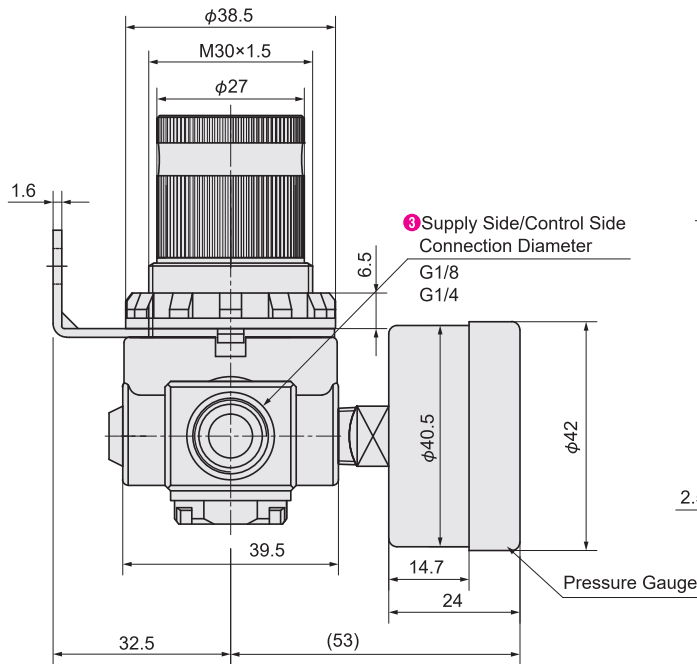
MISUMI WEB "Chat"



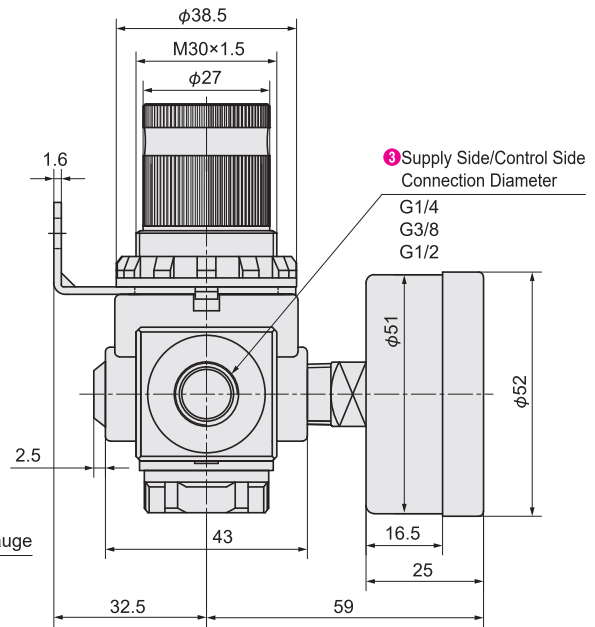
Install MISUMI APP



E-MR2 (Assembled Product)



E-MR1 (Assembled Product)



Part Number		③ Supply / Control Side Connection Dimension	④ Thread Type	Pressure Regulation Range	Pressure Gauge & Bracket	Pressure Gauge Mounting Thread	Pressure Scale Unit	Medium	Max. Operating Pressure	Withstanding Pressure	Temperature Range	Mass (g)									
① Type	② Capacity Size																				
E-MRS (Single Product)	1(MINI)	1(1/8)	G (Thread G)	0.15~0.9MPa (20~130Psi)	Not Provided	-	-	Air	1MPa (145Psi)	1.5MPa (215Psi)	-5~70°C	130									
		2(1/4)																			
	2(MAXI)	2(1/4)																			
		3(3/8)																			
E-MR (Assembled Product)	1(MINI)	1(1/8)										G	0.15~0.9MPa (20~130Psi)	Provided	PT1/8	MPa/ Psi	Air	1MPa (145Psi)	1.5MPa (215Psi)	-5~70°C	221
		2(1/4)																			
	2(MAXI)	3(3/8)																			
		4(1/2)																			
		2(1/4)																			
		4(1/2)																			

Ordering Example

Please order after selecting part number and parameters according to the selection steps ① to ④.

Part Number (① Type · ② Capacity Size) - ③ Connection Dimension - ④ Thread Type
 E-MR1 - 2 - G
 E-MRS2 - 3 - G

14

Air Cylinders / Valves / Regulators / Shock Absorbers / O-Rings

Cylinders and Accessories P.951

Shock Absorber P.991

Rod End Bearings

P.999

Floating Joint

P.1004

Silencer

P.1006

Control Valves and Accessories

P.1007

Air Source Handling

P.1015

O-Rings

P.1027

MISUMI contact

Tel: 038-959200 or 1382
 Email: cs@misumi.co.th

MISUMI WEB "Chat"



Install MISUMI APP



New Products



Representative model: E-MF1-2-G

Save Up to **82%** vs Standard Type

172 THB

Shipping from **1 day**

Volume Discount

Quantity	1~9	10~14	15~
Discount	Unit Price	15%	30%



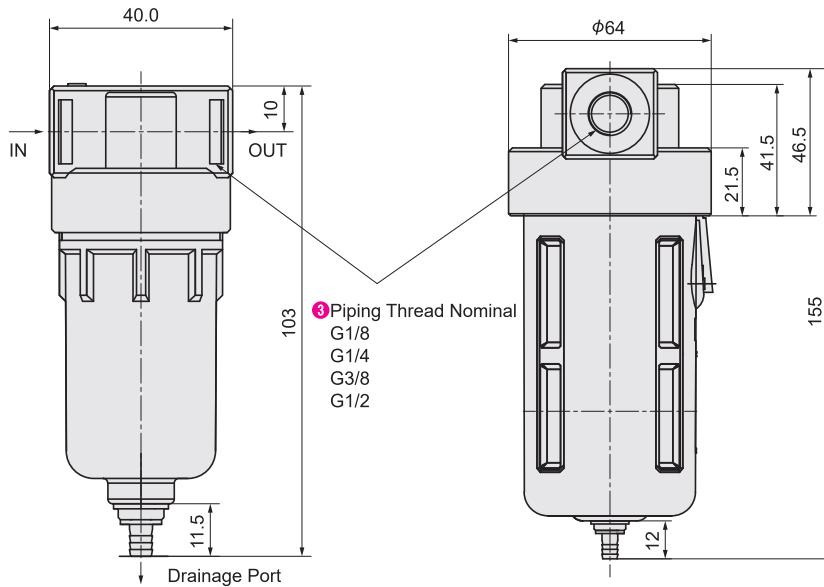
Shipping days may differ by Quantity.
Quantity of volume discount above is for representative Part No. It may differ by the Part.

Type	Material	Surface Treatment
Body	ADC12	Painting
Filter Cup	PC	-
Button	POM	-
Cartridge	Brass	-
Drain Valve	Brass	Nickel Plating
Cup Cover	Cold Rolled Sheet	Painting

1 Positive Pressure Environment

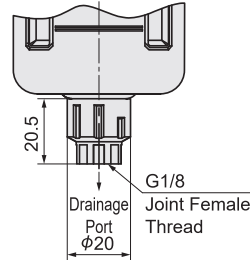
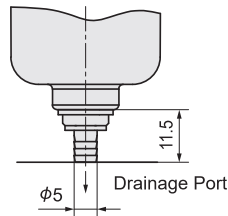
E-MF1 (MINI)

E-MF2 (MAXI)



Differential Pressure Drainage

Differential Pressure Drainage



How to search on website



By Type

Search on MISUMI official website

By Keyword

Step 1 Search on MISUMI official website

Step 2 Select MISUMI economy series brand

MISUMI MISUMI economy

MISUMI contact

Tel: 038-959200 or 1382
 Email: cs@misumi.co.th

MISUMI WEB "Chat"



Install MISUMI APP



14

Air Cylinders / Valves / Regulators / Shock Absorbers / O-Rings

Cylinders and Accessories
 P.951

Shock Absorber

P.991

Rod End Bearings

P.999

Floating Joint

P.1004

Silencer

P.1006

Control Valves and Accessories

P.1007

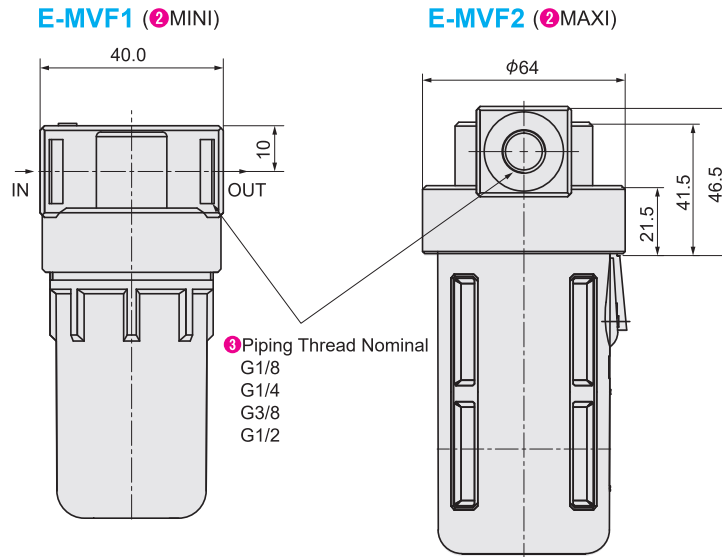
Air Source Handling

P.1015

O-Rings

P.1027

① Negative Pressure Environment



Part Number		③ Piping Thread Nominal	④ Thread Type	Drainage Method	Water Filter Cup Capacity	Cartridge Precision	Medium	Max. Operating Pressure	Withstanding Pressure	Temperature Range	Mass (g)					
① Type	② Capacity Size															
E-MF (Positive Pressure)	1(MINI)	1(1/8)	G (Thread G)	Differential Pressure Type (For Positive Pressure)	15CC	40μm	Air	1MPa (145Psi)	1.5MPa (215Psi)	-5~70°C	116					
		2(1/4)									400					
	2(MAXI)	2(1/4)			60CC						106					
		3(3/8)			Without Drainage (For Negative Pressure)						60CC	386				
E-MVF (Negative Pressure)	1(MINI)	1(1/8)		Without Drainage (For Negative Pressure)									15CC	40μm	Air	1MPa (145Psi)
		2(1/4)			386											
	2(MAXI)	2(1/4)			60CC						106					
		3(3/8)			60CC						386					
		4(1/2)														

Ordering Example

Please order after selecting part number and parameters according to the selection steps ① to ④.

Part Number (① Type · ② Capacity Size) - ③ Piping Thread Nominal - ④ Thread Type
 E-MF1 - 2 - G

14 Air Cylinders / Valves / Regulators / Shock Absorbers / O-Rings

Cylinders and Accessories P.951

Shock Absorber P.991

Rod End Bearings P.999

Floating Joint P.1004

Silencer P.1006

Control Valves and Accessories P.1007

Air Source Handling P.1015

O-Rings P.1027

MISUMI contact
 Tel: 038-959200 or 1382
 Email: cs@misumi.co.th

MISUMI WEB "Chat"

Install MISUMI APP

New Products



Representative model: E-ML1-2-G

Save Up to **87%**
vs Standard Type

173

THB

Shipping
from
1 day

Volume Discount

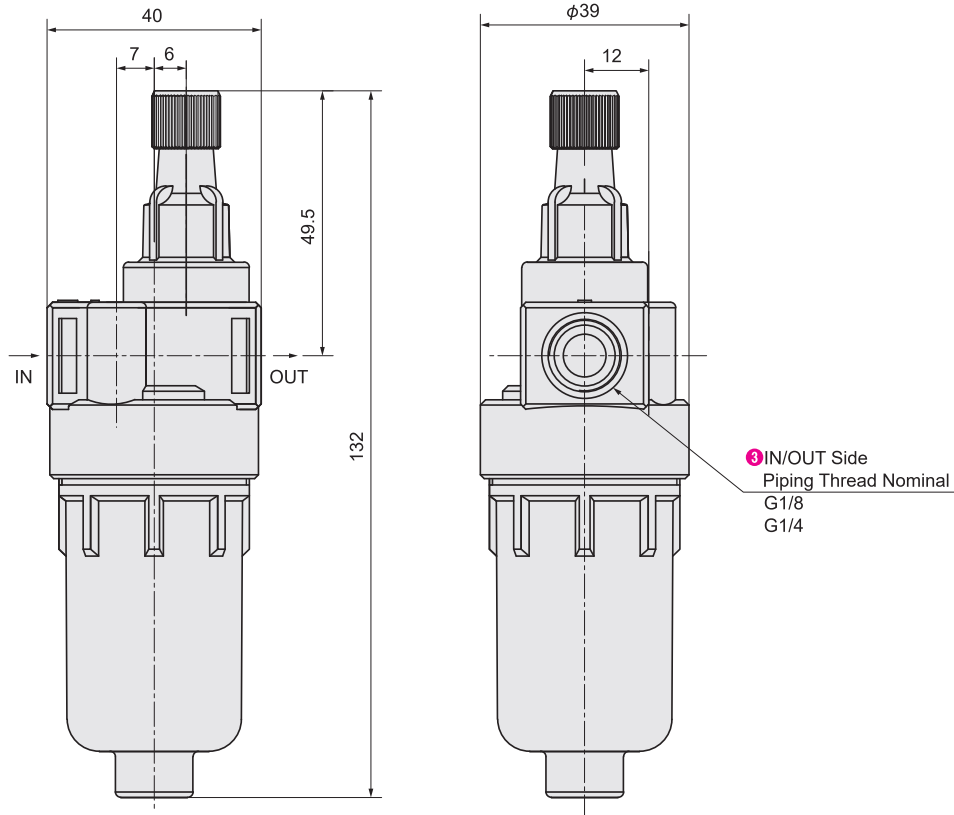
Quantity	1~9	10~14	15~
Discount	Unit Price	15%	30%



Shipping days may differ by Quantity.
Quantity of volume discount above is for representative Part No. It may differ by the Part.

Type	Material	Surface Treatment
Body	ADC	Painting
Oil Cup	PC	-
Oil Cup Cartridge	Brass	-
Up/Down Button	POM	-
Oil Window Cover	POM	-
Oil Window	PC	-
Cup Cover	Cold Rolled Sheet	Painting

E-ML1 (2 MINI)



How to search on website



By Type: Search on MISUMI official website
E-ML

By Keyword: Step 1 Search on MISUMI official website
lubricator

Step 2 Select MISUMI economy series brand

MISUMI MISUMI economy

MISUMI contact

Tel: 038-959200 or 1382
Email: cs@misumi.co.th

MISUMI WEB "Chat"



Install MISUMI APP



14

Air Cylinders / Valves / Regulators / Shock Absorbers / O-Rings

Cylinders and Accessories
P.951

Shock Absorber
P.991

P.991

Rod End Bearings
P.999

P.999

Floating Joint
P.1004

P.1004

Silencer
P.1006

P.1006

Control Valves and Accessories
P.1007

P.1007

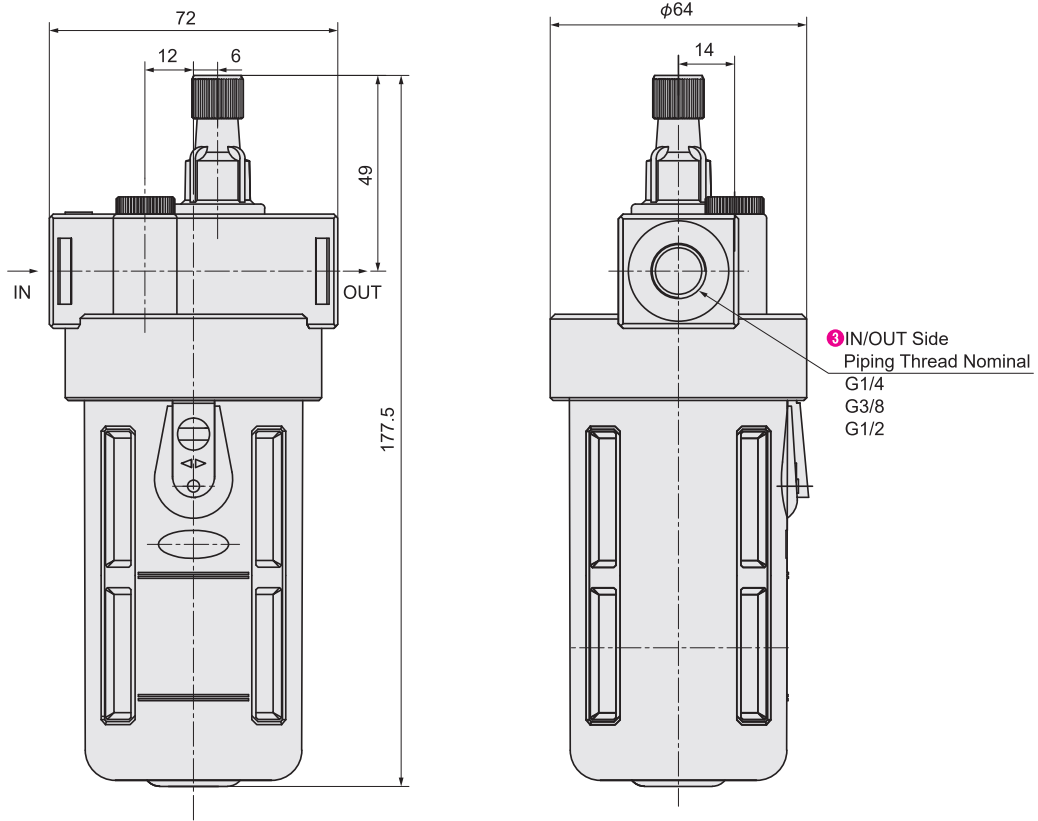
Air Source Handling
P.1015

P.1015

O-Rings
P.1027

P.1027

E-ML2 (2 MAXI)



Part Number		3 IN / OUT Side Piping Thread Nominal	4 Thread Type	Oil Cup Capacity	Medium	Recommended Operating Oil Grade Number	Max. Operating Pressure	Withstanding Pressure	Temperature Range	Mass (g)
1 Type	2 Capacity Size									
E-ML	1 (MINI)	1 (1/8)	G (Thread G)	25cc	Air	ISO VG32 Equivalent Oil	1MPa (145Psi)	1.5MPa (215Psi)	-5~70°C	127
		2 (1/4)								
	2 (MAXI)	2 (1/4)		90cc						
		3 (3/8)								
		4 (1/2)								

Ordering Example

Please order after selecting part number and parameters according to the selection steps 1 to 4.

Part Number (1 Type - 2 Capacity Size) - 3 Piping Thread Nominal - 4 Thread Type
 E-ML1 - 2 - G

14 Air Cylinders / Valves / Regulators / Shock Absorbers / O-Rings

Cylinders and Accessories P.951

Shock Absorber P.991

Rod End Bearings P.999

Floating Joint P.1004

Silencer P.1006

Control Valves and Accessories P.1007

Air Source Handling P.1015

O-Rings P.1027

MISUMI contact
 Tel: 038-959200 or 1382
 Email: cs@misumi.co.th

MISUMI WEB "Chat"

Install MISUMI APP

Representative model: E-PACK-GRF1.8-6.7

Save Up to **76%** vs Standard Type

219

THB



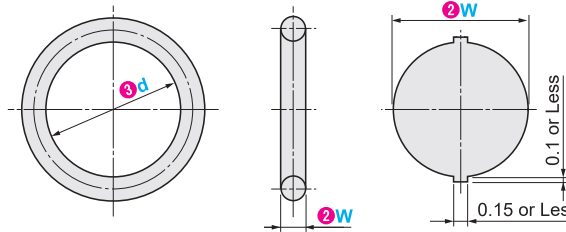
Volume Discount

Quantity	1~9	10~14	15~
Discount	Unit Price	15%	30%



Shipping days may differ by Quantity.
Quantity of volume discount above is for representative Part No. It may differ by the Part.

Type	Material	Hardness	Color	Wire Dia. W (mm)	I.D. d (mm)	Applicable Temperature Range	Intended Use
E-PACK-GRN	Nitrile Rubber	HS70±5	Black	1.8~7.0	1.8~250	-20°C~100°C	Mineral Resistant
E-PACK-GRF	Fluoro Rubber	HS75±5	Brown			-10°C~200°C	Heat Resistant, Chemical Resistant



Type	Ring Dia. W (mm)	Wire Dia. Tolerance (mm)	I.D. d (mm)	I.D. Tolerance (mm)	Type	Ring Dia. W (mm)	Wire Dia. Tolerance (mm)	I.D. d (mm)	I.D. Tolerance (mm)
E-PACK-GRN (Nitrile Rubber) E-PACK-GRF (Fluoro Rubber)	1.8	±0.08	1.8	±0.1	E-PACK-GRN (Nitrile Rubber) E-PACK-GRF (Fluoro Rubber)	2.65	±0.09	10.6	±0.17
			2	11.2					
			2.24	11.8					
			2.5	12.5					
			2.8	13.2					
			3.15	14					
			3.55	15					
			3.75	16					
			4	17					
			4.5	18					
			4.87	19					
			5	20					
			5.15	21.2					
			5.3	22.4					
			5.6	23.6					
			6	25					
			6.3	26.5					
			6.7	28					
			6.9	30					
			7.1	31.5					
7.5	32.5								
8	33.5								
8.5	34.5								
8.75	35.5								
9	36.5								
9.5	37.5								
10	38.7								
10.6	40								
11.2	41.2								
11.8	42.5								
12.5	43.7								
13.2	45								
14	46.2								
15	47.5								
16	48.7								
17	50								
18	51.5								
19	53								
20	54.5								
21.2	56								
22.4	58								
23.6	60								
25	61.5								
26.5	63								
28	67								
30	71								
32.5	75								
34.5	80								
36.5	85								
38.7	90								
42.5	95								
46.2	100								
50	106								

14
Air Cylinders / Valves / Regulators / Shock Absorbers / O-Rings

Cylinders and Accessories
P.951

Shock Absorber
P.991

Rod End Bearings
P.999

Floating Joint
P.1004

Silencer
P.1006

Control Valves and Accessories
P.1007

Air Source Handling
P.1015

O-Rings
P.1027



By Search on MISUMI official website
Type **E-PACK-GRF**

By Step 1 Search on MISUMI official website
Keyword **o ring**

Step 2 Select MISUMI economy series brand



① Type	② Ring Dia. W (mm)	Wire Dia. Tolerance (mm)	③ I.D. d (mm)	I.D. Tolerance (mm)
E-PACK-GRN (Nitrile Rubber) E-PACK-GRF (Fluoro Rubber)	2.65	±0.09	112	±0.65
			118	
			125	
			132	±0.9
			140	
			150	
			18	±0.17
			19	
			20	
			21.2	±0.22
			22.4	
			23.6	
			25	
			26.5	
	28			
	30			
	31.5	±0.3		
	32.5			
	33.5			
	34.5			
	35.5			
	36.5			
	37.5			
	38.7	±0.36		
	40			
	41.2			
	42.5			
	43.7			
	45			
	46.2			
	47.5			
	48.7	±0.44		
	50			
	51.5			
	53			
	54.5			
	56			
	58			
	60			
	61.5	±0.53		
	63			
	65			
	67			
	69			
	71			
	73			
	75			
77.5	±0.65			
80				
82.5				
85				
87.5				
90				
92.5				
95				
97.5	±0.65			
100				
103				
106				
109				
112				
115				
118				
122	±0.9			
125				
128				
132				
136				
140				
145				
150				
155	±1.2			
160				
165				
170				
175				
180				
185				
190				
195	±0.3			
200				
40				
41.2		±0.36		
42.5				
43.7				
45				
46.2				
47.5				

① Type	② Ring Dia. W (mm)	Wire Dia. Tolerance (mm)	③ I.D. d (mm)	I.D. Tolerance (mm)
E-PACK-GRN (Nitrile Rubber) E-PACK-GRF (Fluoro Rubber)	5.3	±0.13	48.7	±0.36
			50	
			51.5	
			53	±0.44
			54.5	
			56	
			58	±0.53
			60	
			61.5	
			63	±0.65
			65	
			67	
			69	
			71	
	73			
	75			
	77.5	±0.9		
	80			
	82.5			
	85			
	87.5			
	90			
	92.5			
	95	±1.2		
	97.5			
	100			
	103			
	106			
	109			
	112			
	115	±0.65		
	118			
	122			
	125			
	128			
	132			
	136			
	140	±0.9		
	145			
	150			
	155			
	160			
	165			
	170			
	175	±0.9		
	180			
	185			
190				
195				
200				
206				
212	±1.2			
218				
224				
230				
236				
243				
250				

- 14**
- Air Cylinders / Valves / Regulators / Shock Absorbers / O-Rings
- Cylinders and Accessories
- P.951
- Shock Absorber
- P.991
- Rod End Bearings
- P.999
- Floating Joint
- P.1004
- Silencer
- P.1006
- Control Valves and Accessories
- P.1007
- Air Source Handling
- P.1015
- O-Rings
- P.1027



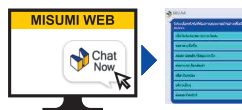
Please order after selecting part number and parameters according to the selection steps ① to ③.

Part Number (① Type) - Wire Dia. W (②) - I.D. d (③)
 E-PACK-GRF - 1.8 - 6.7

MISUMI contact

Tel: 038-959200 or 1382
 Email: cs@misumi.co.th

MISUMI WEB "Chat"



Install MISUMI APP

